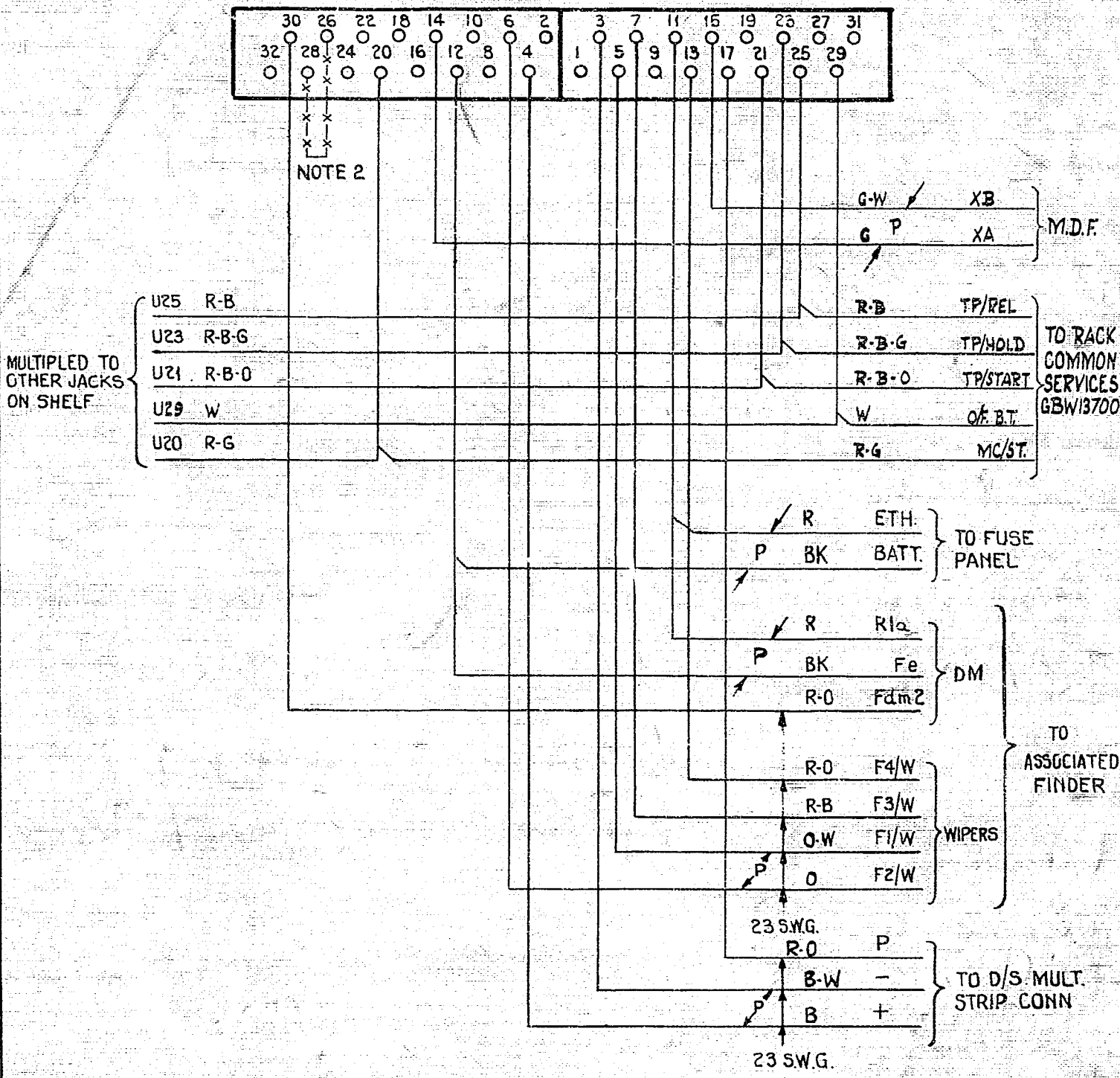


AS SEEN FROM REAR



NOTES

1. SHELF JACK U POINTS U9&U11 TO MAKE CONTACT WHEN RELAY SET IS REMOVED.
2. WHEN RESISTANCE OF JUNCTION EXCEEDS 200<sup>Ω</sup> INSERT STRAP SHOWN -x-x-x-
3. ALL WIRE UNLESS OTHERWISE SPECIFIED TO BE 20 S.W.G.

				<b>BOTHWAY JUNCTION RELAY SET</b>	
				<b>MULTI-PARTY LINE UNIT</b>	
				<b>U.A.X. N.Z.13R</b>	
U16 B.T. DELETED, U29 O/F. B.T. ADDED		2	20.12.54	CMW	
(34-065)		1	20.12.54	"	
AMENDMENT PARTICULARS		ISSUE	DATE	APP'D	50V C
N.Z.P.O.		A.M.		<i>Handwritten signature</i>	<b>GBU. 13670.</b>