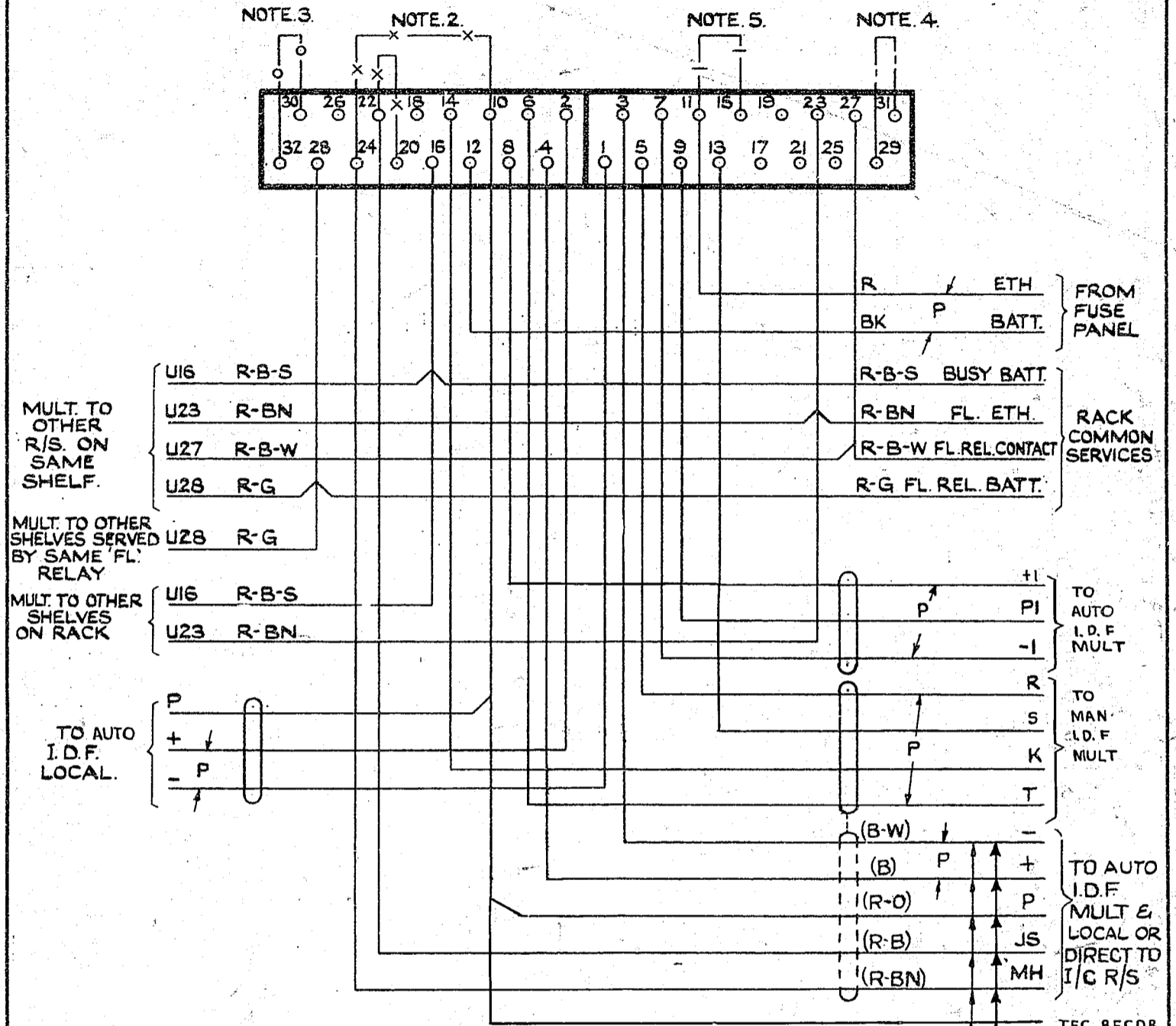


AS SEEN FROM REAR



NOTES.

1. SHELF JACK U POINTS 9 & 11, 14 & 16 MAKE CONTACT WHEN RELAY SET IS REMOVED
2. FOR UNIDIRECTIONAL WORKING ADD WIRING SHOWN THUS. — X — X —
3. WHEN JUNCTION RESISTANCE EXCEEDS 500Ω ADD WIRING SHOWN THUS — o — o —
4. WHEN A MULTI-METERING RELAY SET IS USED IN CONJUNCTION WITH THIS CIRCUIT DISCONNECT WIRING SHOWN THUS. — — —
5. WHEN CIRCUIT IS ASSOCIATED WITH AN UNDER 3db UNREPEATERED LINE ADD WIRING SHOWN THUS — | — | —
6. ALL WIRING UNLESS OTHERWISE SPECIFIED TO BE 22 SWG
7. FOR I.V.F. JUNCTIONS THESE LEADS ARE NOT USED

		(66564)				O/G JUNCTION RELAY SET WITH BOTHWAY SWITCHING TO UAX. N.Z. NO.13. PARENT FOR S.C.S. SW. BD. 2000 TYPE.	
ALTERNATIVE TERMINATIONS TO I/C R/S LEADS REVISED		4	21.3.63	DBH			
NOTE 7. ADDED		3	26.1.62	MLB			
CABLING REVISED. TFC. RECDR WIRING ADDED (68216)		2	29.11.56	CWH			
NOTE 6 AMENDED		1	24.12.54	CWH			
(34077)							
AMENDMENT PARTICULARS		ISSUE	DATE	APPD.	REF: GSS. 21.17	50%	W
N.Z.P.O.		DRAWN		CHECKED	WIRING	CIRCUIT	
						GBU 13620	