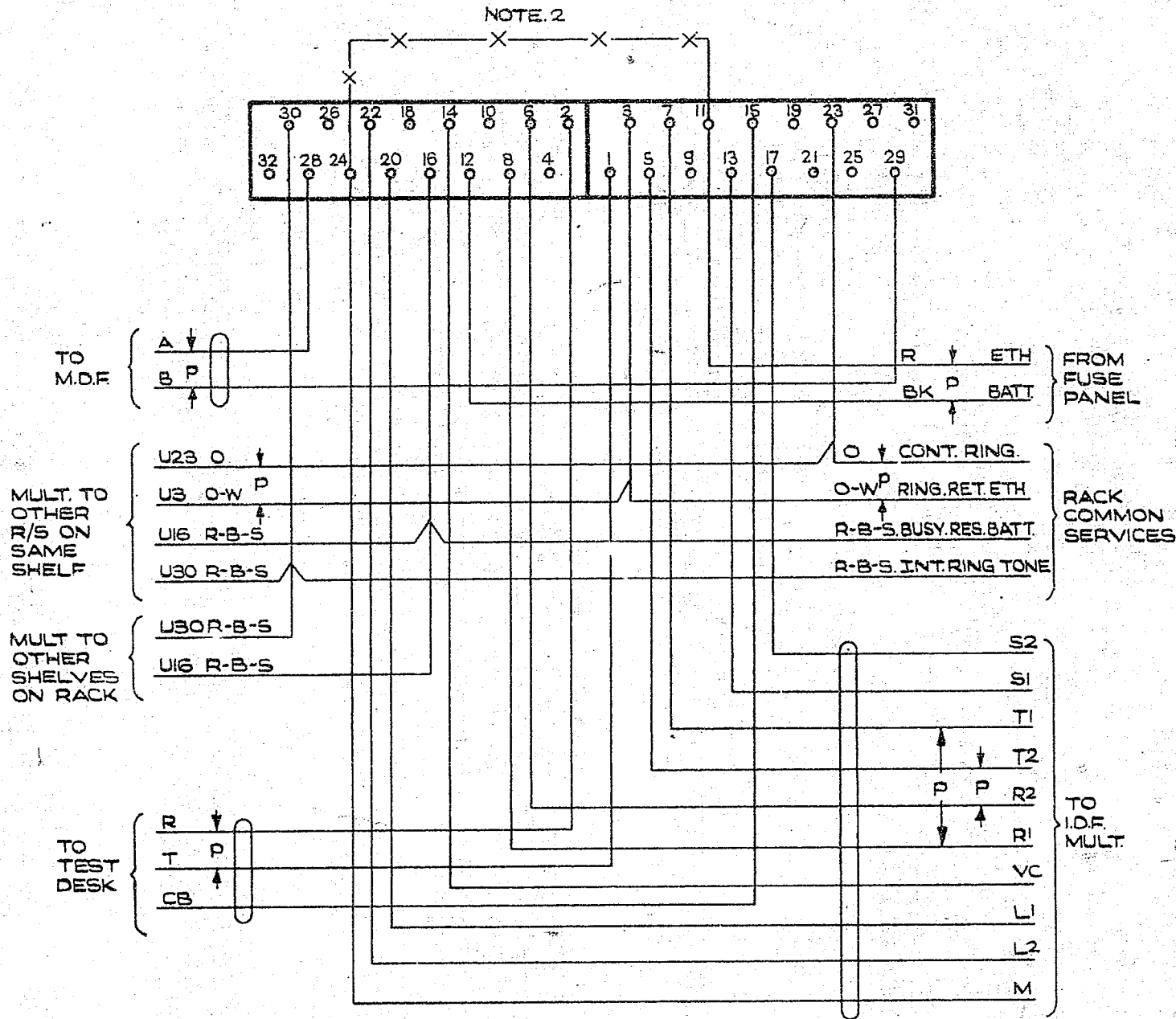


AS SEEN FROM REAR

NOTE. 2



NOTES:-

1. SHELF JACK U POINTS 9 & 11, 14 & 16, MAKE CONTACT WHEN RELAY ET-16 IS REMOVED.
2. WHEN METERING IS NOT REQUIRED ADD WIRING SHOWN THUS — X — X —
3. ALL WIRING TO BE 20 SWG. UNLESS OTHERWISE SPECIFIED.

				HOSPITAL CIRCUITS FOR RURAL AUTOMATIC LINES WE. CO. TYPE MANUAL BOARD			
(34076)				1	24.12.54	CWN	
AMENDMENT PARTICULARS				ISSUE	DATE	APPRO	50V W
NZPO		DRAWN JB	CHECKED	WIRING AP	CIRCUIT Kia	GBU 13610	

