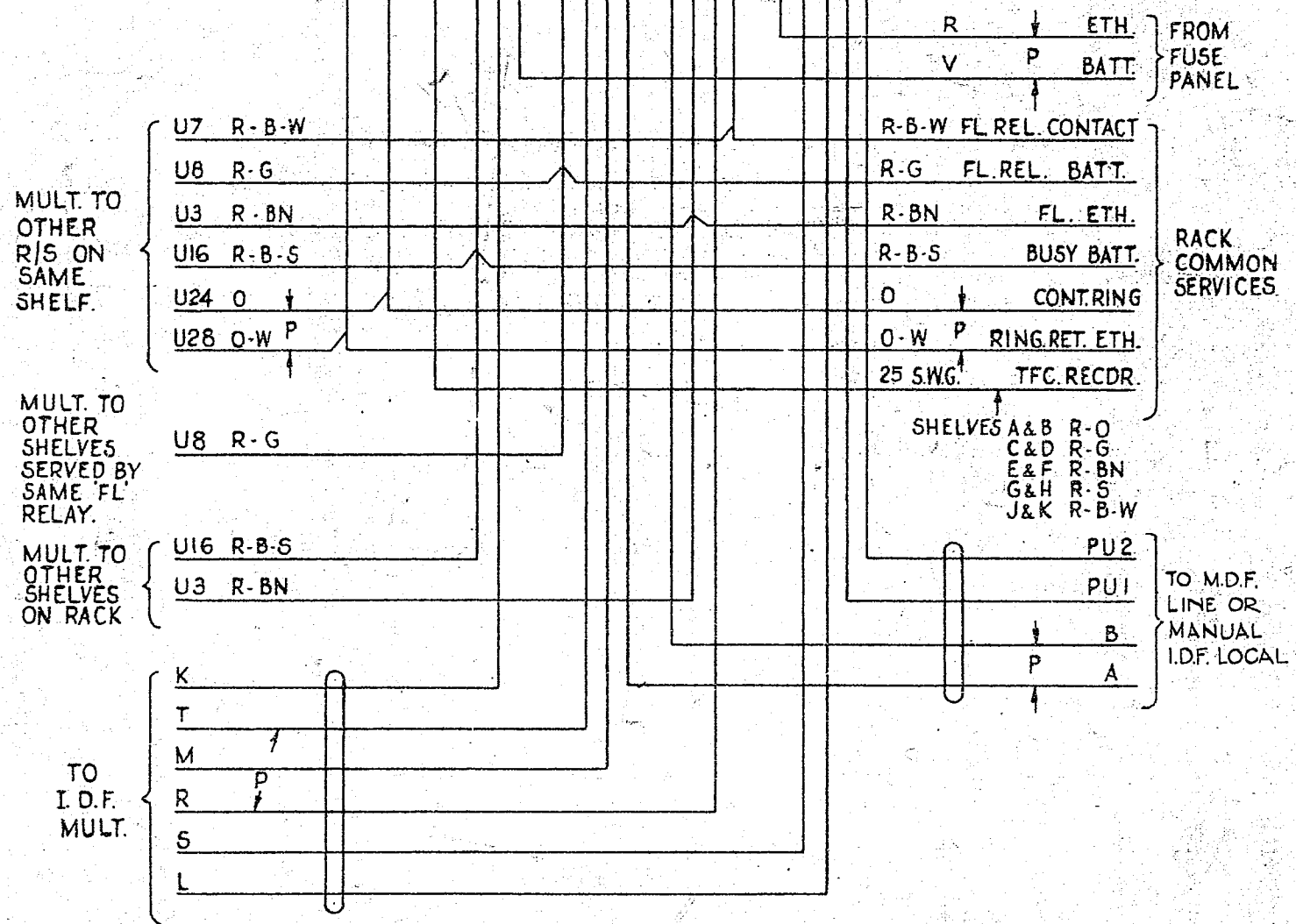
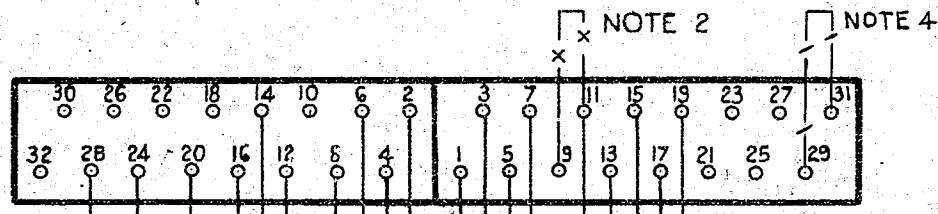


AS SEEN FROM REAR



NOTES

1. SHELF JACK U POINTS 9 & 11, 14 & 16 MAKE CONTACT WHEN RELAY SET IS REMOVED.
2. WHEN CIRCUIT IS ASSOCIATED WITH AN UNDER 3db UNREPEATERED LINE ADD WIRING SHOWN THUS —X—X—
3. ALL WIRING 22 SWG. UNLESS OTHERWISE SPECIFIED.
4. WHEN CIRCUIT IS USED AS AN EMERGENCY B/W JUNCTION, GENERATOR SIGNALLING, STRAP U29-U31.
5. ON SOME EARLY EQUIPMENT BATT. WIRING COLOUR IS BK.

				JUNCTION RELAY SET BOTHWAY TO R.A.X. SLEEVE CONTROL SYSTEM 2000 TYPE	
NOTE 4 MODIFIED. NOTE 5 ADDED. (93348)	5	18-4-69	<i>[Signature]</i>		
NOTE 4 ADDED (69850)	4	24-1-64	<i>[Signature]</i>		
TO M.D.F. LINE ETC. WAS TO M.D.F. LINE (35993)	3	23-11-60	<i>[Signature]</i>		
M.D.F. LINE WAS I.D.F. LOCAL (34075)	2	-	<i>[Signature]</i>		
AMENDMENT PARTICULARS	ISSUE	DATE	APPD	REF. G53.21.20	50 V. W
				<b>GBU 13560</b>	
N.Z.P.O.	DRAWN J.L.F.	CHECKED <i>[Signature]</i>	WIRING CIRCUIT <i>[Signature]</i>		

