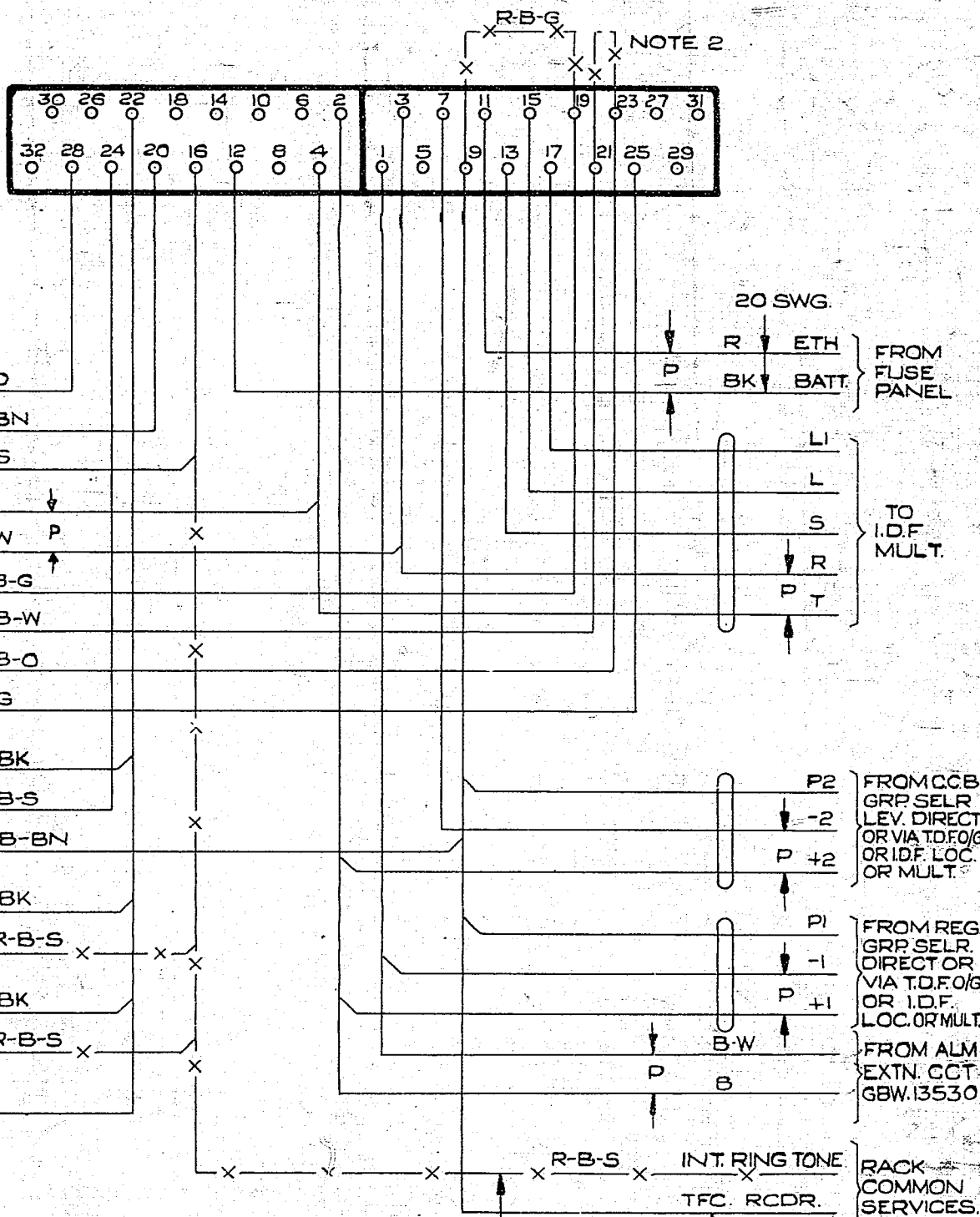


AS SEEN FROM REAR



NOTES:-

- SHELF JACK U POINT S & II MAKE CONT WHEN RELAY SET IS REMOVED.
- WHEN CONNECTED TO ADAPTOR CIRCUIT (FIG.1. GBW.13540) OMIT WIRING SHOWN THUS X
- ALL WIRING NOT OTHERWISE SPECIFIED TO BE 23 S.W.G
- WHEN WIRED TO THE NIGHT BUSYING CCT. THE FOLLOWING COLOURS ARE APPLICABLE:-

CCT	1	2	3	4	5	6	7	8	9	10
PRI	R-B-BN	R-B-S	R-BK	R-B	R-O	R-G	R-BN	R-S	R-B-W	R-B-O
NS1	R-B-O	R-B-G	R-B-BN	R-B-S	R-BK	R-B	R-O	R-G	R-BN	R-S
NS2	R-B-S	R-BK	R-B	R-O	R-G	R-BN	R-S	R-B-W	R-B-O	R-B-G

'O' LEVEL RELAY SET  
AMX. TO LOCAL MANUAL BOARD.  
WITH NIGHT SWITCHING TO MAIN  
2000 TYPE

				(65451)		8-8-55		CWS.			
AMENDMENT PARTICULARS				ISSUE DATE		APPR				50V W	
NZPO				DRAWN		CHECKED		WIRING		CIRCUIT	
										GBU. 13550	

