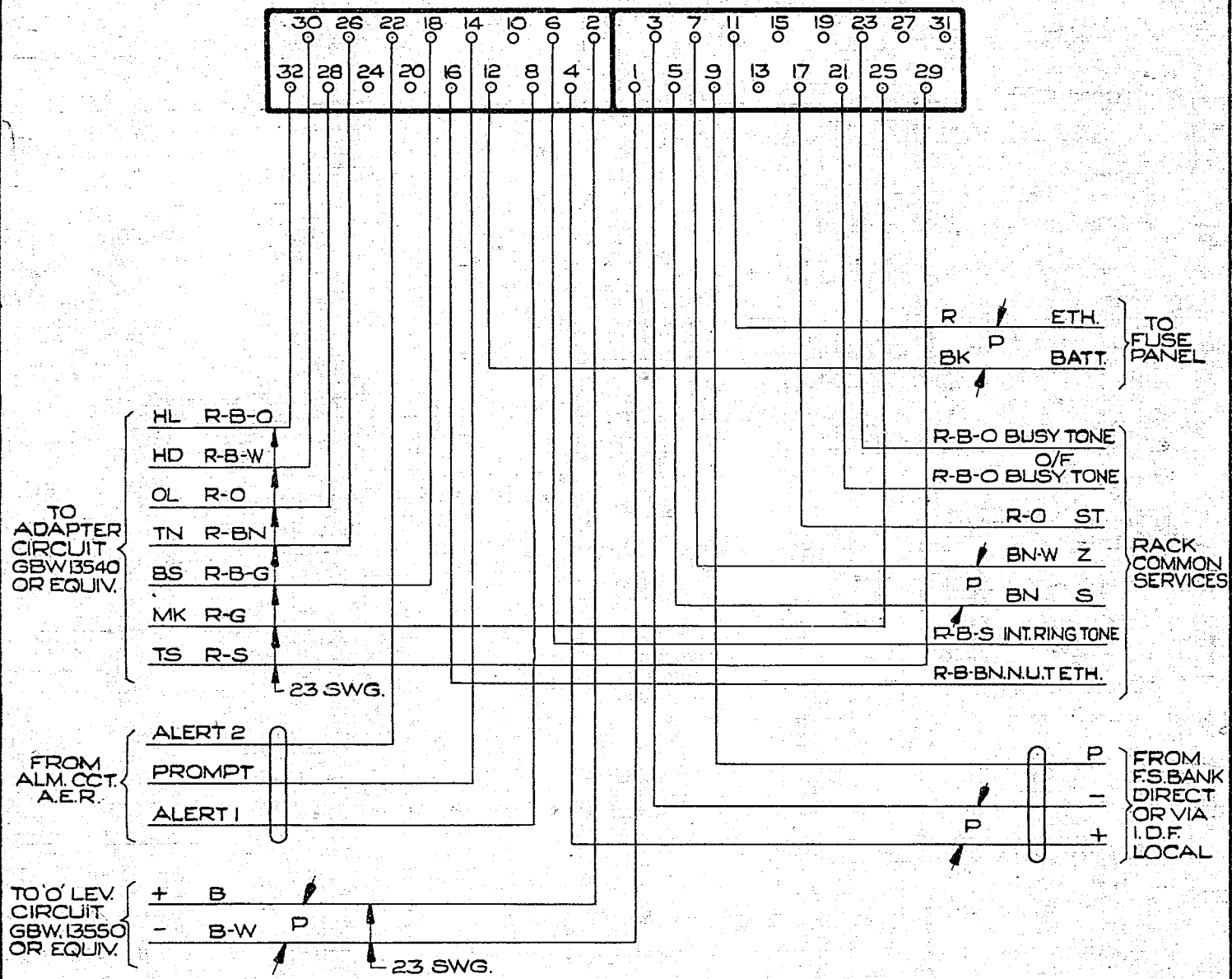


AS SEEN FROM REAR



NOTE

1. ALL WIRING TO BE 20 SW.G. UNLESS OTHERWISE SPECIFIED.

				NIGHT SWITCHING ALARM EXTENSION CIRCUIT. AMX. TO TMX. 2000 TYPE		
(65456)				1	8-8-55	CWN
AMENDMENT PARTICULARS				ISSUE	DATE	APPD
				50V	W	
DRAWN BY 1.5				CHECKED BY WIRING CIRCUIT		<b>GBU 13530.</b>

