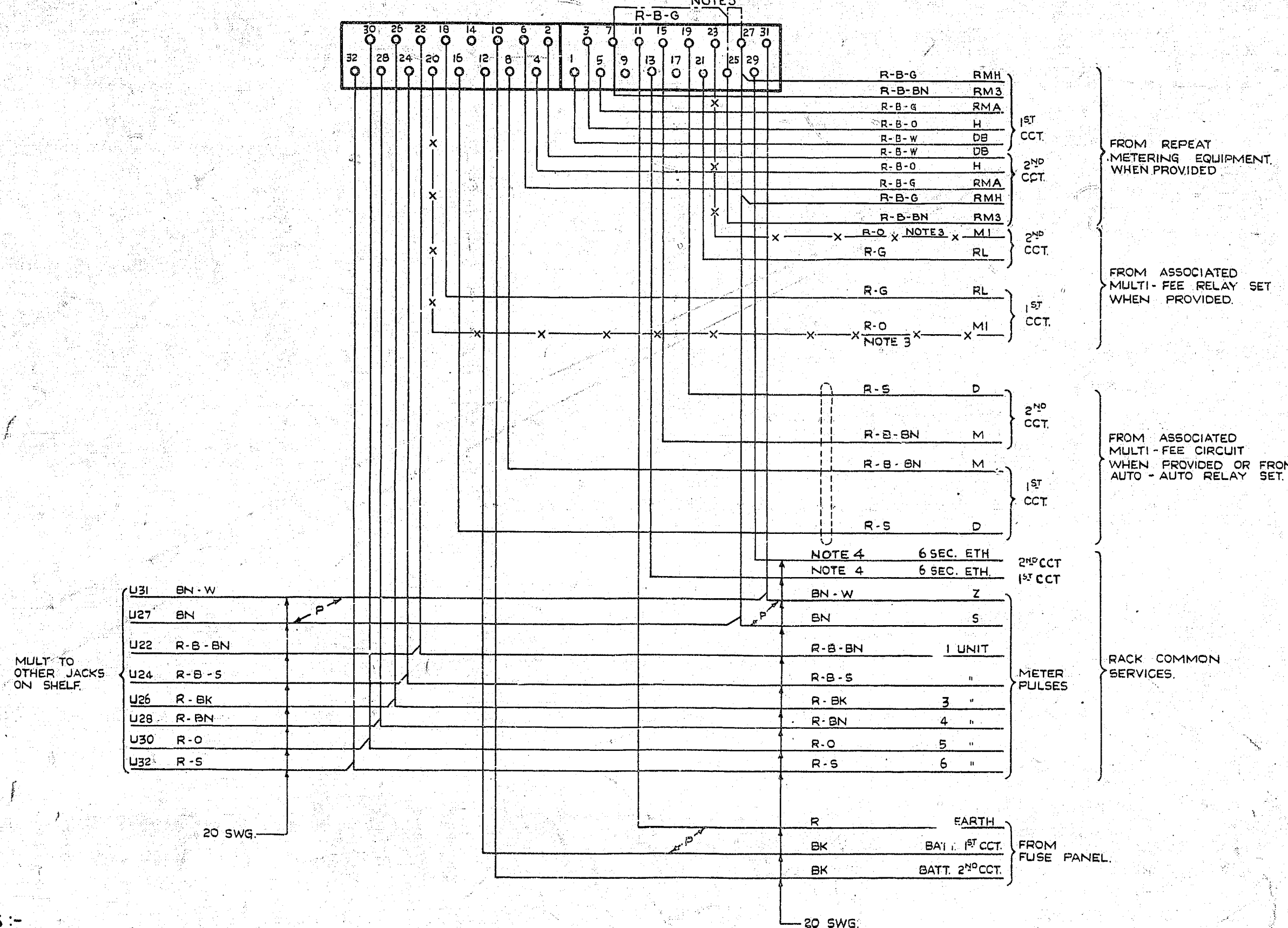


AS SEEN FROM REAR.



MULT TO OTHER JACKS ON SHELF.

NOTES :-

1. JACK POINTS 9 & 11 TO MAKE CONTACT WHEN RELAY SET IS REMOVED.
2. ALL WIRING TO BE 23 SWG. UNLESS OTHERWISE SPECIFIED.
3. FOR VARIABLE FEE WORKING ADD CONNECTIONS SHOWN THUS —X—X— FOR FIXED FEE WORKING STRAP U20 & U23 TO APPROPRIATE METER PULSE (U22, 24, 26, 28, 30, 32 FOR 1-6 UNITS RESPECTIVELY).
4. COLOURS FOR CIRCUITS 1-10 TO BE R-O, R-G, R-BN, R-S, R-B-W, R-B-O, R-B-G, R-B-BN, R-B-S, R-BK RESPECTIVELY.
5. WHEN REPEAT METERING EQUIPMENT IS NOT PROVIDED STRAP JACK POINTS 27-25-7 SHOWN THUS —X—X—

METERING CONTROL CIRCUIT			
FULL SATELLITE EXCHANGES.			
C LEADS DELETED. RM3 & RMH LEADS ADDED (30683)	2	26.5.55	CLM
(31667)	1	5.5.54	CLM
AMENDMENT PARTICULARS:	ISSUE DATE	APP'D	50V E
N.2 P.D.	DRAWN	CHECKED	WIRING CIRCUIT
GBU 13520			