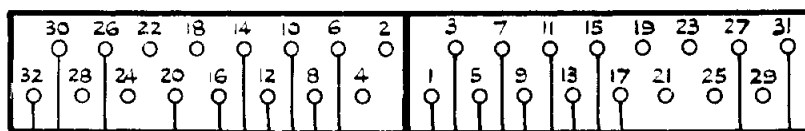


AS SEEN FROM REAR



- G CONT RING RET
- O INT RING RET
- R-G WARN TONE
- R-S PULSE START
- R-B BUSY ETH
- R-B O LINE START
- R-O DIAL TONE
- R-S BUSY TONE
- R-B W FLICKER ETH
- O-W INT RING
- R-B S RING TONE
- G-W CONT RING

TO RACK
COMMON
SERVICES

- R-B G U7
- R-G U6
- R-B J10

TO RING &
TONE CCT
GBW 13250
(OR EQUIV)

- R BK PG U14

TO CONN CCT
GBW 13160
(OR EQUIV)

- R O PGA NB24
- R-BN PGB A522

TO MISC CCTS
GBW 13270
(OR EQUIV)

- R B W TERM 15

TO MISC
STR P CONN

- R ETH
- BK BATT

TO FUSE
PANEL

- R-B G RP U14

TO ENQUIRY CCT
GBW 3170 (OR EQUIV)

- R-B BN ATP U18

TO EXCH LINE CCT
GBW 13220 (OR EQUIV)

- O CCT 1
- P O G 2
- B O 3
- P B O W 4

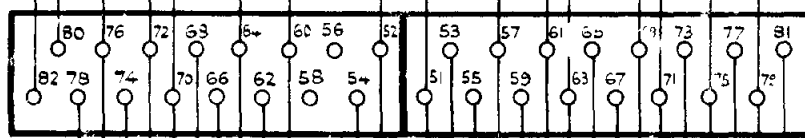
TO CONN CCTS
START CHAIN IN U 7
GBW 13160
(OR EQUIV)

- B G CCT 1
- P B G W 2
- R B S 3
- R-O 4
- R-BN 5

TO EXCH LINE
CCTS TP U16
GBW 13220
(OR EQUIV)

- W CCT 1
- P B G 2
- R W 3
- B-G W 4
- R S 5

TO EXCH LINE CCTS
START CHAIN IN U 7
GBW 13220
(OR EQUIV)



BTC

FIG 1A
20 LINE PA B X

NOTE
ALL WIRING NOT OTHERWISE SPECIFIED
TO BE 23 SWG

**PULSE CIRCUIT
20, 35 & 49,
LINE PA B Xs.**

(29856) 1 22 160 RWH

AMENDMENT PARTICULARS ISSUE DATE APP^D

SIZE F W

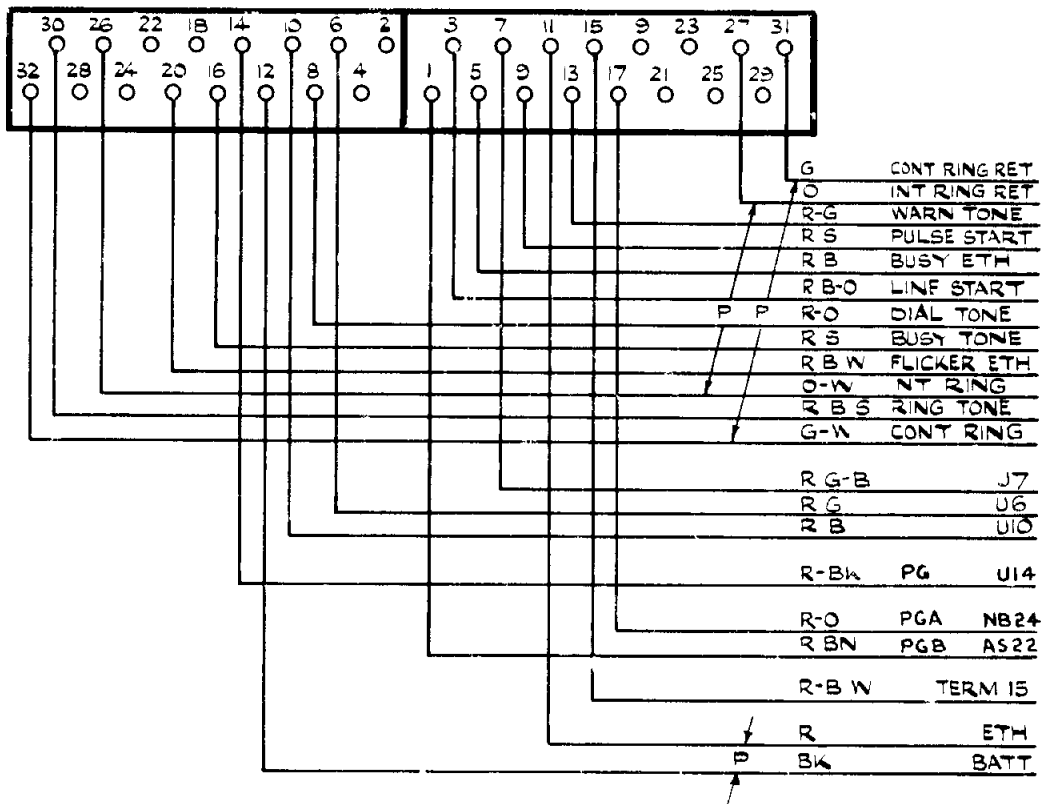
GBU 13260

NZPO

DRAWN / F CHECKED WIRING CIRCUIT

SHT 1 3

AS SEEN FROM REAR



TO RACK COMMON SERVICES

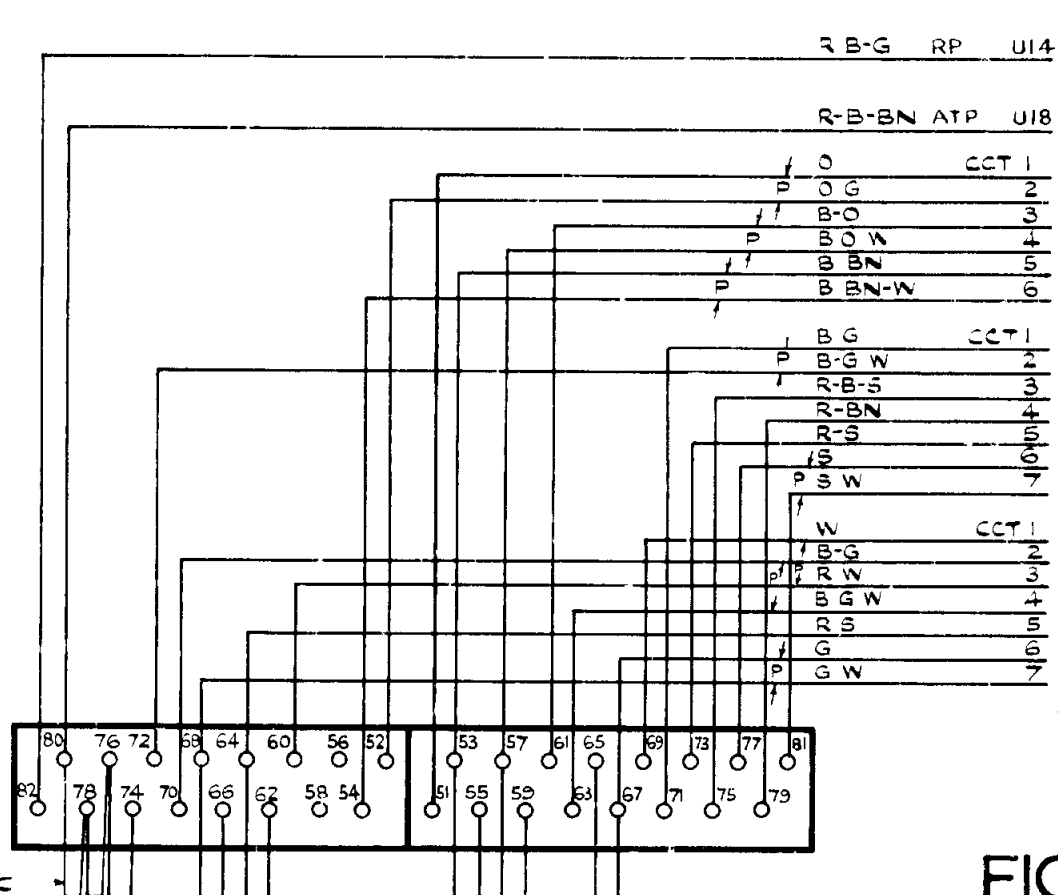
TO RING & TONE CCT GBW 13250 (OR EQUIV)

TO CONN CCT GBW 13190 (OR EQUIV)

TO MISC CCTS GBW 13270 (OR EQUIV)

TO MISC STRIP CONN

TO FUSE PANEL



TO ENQUIRY CCT GBW 13200 (OR EQUIV)

TO EXCH LINE CCT GBW 13220 (OR EQUIV)

TO CONN CCTS START CHAIN IN U17 GBW 13190 (OR EQUIV)

TO EXCH LINE CCTS TP U16 GBW 13220 (OR EQUIV)

TO EXCH LINE CCTS START CHAIN IN U17 GBW 13220 (OR EQUIV)

FIG 1B
35 LINE PA BX

NOTE
ALL WIRING NOT OTHERWISE SPECIFIED TO BE 23 SWG

					<p style="text-align: center;">PULSE CIRCUIT 20 35 & 49 LINE PA B Xs.</p>			
					(29856)	1	22 160	RC
AMENDMENT PARTICULARS					ISSUE	DATE	APPD	
					SIZE		F	W
					GBU		13260	
NZPO					DRAWN	CHECKED	WIRING	CIRCUIT
					1/F		S/S	
							SHT 2 3	

AS SEEN FROM REAR

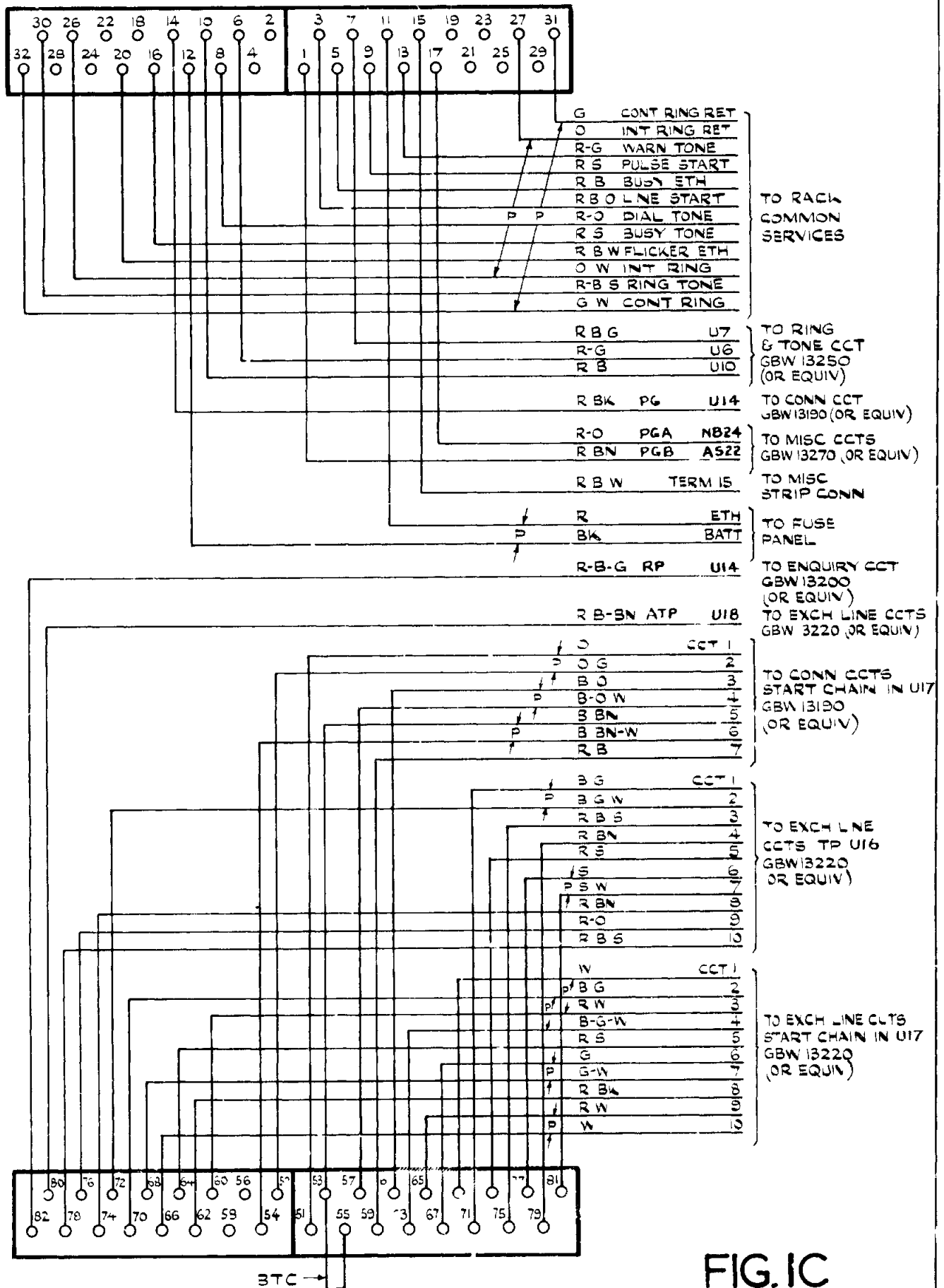


FIG. IC
49 LINE PAB X

NOTE
1 ALL WIRING NOT OTHERWISE SPECIFIED
TO BE 23S W G

					PULSE CIRCUIT 20 35 & 49, LINE PABXs		
		(29856)	1	22160	LWH		
AMENDMENT PARTICULARS			ISSUE	DATE	APPD	SIZE F	W
					GBU 13260		
NZPO		DRAWN / E	CHECKED <i>John</i>	WIRING	CIRCUIT	SHT.3-3	