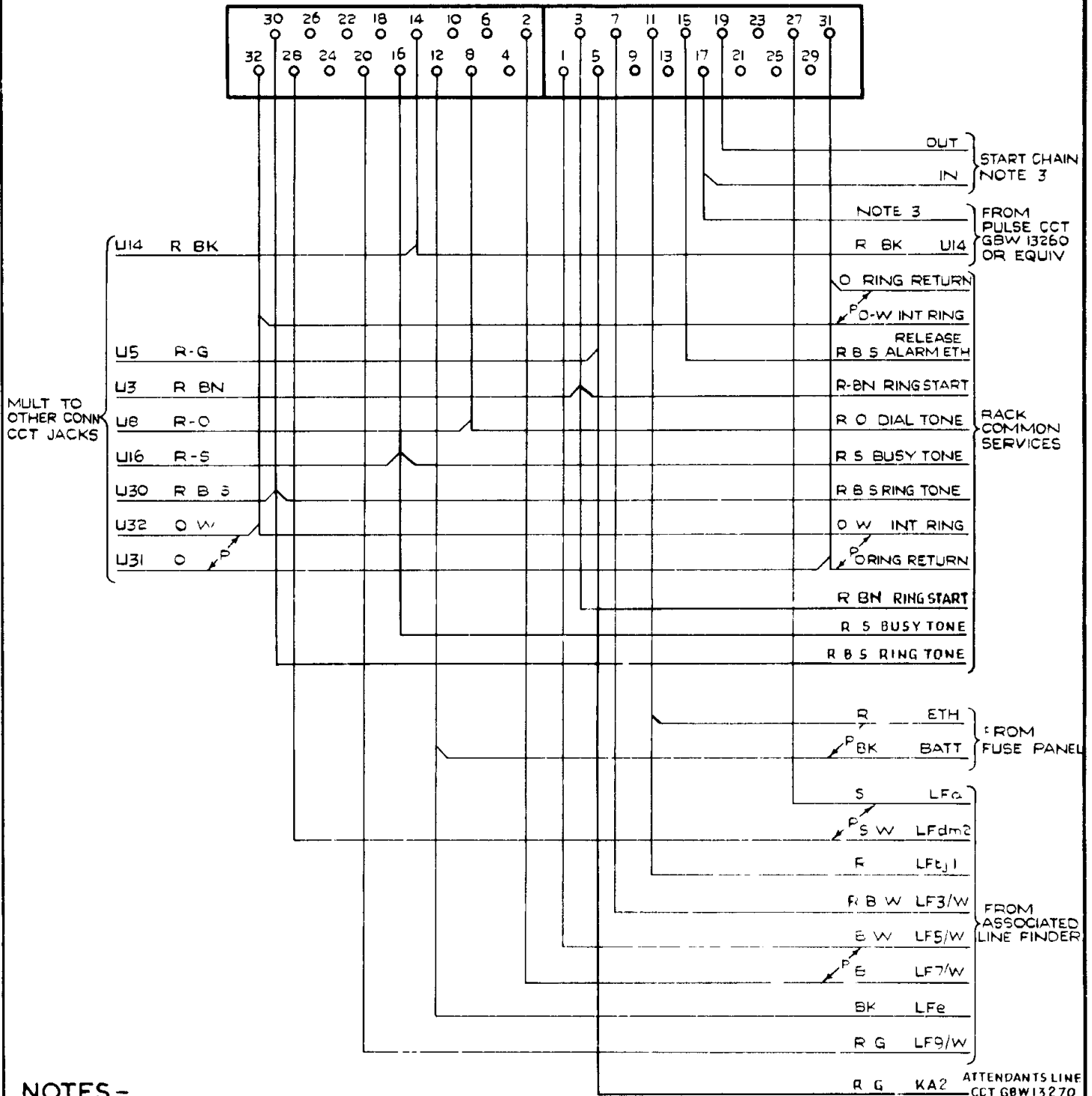


AS SEEN FROM REAR



NOTES -

- 1 SHELF JACK POINTS 9 1 & 17 19 TO MAKE CONTACT WHEN RELAY SET IS REMOVED
- 2 ALL WIRE TO BE 23 SWG UNLESS OTHERWISE SPECIFIED
- 3 START CHAIN CONNECTIONS -

35 LINE

49 LINE

U19 CCT TO	U17 CCT TO	PULSE CCT	COLOUR
1	5	U53	B-BN
2	6	U54	B BN W
4	1	U51	O
5	2	U52	O-G
6	3	U61	B-O
3	4	U57	B O W

U19 CCT TO	U17 CCT TO	PULSE CCT	COLOUR
1	5	U53	B BN
2	6	U54	B BN W
3	7	U59	R B
4	1	U51	O
5	2	U52	O-G
6	3	U61	B O
7	4	U57	B O W

35/49 LINE PABX CONNECTING CIRCUIT

(31667) 1 5554 CWH

AMENDMENT PARTICULARS

ISSUE DATE APPD

E

GBU 13190

NZPO

M/R W

DRAWN AT

CHECKED

WIRED

ENGINEER