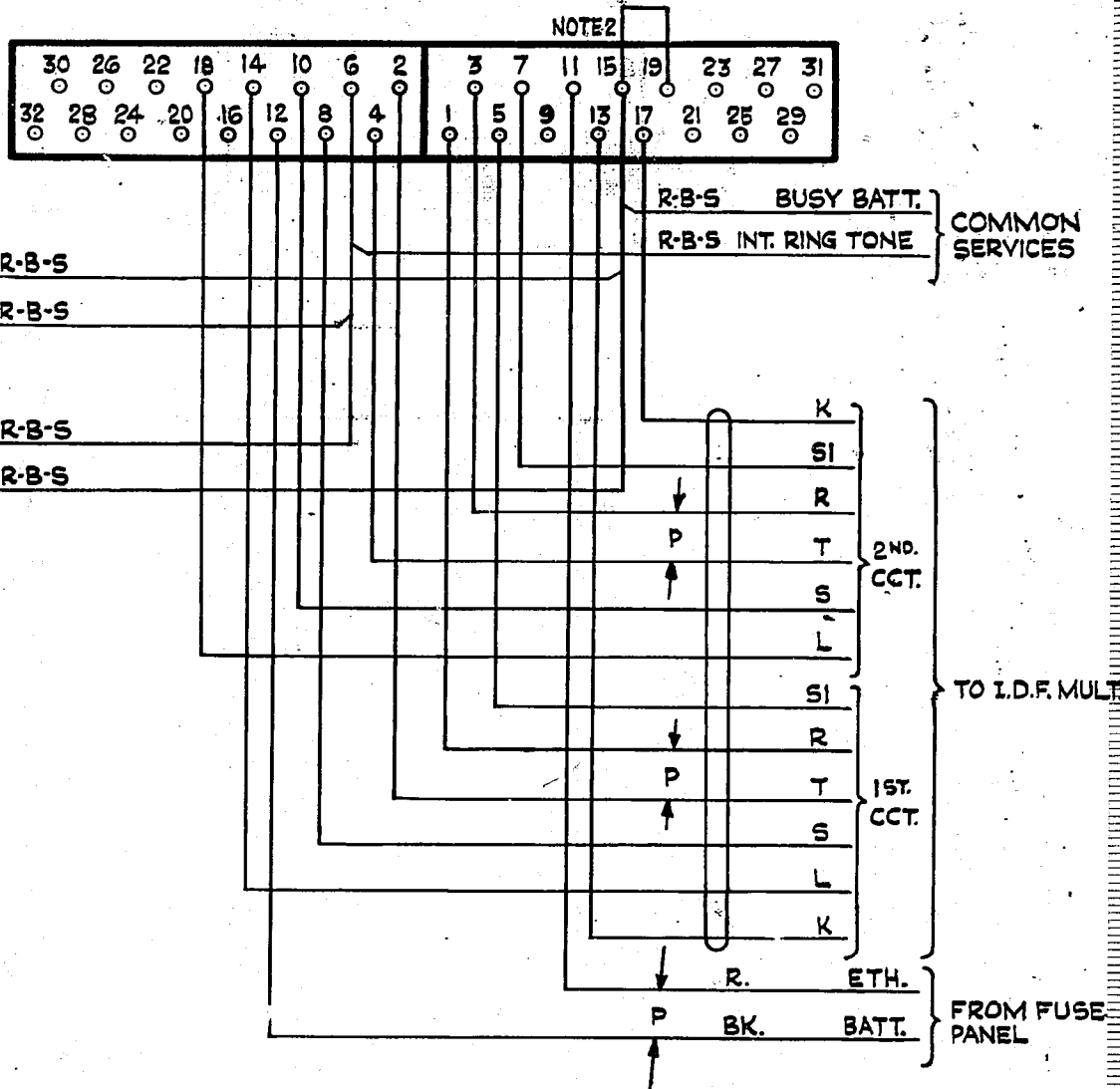


AS SEEN FROM REAR

NOTE 2



NOTES:~

1. ALL WIRING TO BE 20S.W.G. UNLESS OTHERWISE SPECIFIED.
2. SHELF JACK POINTS U9-U11, U13-U15 & U17-U19 MAKE CONTACT WHEN RELAY SET IS REMOVED.

RECORDING TRANSFER CIRCUIT				
SLEEVE CONTROL SYSTEM				
(31559)	1.	5-5-54	<i>curr</i>	
AMENDMENT PARTICULARS	ISSUE	DATE	APPD	REF: G53-12-18
				50Y <input type="checkbox"/>
			GBU 13120	
N.Z. P.O.	DRAWN <i>AM</i>	CHECKED <i>EJD 13/8</i>	WIRING <i>EJD</i>	CIRCUIT

Centimetres 10 15 20 25 30