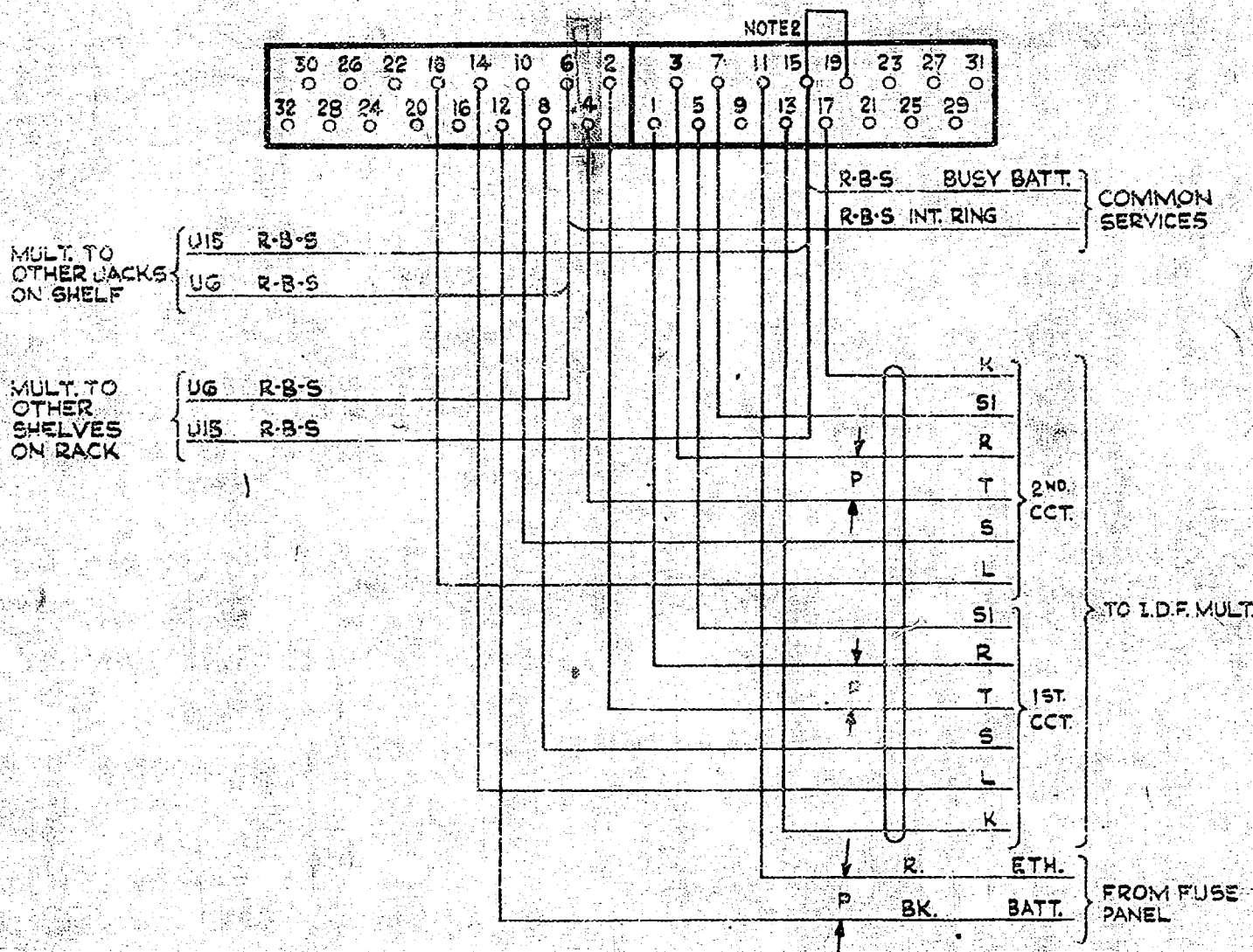


AS SEEN FROM REAR

0
5 Centimetres
10
15
20
25
30



NOTES:~

1. ALL WIRING TO BE 20S.W.G. UNLESS OTHERWISE SPECIFIED.
2. SHELF JACK POINTS U9-U11, U13-U15 & U17-U19 MAKE CONTACT WHEN RELAY SET IS REMOVED.

F.U. DANNEVIRKE

| | | | | | | | |
|-----------------------|--|---------|-------|----------------------------|---------|------------------|-------|
| | | | | RECORDING TRANSFER CIRCUIT | | | |
| | | | | SLEEVE CONTROL SYSTEM | | | |
| INT. RINGING PROVIDED | | (89021) | A | 14-10-68 | | | |
| AMENDMENT PARTICULARS | | | ISSUE | DATE | APPD | REF - GS3-12-18 | 50Y H |
| N.Z.P.O. | | DRAWN | REC'D | WIRING | CIRCUIT | GBU 13120 MOD. A | |