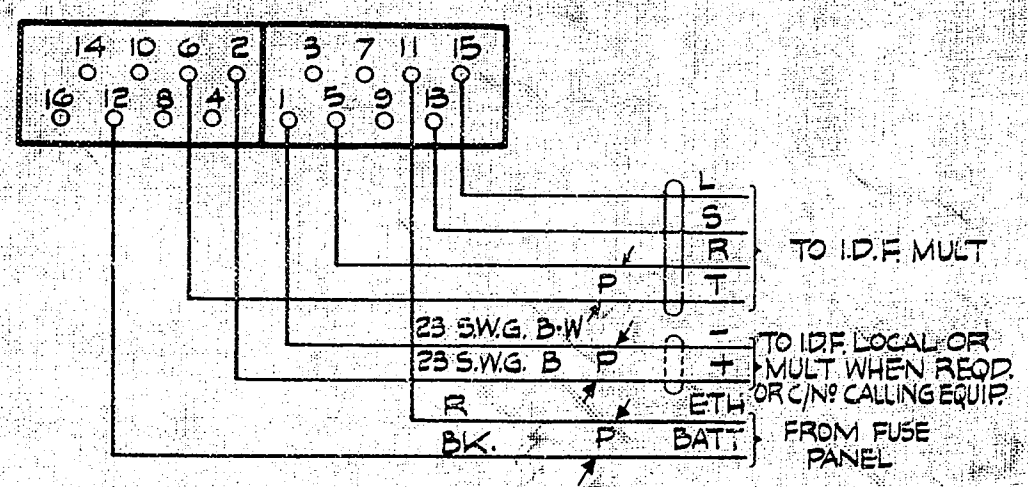


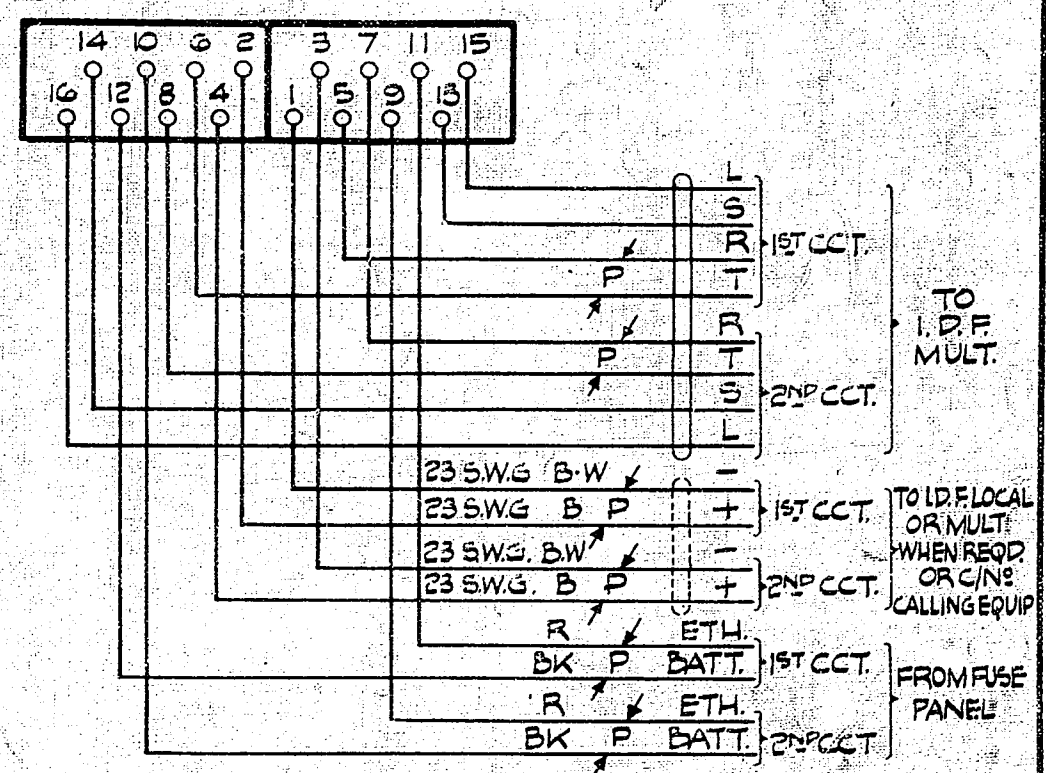
AS SEEN FROM REAR

FIG. 1



AS SEEN FROM REAR

FIG. 2



NOTES:-

1. ALL WIRING TO BE 20 SW.G. UNLESS OTHERWISE SPECIFIED.

CHANGED NUMBER MANUAL BOARD RELAY SET S.C.S. 2000 TYPE

		(31559)		11	5.5.54	AWM		
AMENDMENT PARTICULARS				ISSUE	DATE	APP'D	REF	50V
NZ.P.O.		DESIGN	CHECKED	WIRING	BY	GBU 13080		
		JL	EJD	EJD				

0
5 Centimetres
10
15
20
25
30