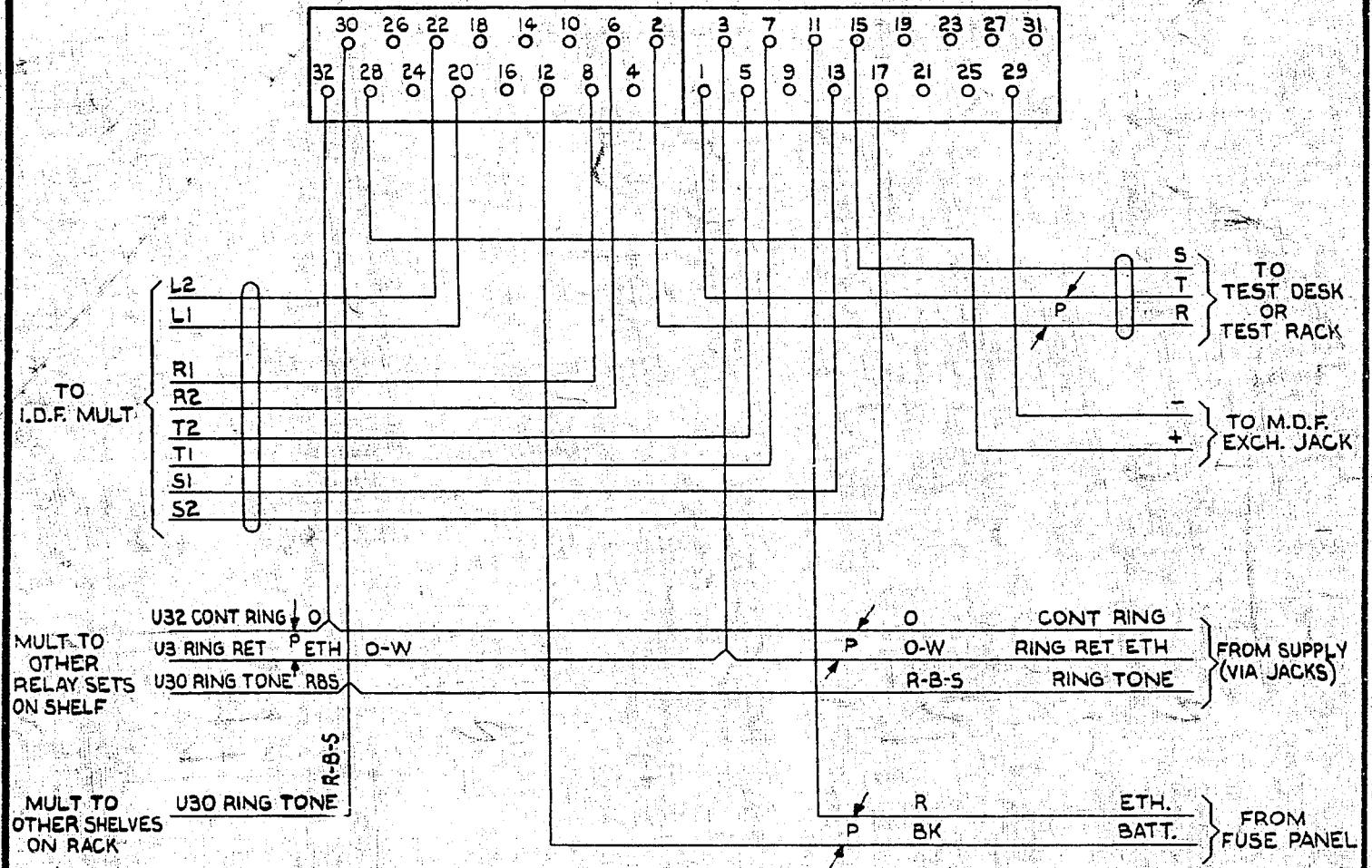


AS SEEN FROM REAR

NOTE 2



NOTES.

1. ALL WIRING NOT OTHERWISE SPECIFIED TO BE 20 S.W.G.
2. SHELF JACK U PTS. U9 & U11 TO MAKE CONTACT WHEN RELAY SET IS REMOVED. ON SOME EARLY SETS U14 & U16 MADE CONTACT.
3. DELETED.
4. DELETED.
5. DELETED.
6. DELETED.

				HOSPITAL CIRCUIT FOR RURAL AUTOMATIC LINES FOR USE AT EXCHANGES WITH A MANUAL BOARD 2000 TYPE		
REDRAWN. TITLE AMENDED. NOTES 3, 4, 5 & 6 DELETED.				4	14-2-64	NBH
AMENDMENT PARTICULARS				ISSUE	DATE	APP
				50V S		
N.Z.P.O.				DRAWN		CHECKED
				WIRING		CIRCUIT

GBU 12690

Centimetres

