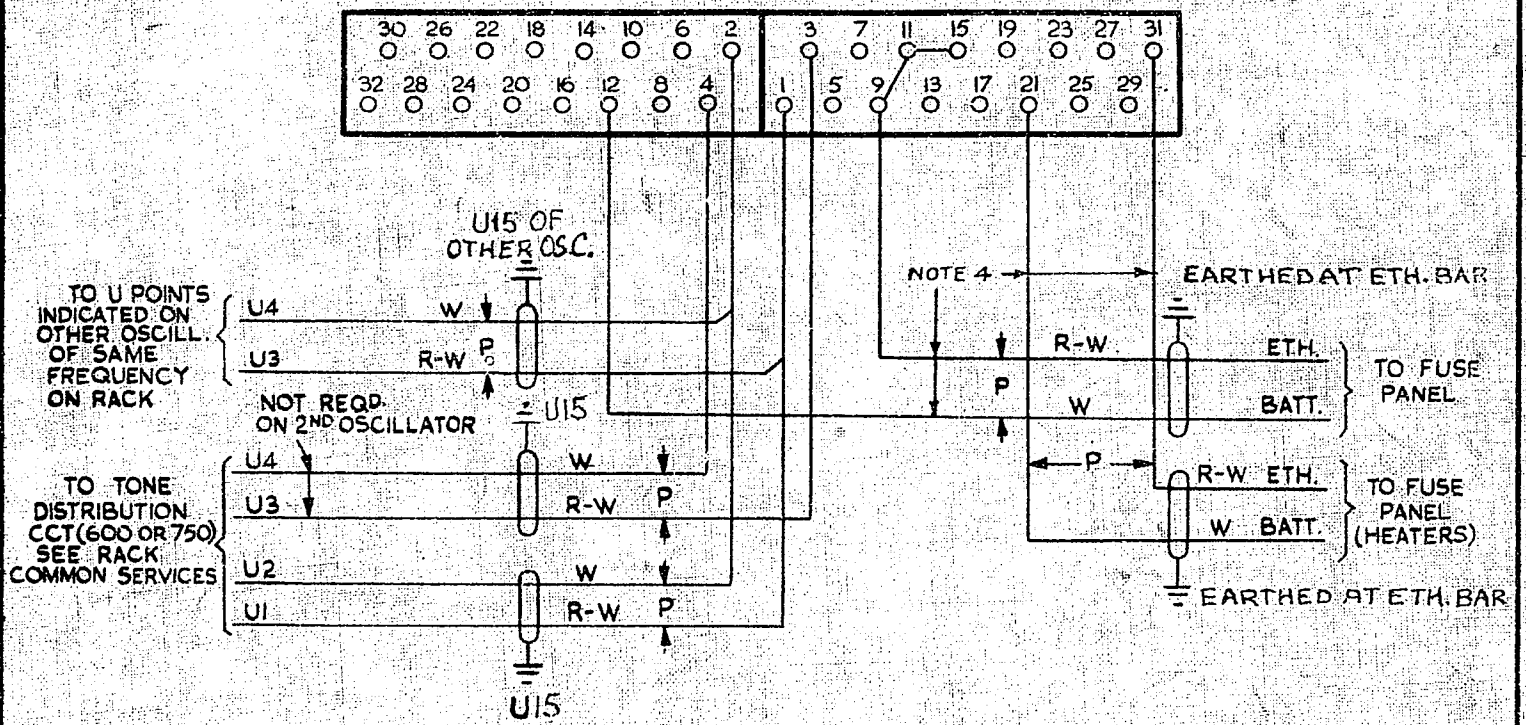


AS SEEN FROM REAR



- NOTE 1.** ALL WIRING NOT OTHERWISE SPECIFIED TO BE 20 SWG.
- 2.** SCREENED LEADS ARE TO BE EARTHED AT THE POINTS INDICATED.
- 3.** U POINTS 1 & 3, 2 & 4 TO MAKE WHEN RELAY SET IS REMOVED.
- 4.** THESE LEADS TO BE RUN ON THE RIGHT HAND SIDE OF RACK (REAR VIEW) ALL OTHER WIRING TO BE RUN ON THE LEFT HAND SIDE.

				FIXED FREQUENCY OSCILLATOR (WITH VARIABLE OUTPUT)	
NOTE 4 ADDED	(34958)	3	20-12-54	Curry	
SCREENING CLARIFIED	NOTE 2 AMENDED	2			
AMENDMENT PARTICULARS		ISSUE	DATE	APPD.	REF:-
					50V S
N.Z.P.O.		DRAWN C.T.S.	CHECKED J.P.	WIRING W.T.A.	CIRCUIT A.H.H.
GBU 12350					