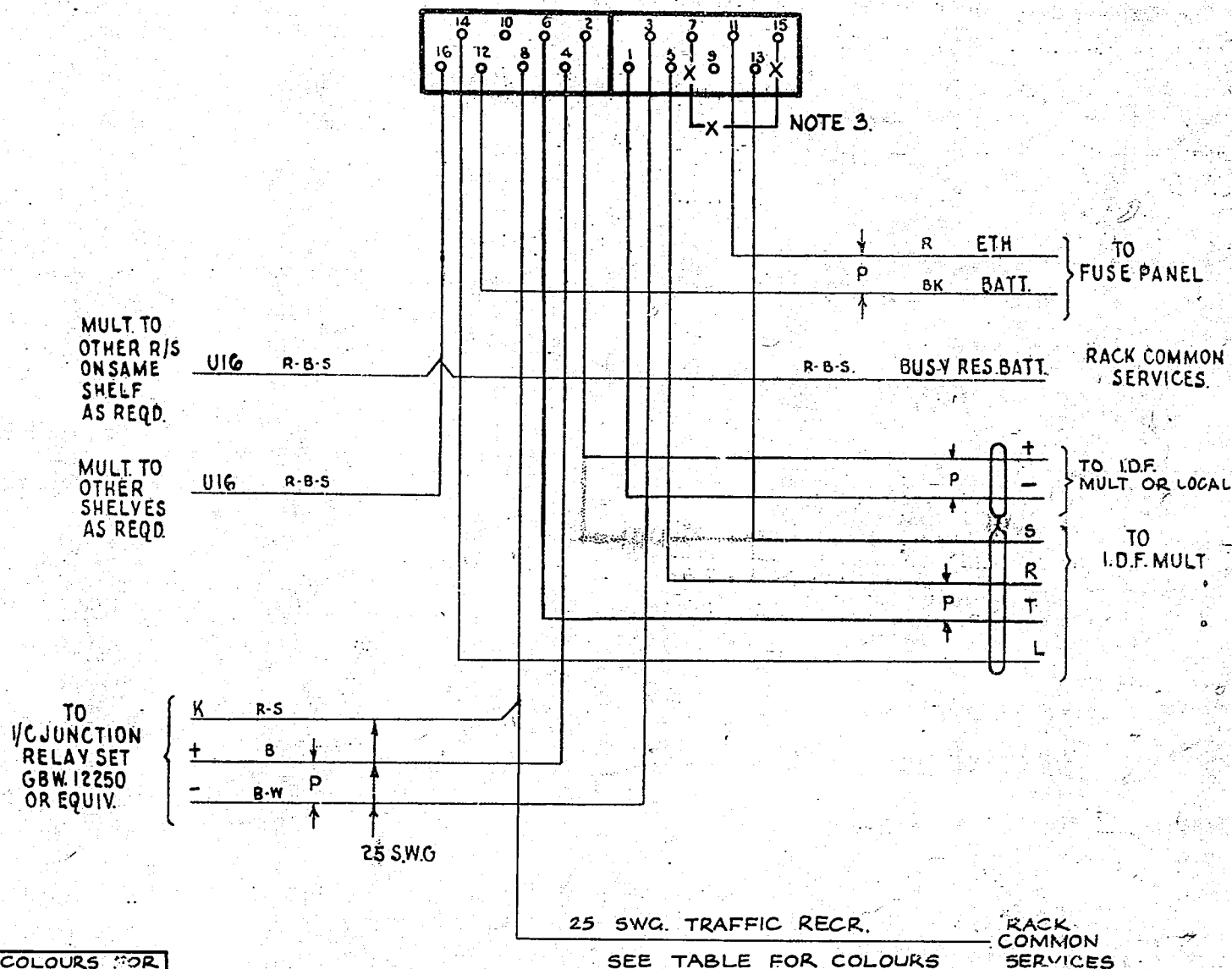


FIG. 1A BOTHWAY DC SIGNALLING.

AS SEEN FROM REAR



COLOURS FOR TRAFFIC REC. LEAD	
SHELF PAIR N ^o	COLOUR
1	R-O
2	R-G
3	R-BN
4	R-S
5	R-B-W

NOTES:

1. SHELF JACK UPOINTS 1&3, 2&4, 14&16 MAKE CONTACT WHEN RELAY SET IS REMOVED.
2. ALL WIRING 22 SWG. UNLESS OTHERWISE SPECIFIED.
3. STRAP U7-UI5 WHEN JUNCTION EXCEEDS 500^m

				O/G JUNCTION RELAY SET TOLL-A.M.X.	
				W.E. TYPE TOLL BOARD 2000 TYPE	
NOTE 3 & STRAP ADDED (41341)				4	17.4.61
FIG. A. TITLE, TRAFFIC RECR. LEAD & SHT 2 ADDED (35509)				3	23.11.60
F&C CABLING TO I.D.F. LOCAL ADDED (68941)				2	24.5.57
(31593)				1	4.5.54
AMENDMENT PARTICULARS.				ISSUE	DATE
				APP.	50V W
N.Z. P.O.				GBU.12260.	
DRAWN	CHECK ^d	WIRING	CIRCUIT		
E.G.				SHEET 1-2	

Centimetres

15

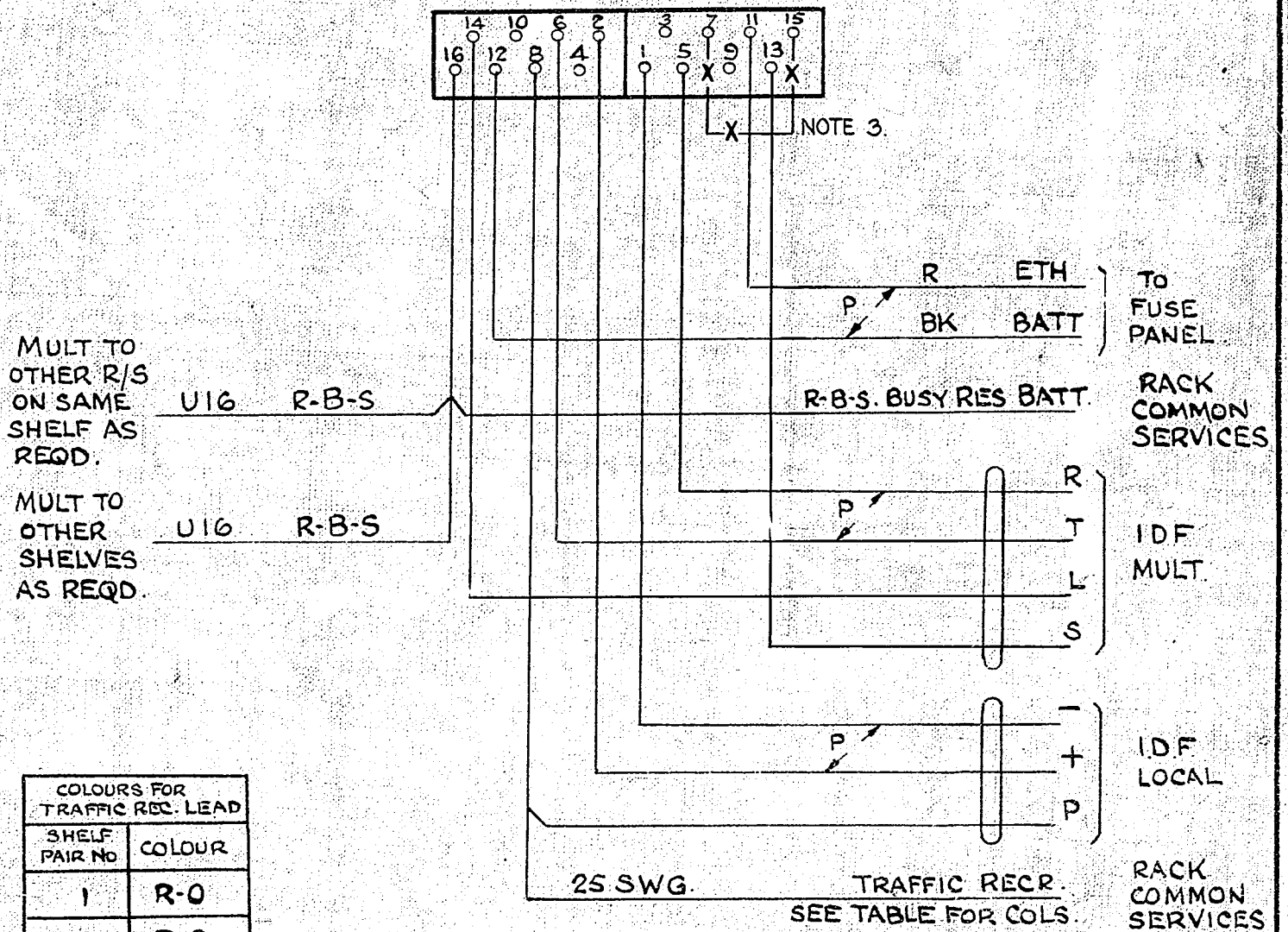
20

25

30

FIG.13. FOR I.V.F. UNIDIRECTIONAL JUNCTIONS.

AS SEEN FROM REAR



COLOURS FOR TRAFFIC RECR. LEAD	
SHELF PAIR No	COLOUR
1	R-O
2	R-G
3	R-BN
4	R-S
5	R-B-W.

- NOTES 1. SHELF JACK U POINTS 1 & 3, 2 & 4, 14 & 16
 MAKE CONTACT WHEN RELAY SET IS REMOVED.
 2. ALL WIRING 22 SWG. UNLESS OTHERWISE SPECIFIED.
 3. STRAP U7-U15 WHEN JUNCTION EXCEEDS 500ⁿ

				O/G JUNCTION RELAY SET. TOLL AM.X.	
				W.E. TYPE TOLL BOARD. 2000 TYPE.	
NOTE 3 AND STRAP ADDED.	(41341)	4	17.4.61	<i>W.S.</i>	
	(35500)	3.	29.11.60	<i>OK.</i>	
AMENDMENT PARTICULARS		ISSUE	DATE	APD	
G.P.O. APPROVED AS STANDARD					
N.Z.P.O.		DRAWN	CHECKED	WIRING	CIRCUIT
				<i>Ham</i>	<i>KEW</i>
				GBU 12260	
				SHEET 2-2	

