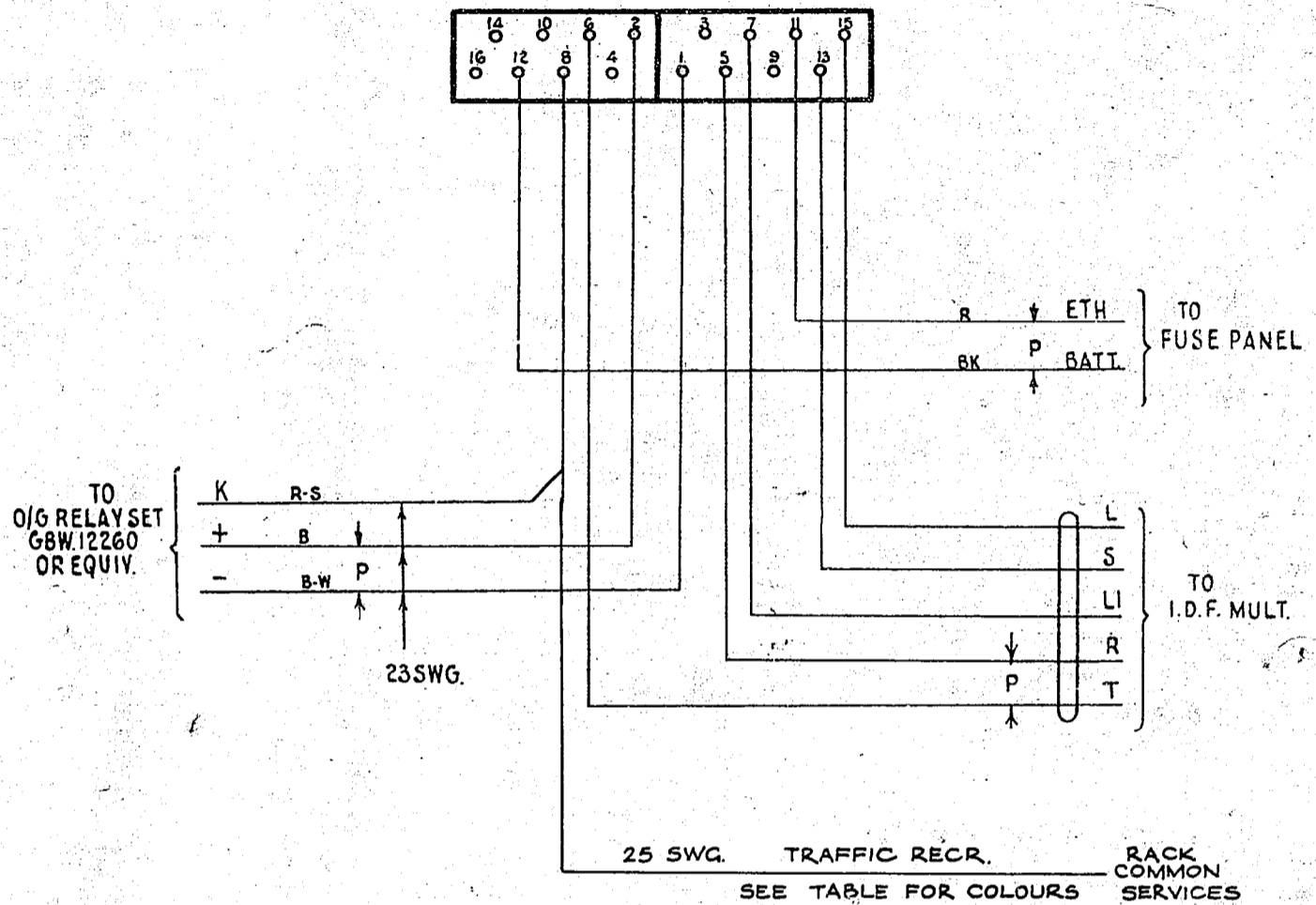


FIG. 1A BOTHWAY DC. SIGNALLING
AS SEEN FROM REAR



NOTES

1. ALL WIRING 20 SWG UNLESS OTHERWISE SPECIFIED.

COLOURS FOR TRAFFIC REC. LEAD.	
SHELF PAIR No	COLOUR
1	R-O
2	R-G
3	R-BN.
4	R-S
5	R-B-W.

				JUNCTION RELAY SET	
				I/C TOLL DEMAND FROM A.M.X.	
				W.E TYPE TOLL BOARD	
				2000 TYPE	
FIG. A TITLE, TRAFFIC RECR LEAD & SHT. 2 ADDED (35570)		2	28.11.60.	AK	
(31593)		1	4.5.54	cm	
AMENDMENT PARTICULARS		ISSUE	DATE	APP.	50V W.
				GBU. 12250.	
N.Z.P.O.	DRAWN	CHECKED	WIRING	CIRCUIT	SHEET 1/2

Centimetres

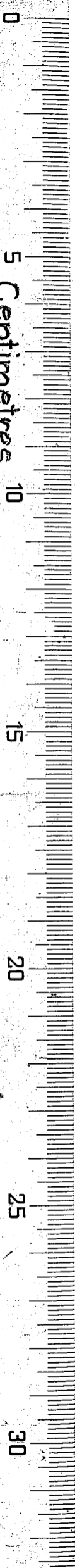
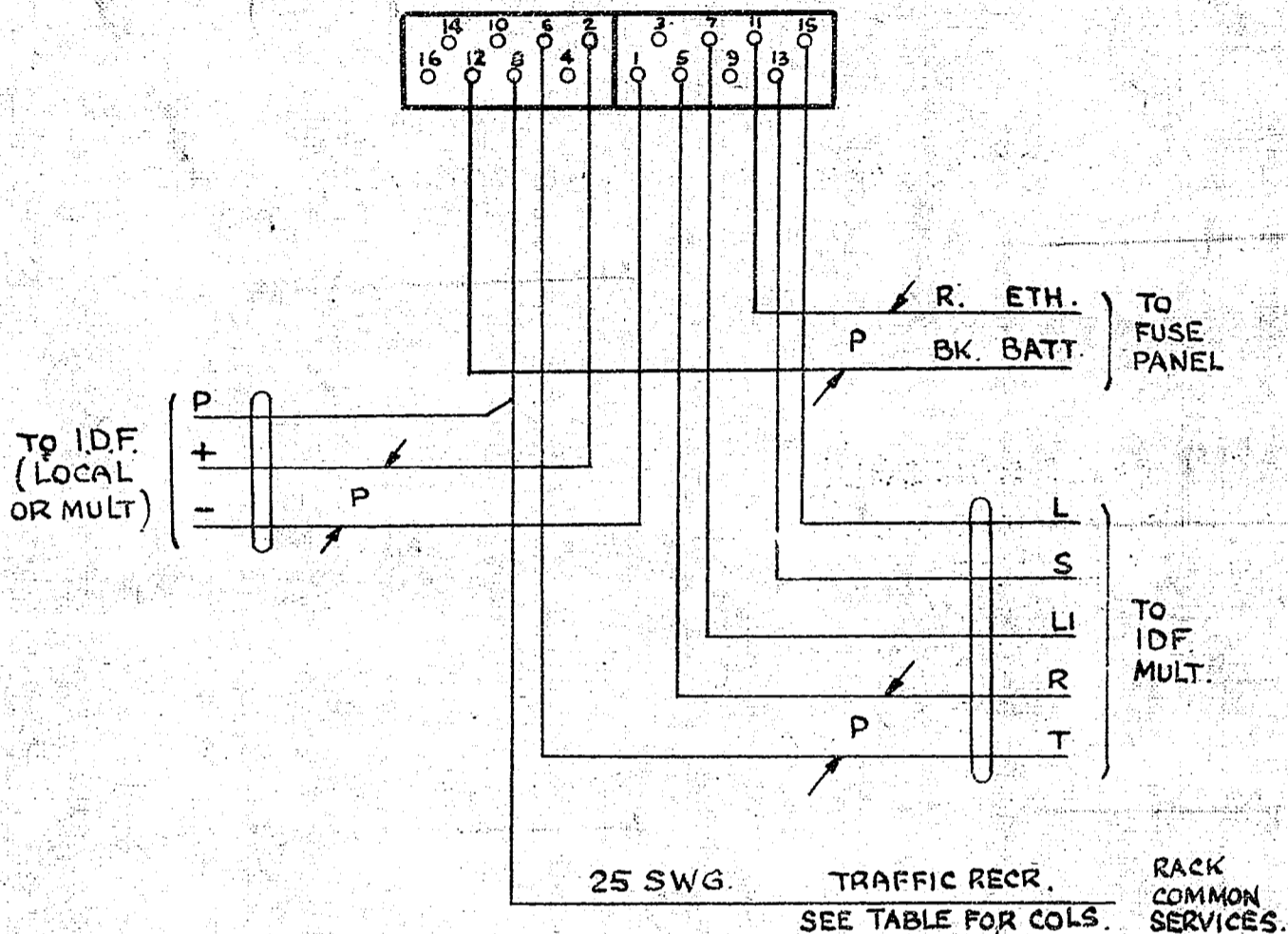


FIG 1B I.V.F. UNIDIRECTIONAL JUNCTIONS

AS SEEN FROM REAR



COLOURS FOR TRAFFIC REC LEAD	
SHELF PAIR No.	COLOUR
1	R-O.
2	R-G.
3	R-BN.
4	R-S.
5	R-B-W.

NOTES.

1. ALL WIRING 22 S.W.G. UNLESS OTHERWISE SPECIFIED

				JUNCTION RELAY SET I/C TOLL DEMAND FROM AMX. W.E. TYPE TOLL BOARD. 2000 TYPE			
				(35570)	2	28-11-60	OK
AMENDMENT PARTICULARS.				ISSUE	DATE	APPD	W
N.Z.P.O.				DRAWN	CHECKED	WIRING	CIRCUIT
				han		DHO	
				GBU 12250			SHEET 2-2

