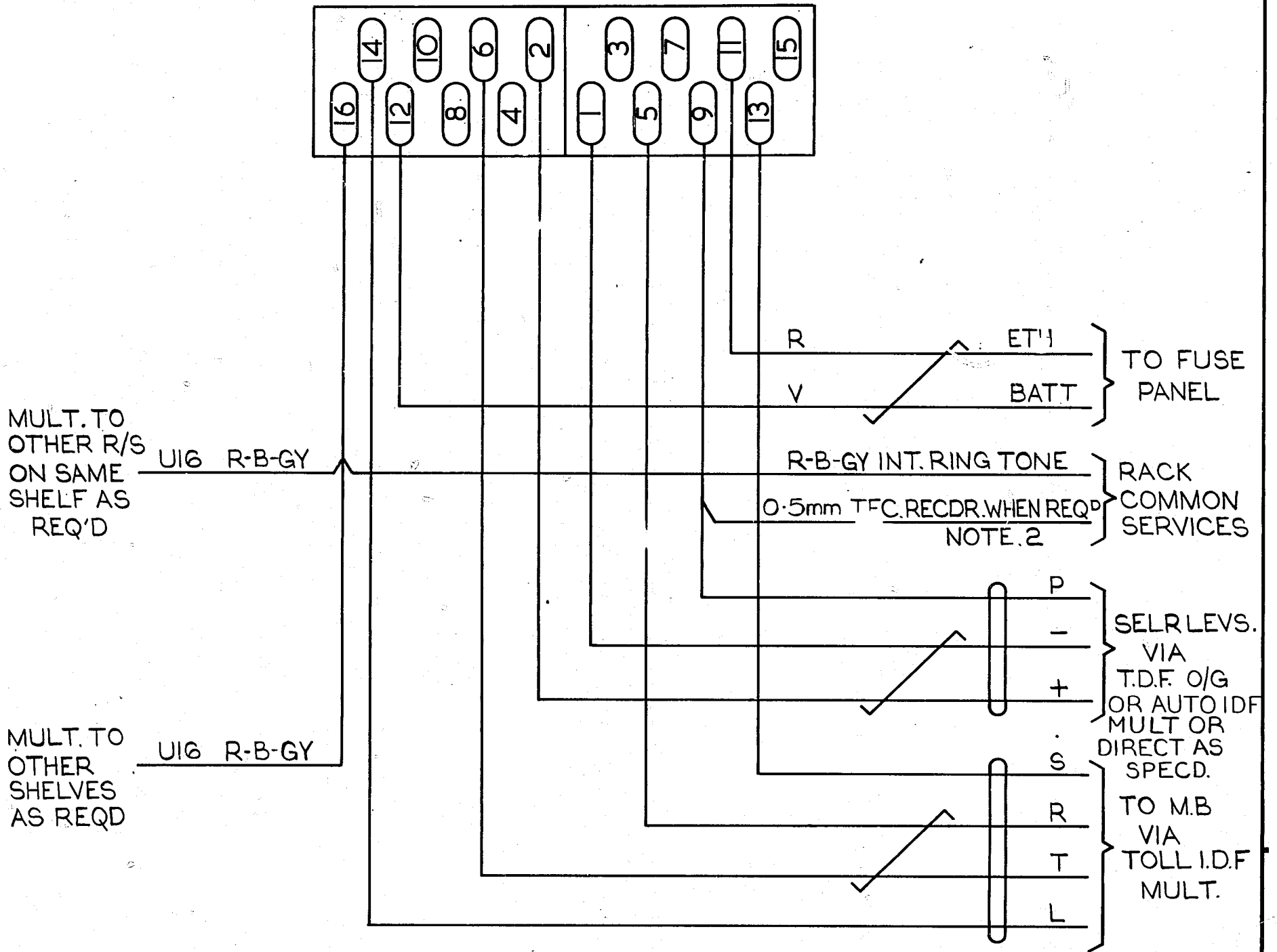


AS SEEN FROM REAR



NOTES :-

1. SHELF JACK U POINTS 9 & 11 MAKE CONTACT WHEN RELAY SET IS REMOVED.
2. FOR COLOURS OF THIS LEAD SEE TABLE.
3. ALL WIRING NOT OTHERWISE SPECIFIED TO BE 0.7 mm.

TABLE	
SHELVES A&B	R-O
C&D	R-G
E&F	R-BN
G&H	R-GY
J&K	RB-W

	REFERENCES
(99771) 1 17-9-73 BS-H	50V W
AMENDMENT	ISS DATE APPD
DRAWN CKD <i>DK</i> WRG CCT <i>BP</i>	SELECTOR LEVEL RELAY SET LOCAL MANUAL HOLD W.E. TOLL BOARD.
A3 A4	