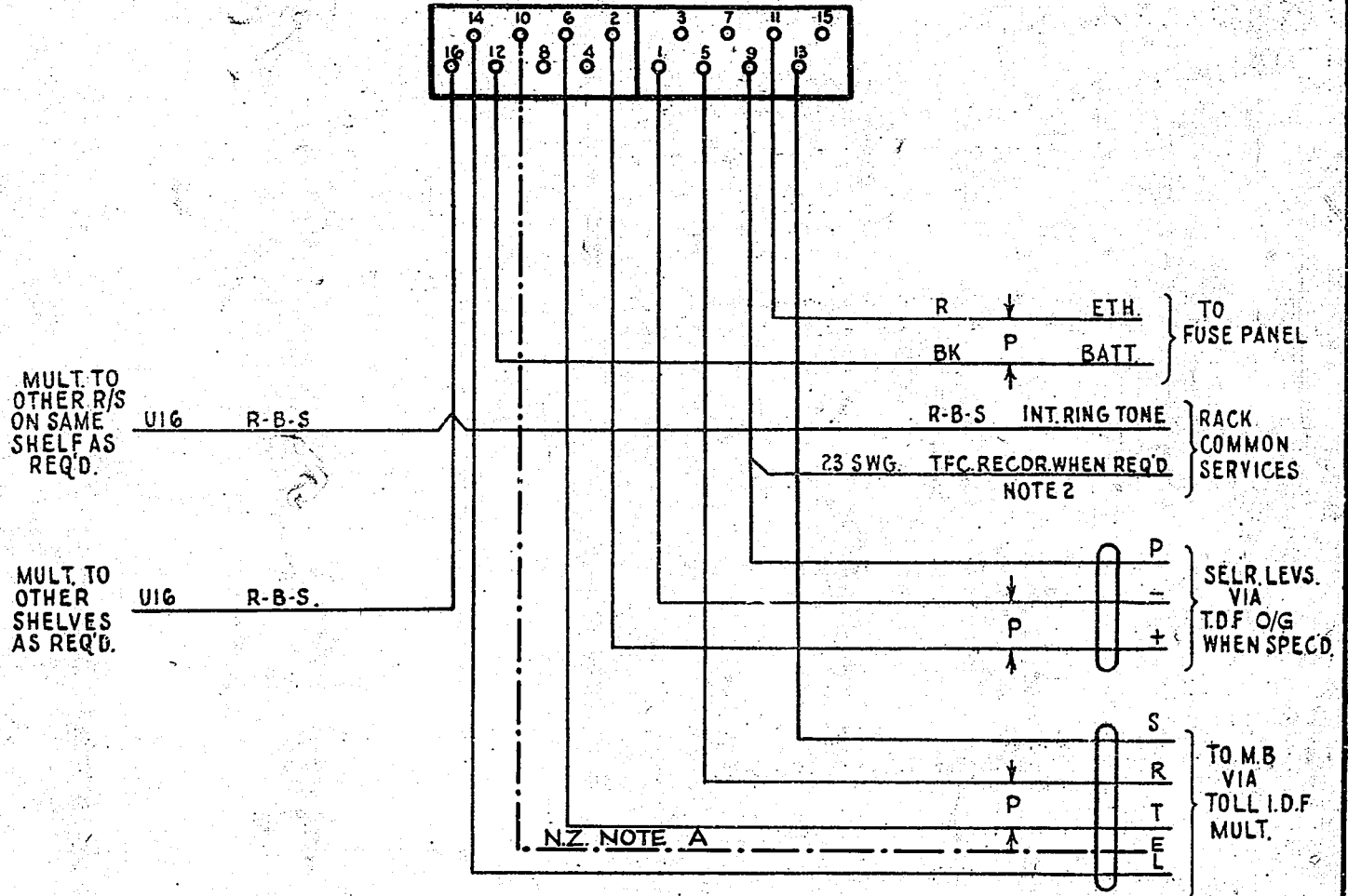


AS SEEN FROM REAR.



NOTES:

1. SHELF JACK U POINTS 9 & 11 MAKE CONTACT WHEN RELAY SET IS REMOVED.
2. FOR COLOURS OF THIS LEAD SEE TABLE.
3. ALL WIRING NOT OTHERWISE SPECIFIED TO BE 20 SWG.

N.Z. NOTES

A. AT PM USE CONNECTIONS SHOWN -----

SHELVES A & B	R-O
C & D	R-G
E & F	R-BN
G & H	R-S
J & K	R-B-W

				SELECTOR LEVEL RELAY SET LOCAL MANUAL HOLD W. E. TOLL BOARD.	
N.Z. NOTE A ADDED		(42786)	1A	21.7.61	<i>[Signature]</i>
		(31593)	1	4.5.54	<i>[Signature]</i>
AMENDMENT PARTICULARS			ISSUE	DATE	APP'D
					50V W
GBU 12240					
N.Z. P.O.		DRAWN E.G.	CHECKED	WIRING	CIRCUIT