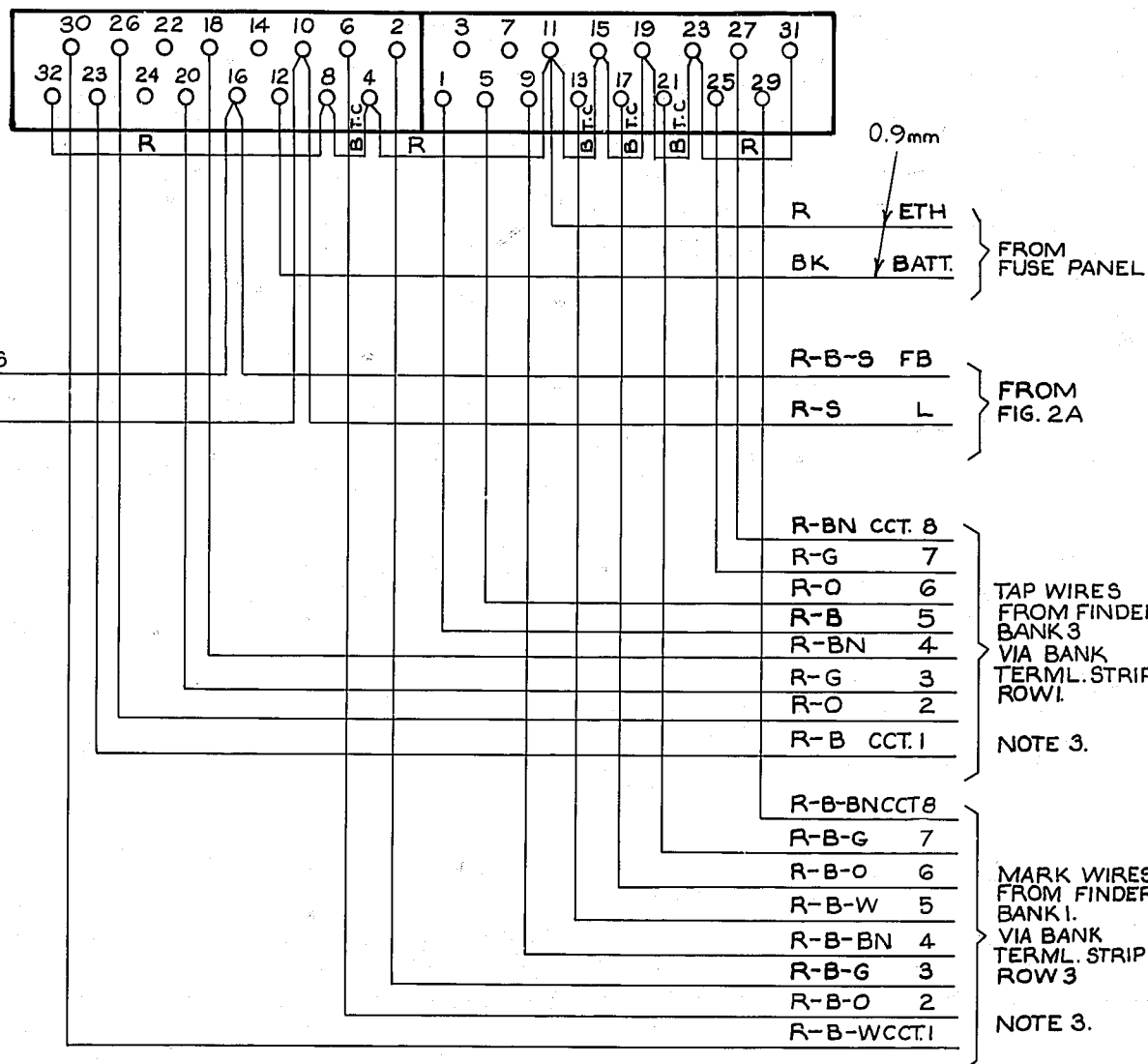


FIG. 1. SUBS. TAPPING RELAY SET.

AS SEEN FROM REAR.

NOTE 2

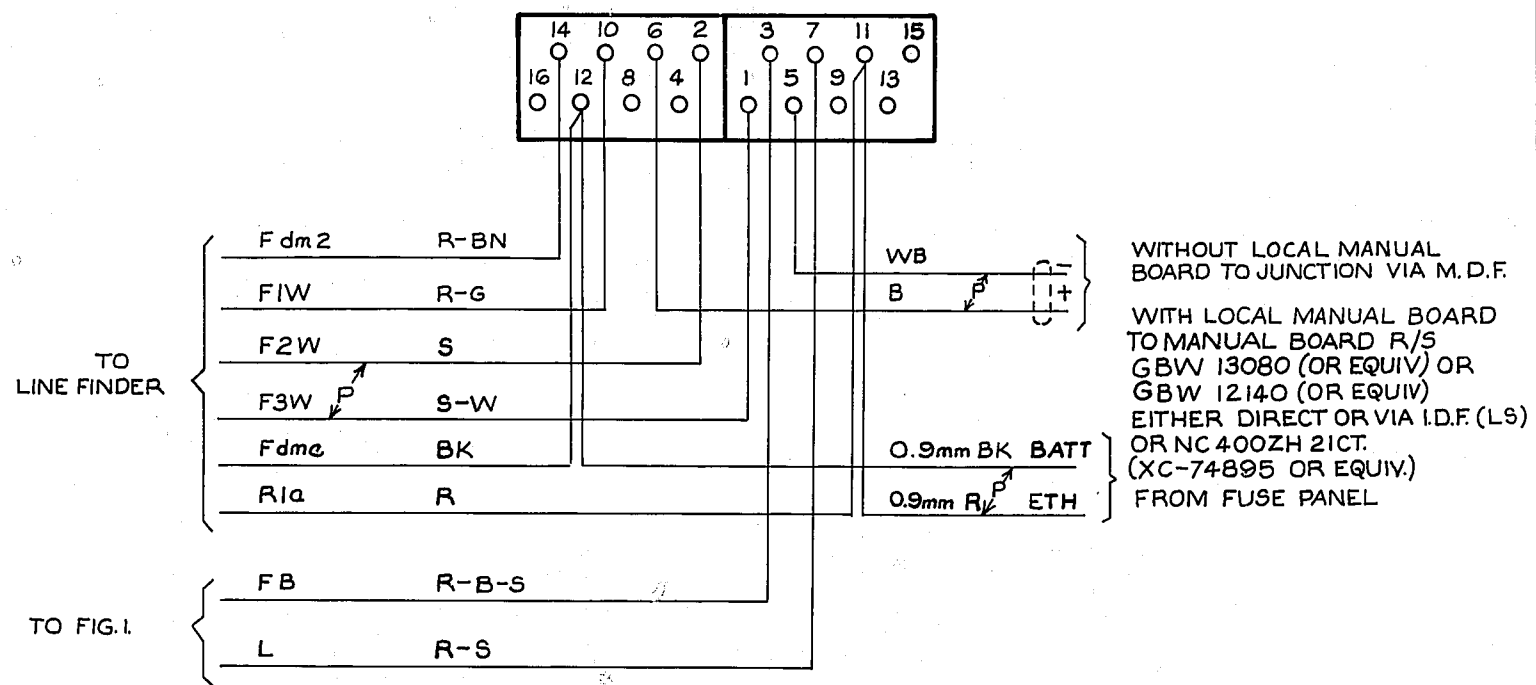


NOTE 3.

MARK WIRES FROM FINDER BANK 1. VIA BANK TERML. STRIP ROW 3. NOTE 3.

FIG. 2A. LINE FINDER RELAY SET

AS SEEN FROM REAR.



WITHOUT LOCAL MANUAL BOARD TO JUNCTION VIA M.D.F.
WITH LOCAL MANUAL BOARD TO MANUAL BOARD R/S GBW 13080 (OR EQUIV) OR GBW 12140 (OR EQUIV) EITHER DIRECT OR VIA I.D.F. (L5) OR NC 400ZH 21CT. (XC-74895 OR EQUIV.) FROM FUSE PANEL

NOTES.

1. ALL WIRING TO BE 0.7MM UNLESS OTHERWISE SPECIFIED.
2. IN FIG. 1 THE FOLLOWING PAIRS OF 'U' POINTS TO MAKE CONTACT WHEN RELAY SET IS REMOVED. U2 & 4, U6 & 3, U9 & 11, U13 & 15, U17 & 19, U21 & U23, U29 & U31, U30 & U32.
3. CONNECTIONS ARE SHOWN FOR 25 OUTLET FINDER. FOR 50 OUTLET FINDER, TAP WIRES FOR CCTS. 1-24 ARE WIRED VIA ROW 1. TERMLS. TO FINDER BANK 5. TAP WIRES FOR CCTS. 25-48 ARE WIRED VIA ROW 4. TERMLS. TO FINDER BANK 6. MARK WIRES FOR CCTS. 1-24 ARE WIRED VIA ROW 3. TERMLS. TO FINDER BANK 1. MARK WIRES FOR CCTS. 25-48 ARE WIRED VIA ROW 6. TERMLS. TO FINDER BANK 2.

				CHANGED NUMBER CALLING EQUIPMENT		
RETRACED (183051)	2B	27.11.79	A.D.G			
X BAR REF ADDED (176661)	2A	20.2.79				
DESTINATION OF O/G LEADS CLARIFIED (FIG 2A) (70493)	2	27.3.63				
(30962)	1	3.8.54				
AMENDMENT PARTICULARS	ISSUE	DATE	APD.	SIZE	A3	50V S
N.Z.P.O.	25	DRAWN	CHECKED	WIRING	CIRCUIT	GBU 12100
		30				35
						40

