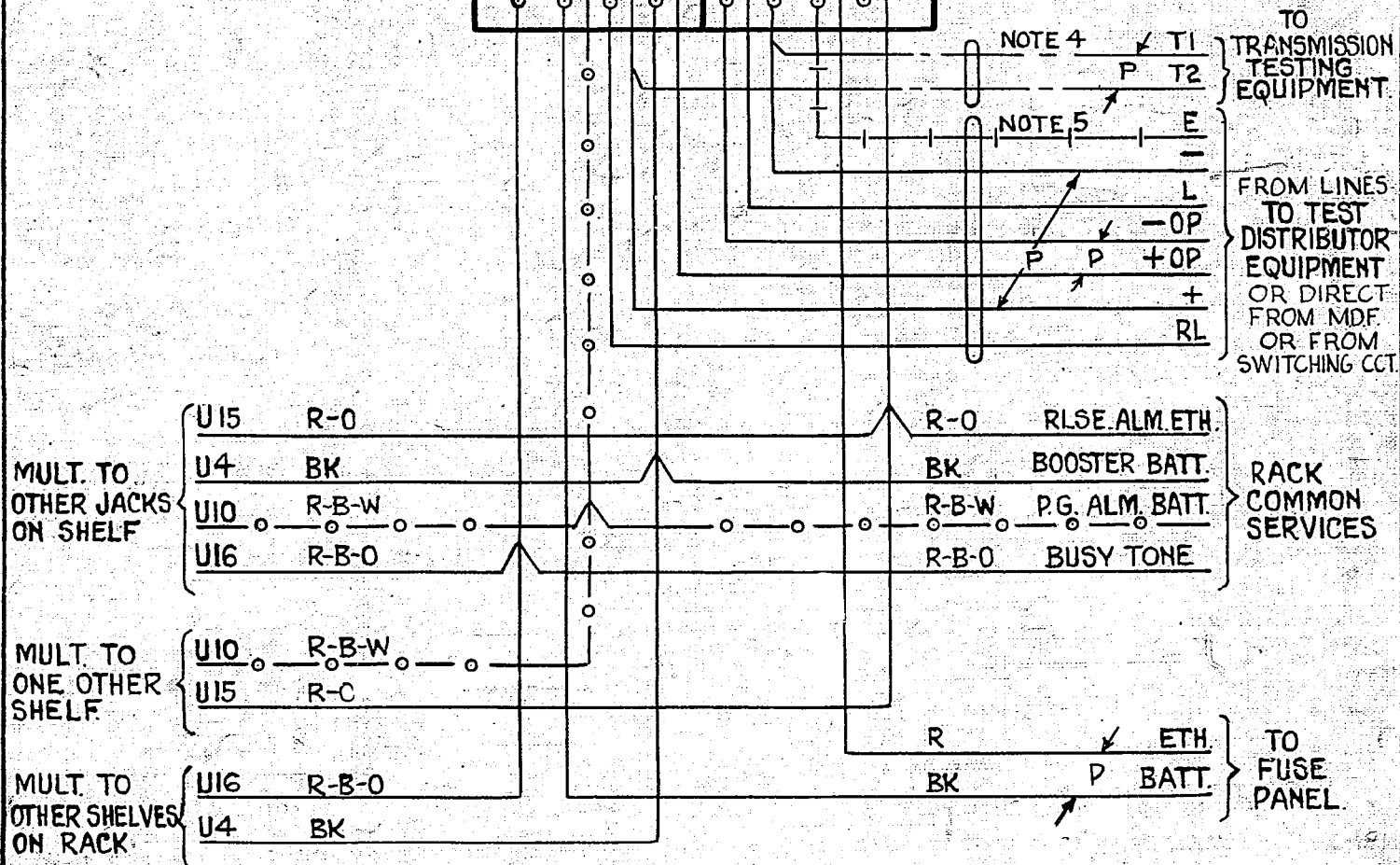
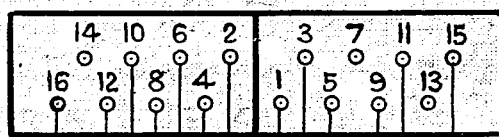


AS SEEN FROM REAR



NOTES

- 1 SHELF JACK U POINTS 9 & 11 TO MAKE CONTACT WHEN SELECTOR IS REMOVED.
- 2 ALL WIRE TO BE 22 S.W.G. UNLESS OTHERWISE SPECIFIED.
- 3 P.G. ALM. BATT. IS ONLY REQUIRED WHEN SELECTOR TERMINATES A JUNCTION
- 4 LEADS TI & T2 ONLY REQUIRED WHEN NO LOCAL ACCESS TO TEST SELECTOR IS PROVIDED.
- 5 LEAD "E" IS ONLY REQUIRED WHEN SELECTOR IS CONNECTED VIA SWITCHING CONTROL CIRCUIT.

				TEST INTERMEDIATE SELECTOR FOR MIXED 4&5 DIGIT NUMBERS 2000 TYPE	
				50V/C	
ORIGIN OF LEADS FROM U1,2,3,5,6,8&9 AMENDED (65910)		3	17.6.64	DPK	
NOTES 4-5 & LEADS TI-2 ADDED (69389)		2	20.8.57	all	
AMENDMENT PARTICULARS		ISSUE	DATE	APPD	REF.
NZPO		AM	RBB		GBU 12090