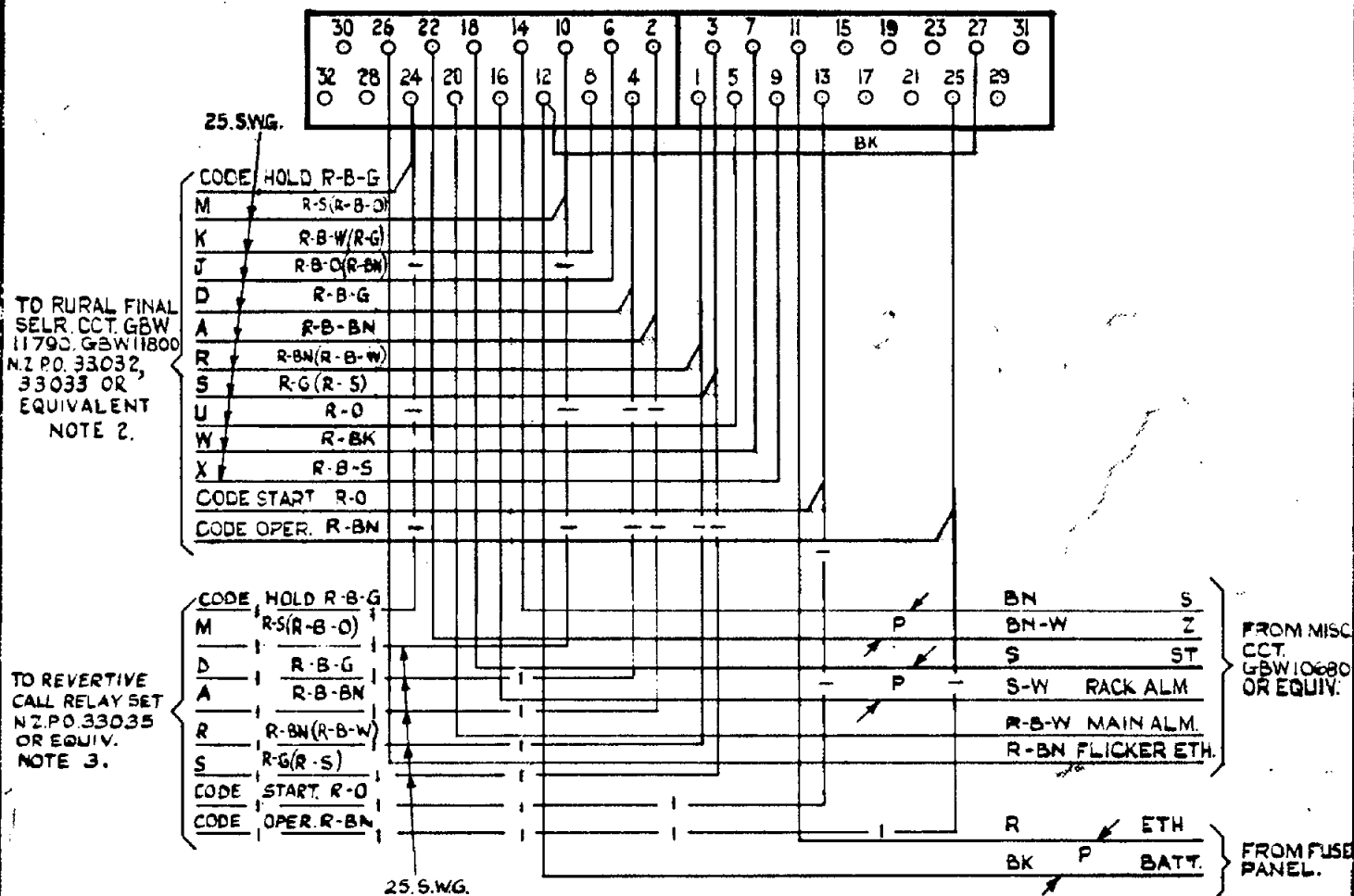


AS SEEN FROM REAR



NOTES.

1. ALL WIRING TO BE 20 SWG. UNLESS OTHERWISE SPECIFIED
2. ALTERNATIVE WIRE COLOURS SHOWN IN BRACKETS ONLY APPLY WHEN THE CIRCUIT IS USED IN CONJUNCTION WITH MODIFIED EQUIPMENT FOR FULL M WORKING.
3. WHEN A REVERTIVE CALL RELAY SET IS PROVIDED USE OPTIONAL CONNECTIONS SHOWN THUS - | - | -

ALTERNATIVE CABLING & NOTE 3 AMENDED (58198)				6	6-2-67	DIB	PULSE GENERATOR RELAY SET FOR CODE RINGING 2000 TYPE.
ALTERNATIVE WIRE COLOURS & NOTES 2 & 3 ADDED.				5			
RLSE. ALM. BATT. DELETED FROM U27				4			
RLSE. ALM. BATT. WAS TO U29				3			
COLOURS OF PULSE LEADS CORRECTED				2			
AMENDMENT PARTICULARS				ISSUE	DATE	APPD	REF:-
							50V S
NZPO				DRAWN CS.	CHECKED F.J.O.	WIRING N.J.A.	CIRCUIT E.W.D.
GBU 11930							