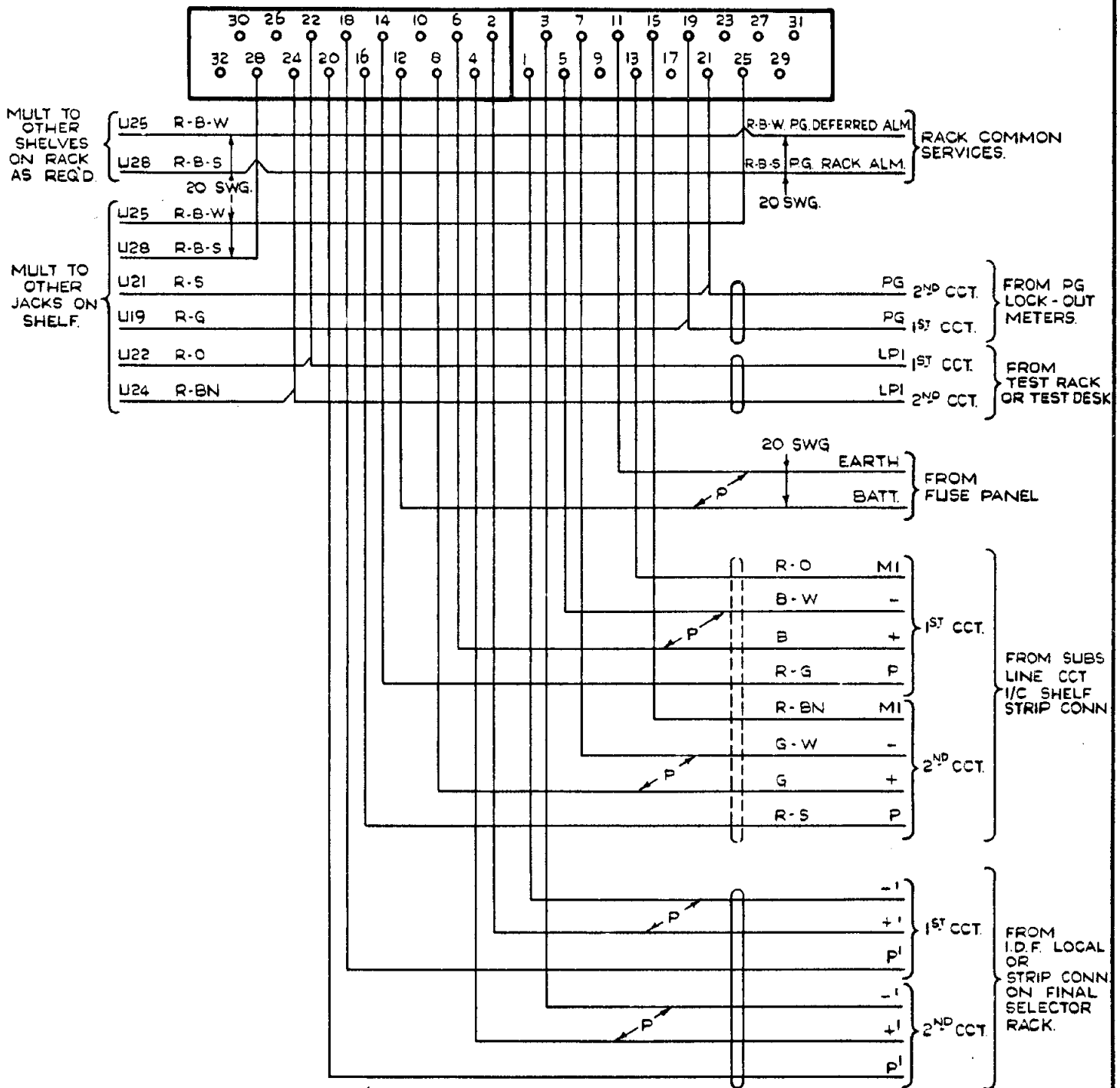


AS SEEN FROM REAR.



NOTES:-

- JACK POINTS U9 & U11 MAKE CONTACT WHEN RELAY SET IS REMOVED.
- ALL WIRING TO BE 23 SWG UNLESS OTHERWISE SPECIFIED.

				RURAL PARTY LINE REPEATER SIMPLEX TO LOOP DIALLING 2000 TYPE.			
REFERENCE TO TEST DESK ADDED (31667)						2	5-5-54
						1	4-5-53
AMENDMENT PARTICULARS.						ISSUE	DATE
				APPD.	E		
				GBU 11851			
N.Z. P.O.	DRAWN	CHECKED	WIRING			ENGINEER	
	AT						