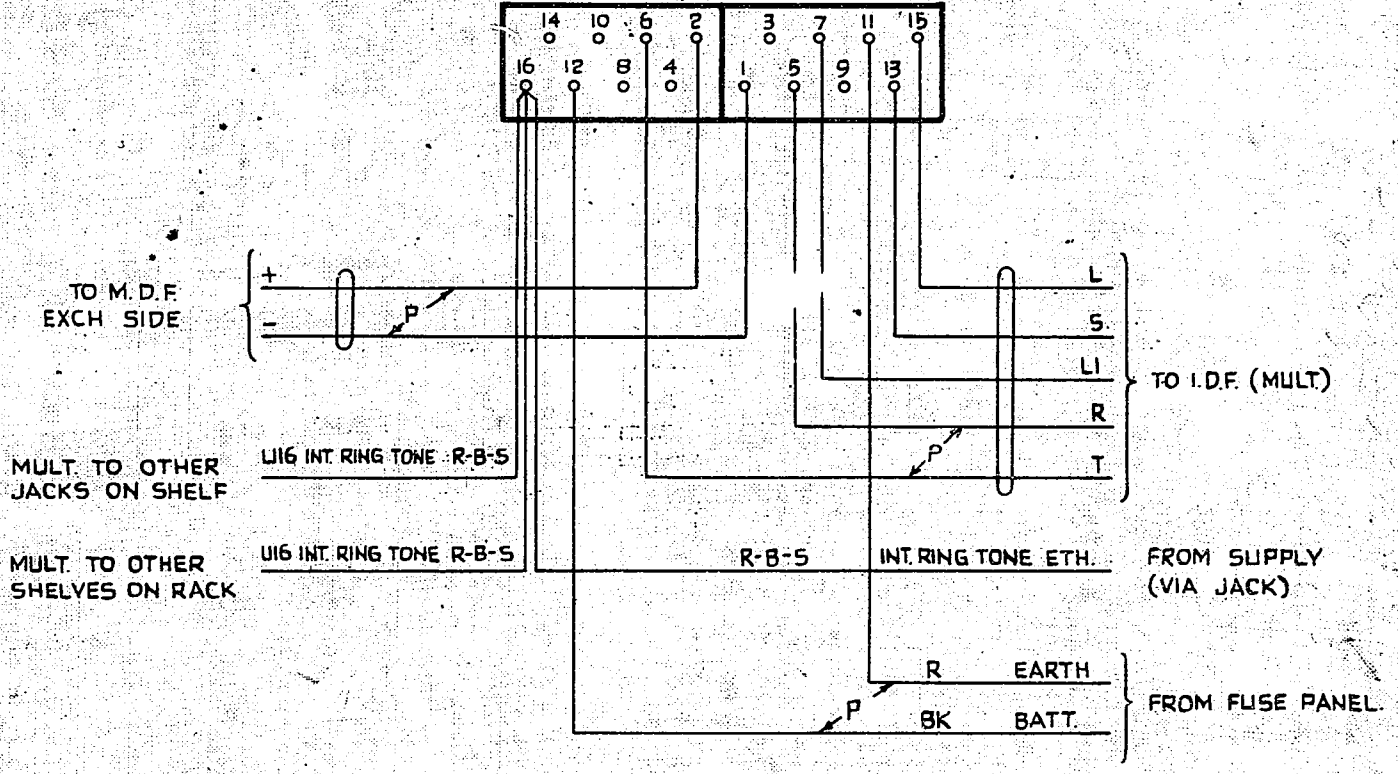


0  
5 Centimetres  
10  
15  
20  
25  
30

AS SEEN FROM REAR



**NOTE**

1. ALL WIRING TO BE 20 SWG. UNLESS OTHERWISE SPECIFIED

				LEVEL O JUNCTION RELAY SET			
(31667)				I	5.5.54	(Signature)	
AMENDMENT PARTICULARS				ISSUE	DATE	APPD	50%
N.Z. P.O.	(Signature)	(Signature)	M B (Signature)	DRAWN (Signature)	CHECKED (Signature)	WIRING (Signature)	ENGINEER (Signature)
<b>GBU 11360</b>							