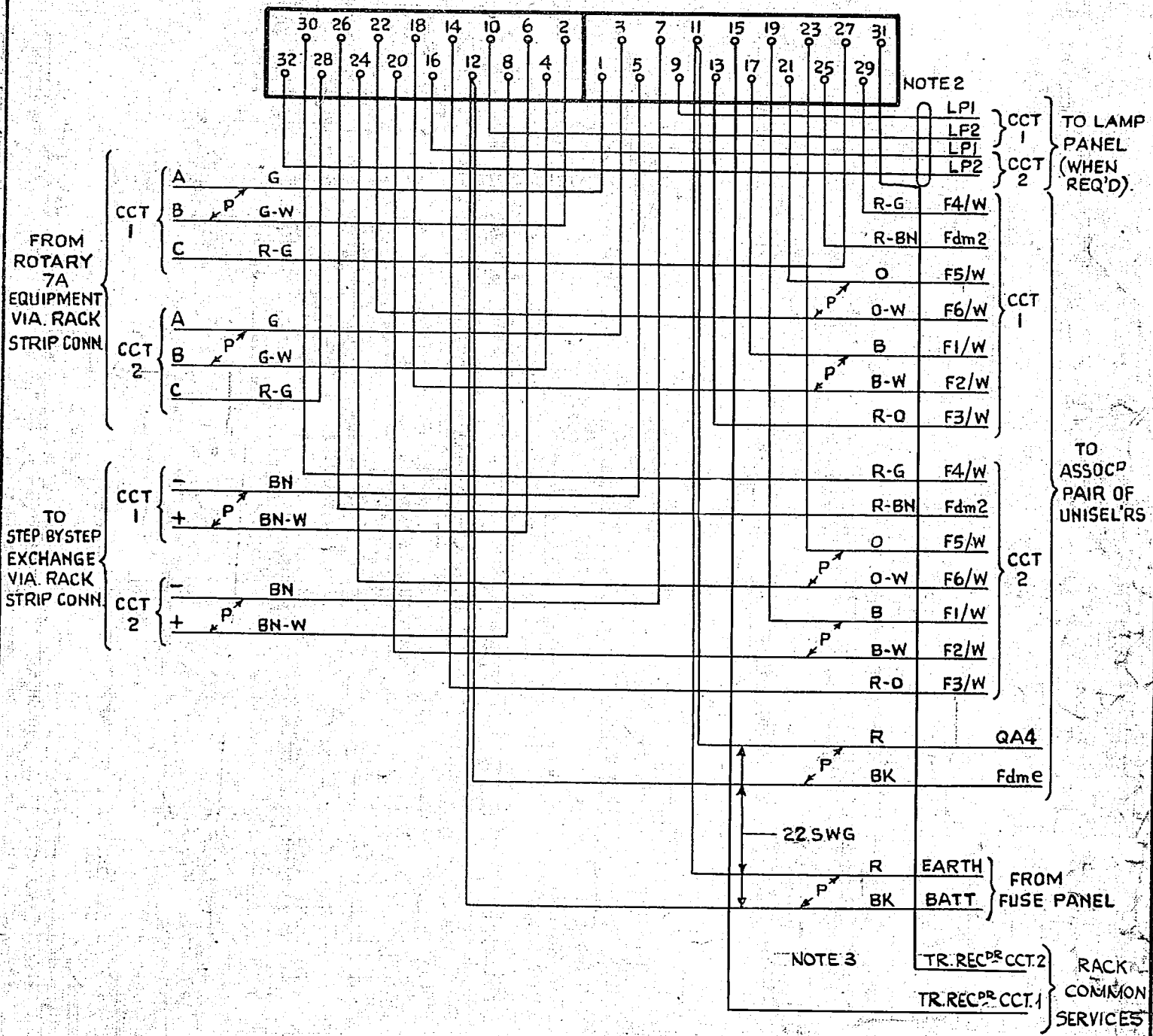


AS SEEN FROM REAR



- NOTE**
1. ALL WIRING TO BE 25SWG UNLESS OTHERWISE SPECIFIED.
 2. THESE LEADS WILL BE CABLED BY THE CUSTOMER WHEN LOCAL CIRCUMSTANCES NECESSITATE THE PROVISION OF A REMOTE LAMP PANEL.
 3. COLOURS OF TRAFFIC REC'DR LEADS:
 SHELVES A & B 1ST CCT. R-O - 2ND CCT. R-B-O.
 " C & D " R-G R-B-G.

				INTERWORKING RELAY SET TYPE R S 4	
				7A ROTARY TO STEP BY STEP	
TRAFFIC REC'DR LEADS & NOTE 3 ADDED (11343)		3	31-1-58	50V E GBU 11330	
NOTE 2. & CONNECTIONS TO LAMP PANEL ADDED (31667)		2	5-5-54		
		1	15-8-49		
AMENDMENT PARTICULARS		ISSUE	DATE	APP'D	
N.Z. P.O.		DRAWN	CHECKED	WIRING	ENGINEERS

0
5 Centimetres
10
15
20
25
30