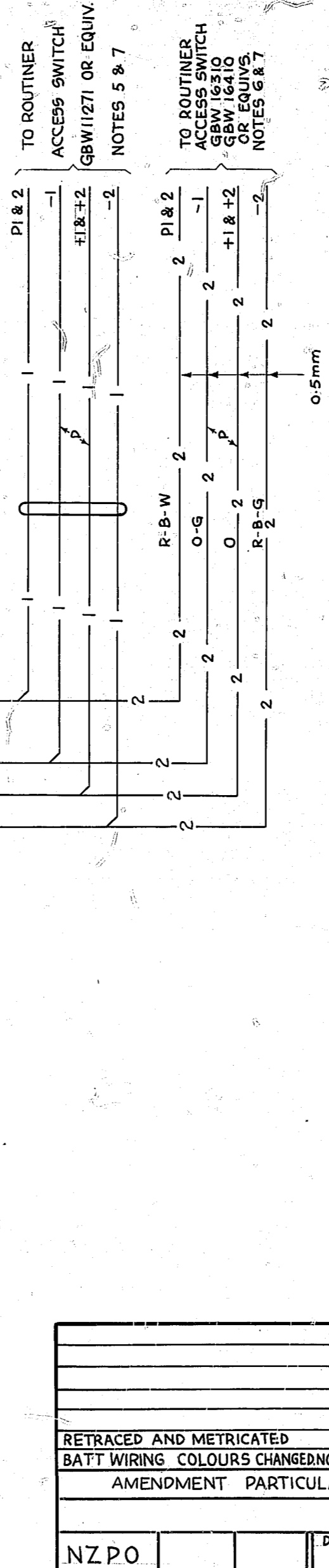
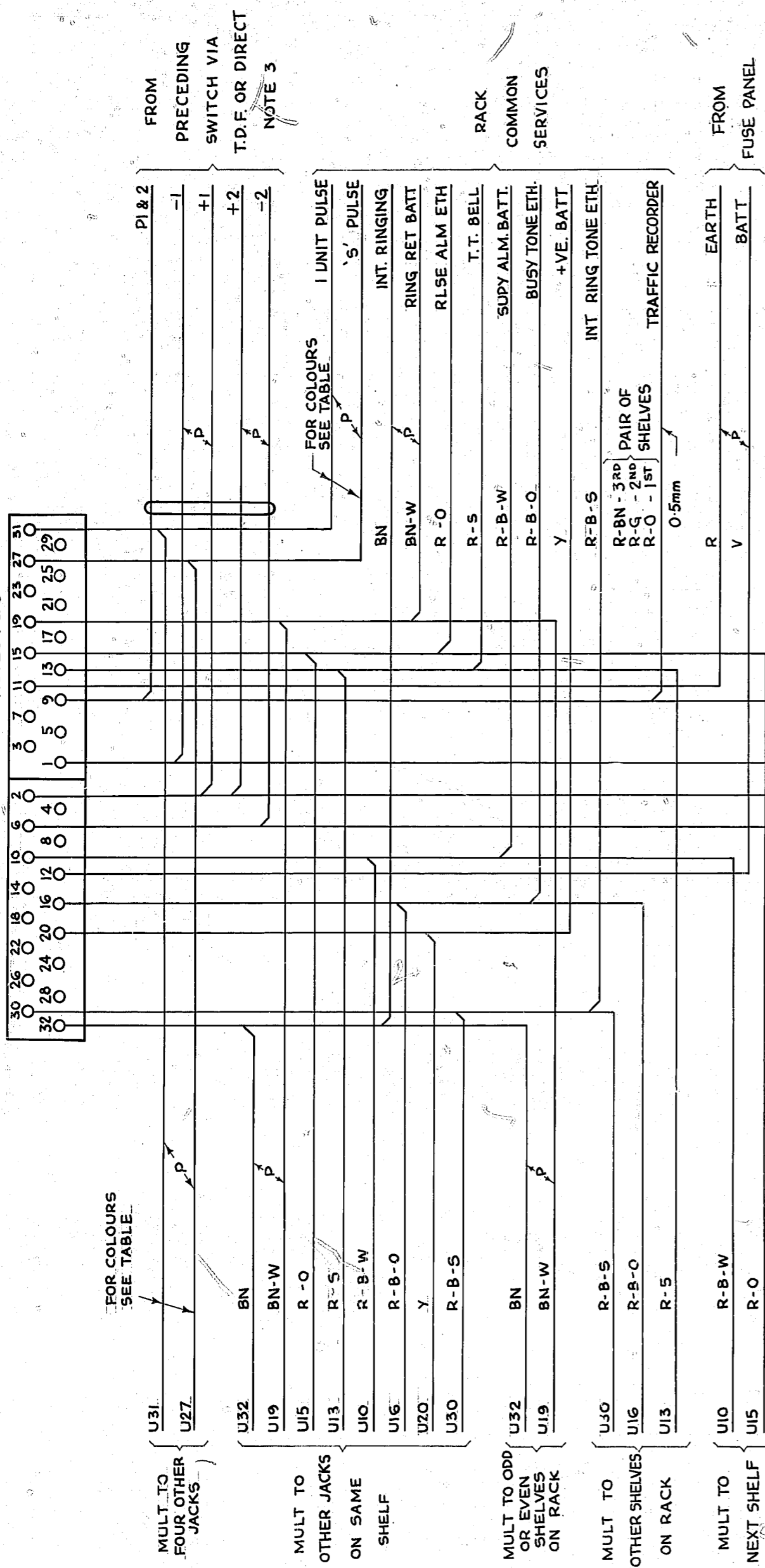


AS SEEN FROM REAR

NOTES 1 & 3



NOTES

- 1 SHELF JACK U-POINTS 9 & 11 MAKE CONTACT WHEN SELECTOR IS REMOVED.
- 2 ALL WIRING TO BE 0.7mm UNLESS OTHERWISE SPECIFIED
- 3 WHEN OUTLETS FROM GROUP SELECTORS ARE CABLED DIRECT THE FOLLOWING STRAPS MUST BE APPLIED ON SITE:-
a) IN ALL CASES STRAP U11 TO U7
b) WHEN NO-SELECTOR IS EQUIPPED STRAP U9 TO U7.
- 4 ON COMPOSITE U/S & F/S RACKS USE DISTRIBUTION FOR SHELVES E & F
- 5 USE CONNS -1-1-1- WHEN ACCESS SELECTOR TO GBW-11271 OR EQUIV IS SPECIFIED.
- 6 USE CONNS-2-2- WHEN ACCESS SELECTOR TO GBW 16310 OR GBW 16410 OR EQUIV IS EQUIPPED ON 'STANDARD' OR 'COMPOSITE U/S & F/S' RACKS RESPECTIVELY.
- 7 ON COMPOSITE U/S & F/S RACKS WHICH ARE USED IN EXCHANGES ALREADY PROVIDED WITH ACCESS SELECTOR TO GBW 11271 OR EQUIV USE CONNS -1-1- IN ADDITION TO CONNS -2-2- REFERRED TO IN NOTE 6, IN WHICH CASE THE UNISELECTOR ACCESS SELR EQUIPPED ON THE RACK IS NOT USED
- 8 ON SOME EARLY EQUIPMENT -VE BATTERY WIRING IS BK AND +VE BATTERY WIRING IS R-B

U27	U31	SELECTORS
G + G - W	I - 5	SHELVES A & D
B + B - W	G - 10	" A & D
O + O - W	I - 5	" B & E
BN + BN - W	G - 10	" B & E
S + S - W	I - 5	" C & F
W + R - W	G - 10	" C & F

NOTE 4

RETRACED AND METRICATED (157677)				8A	2-6-78	RED
BATT WIRING COLOURS CHANGED NOTE 8 ADD (7580)				8	18-12-68	
AMENDMENT PARTICULARS			ISSUE	DATE	APP.	
NZPO		DRAWN	CHECKED	WIRING	CIRCUIT	
200 LINE FINAL SELECTOR ORDINARY POSITIVE BATTERY METERING 2000 TYPE						
GBU 10770 10772 10771						