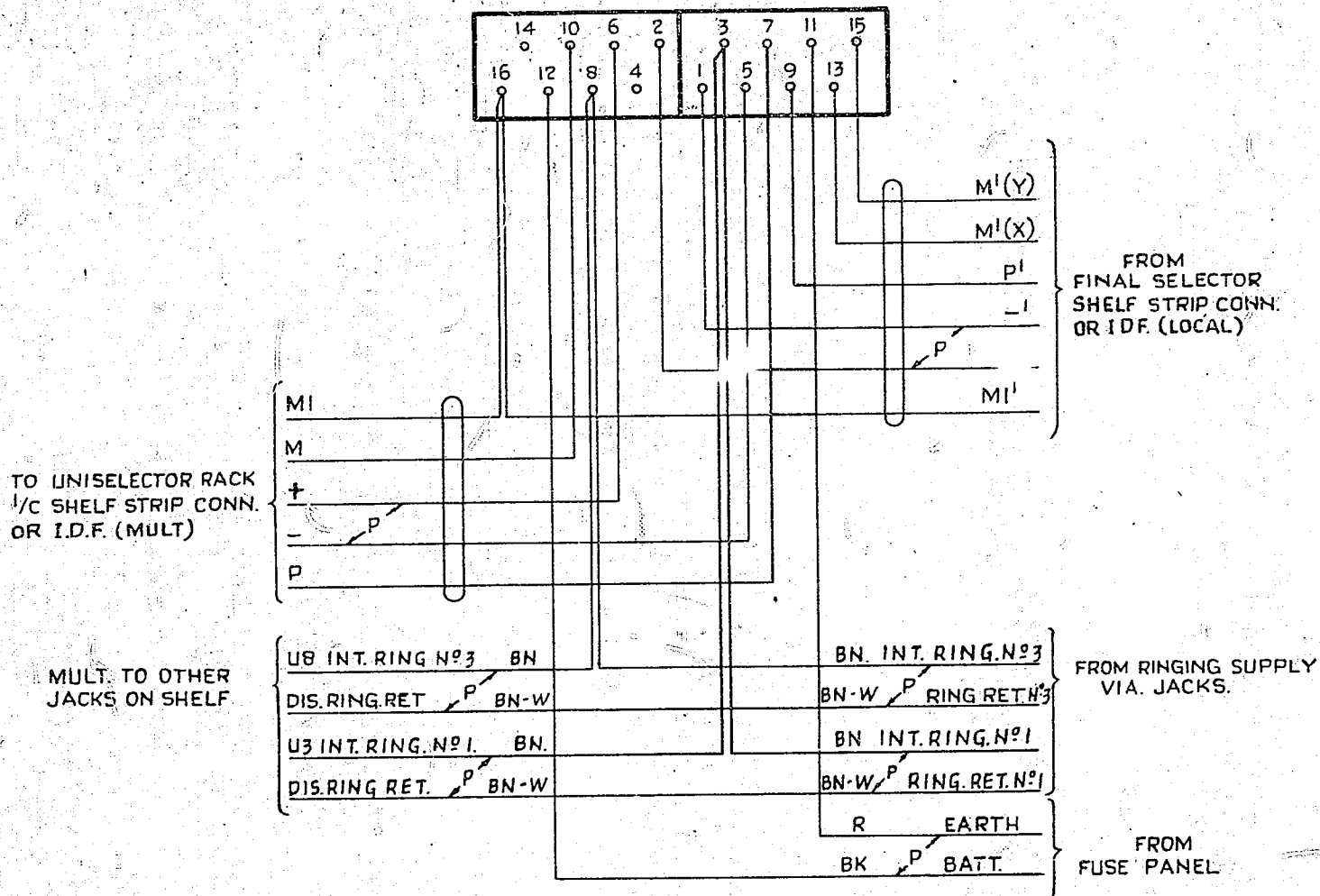


0  
5 Centimetres  
10  
15  
20  
25  
30

AS SEEN FROM REAR



NOTES

1. ALL WIRING TO BE 20 SWG. UNLESS OTHERWISE SPECIFIED

CANCELLED

TWO-PARTY LINE  
METER DISCRIMINATION  
CIRCUIT

DIAGRAM CANCELLED (58170)	3	20.1.57	A/B
CONT. RING DELETED, INT. RING 1&3 AND LEAD TO U7 ADDED (68352)	2	3.1.57	C/M
(31667)	1	5.5.54	C/M
AMENDMENT PARTICULARS	ISSUE	DATE	APP <sup>o</sup>
N.Z. P.O.	DRAWN	CHECKED	WIRING
			ENGIN <sup>RS</sup>

GBU 10710