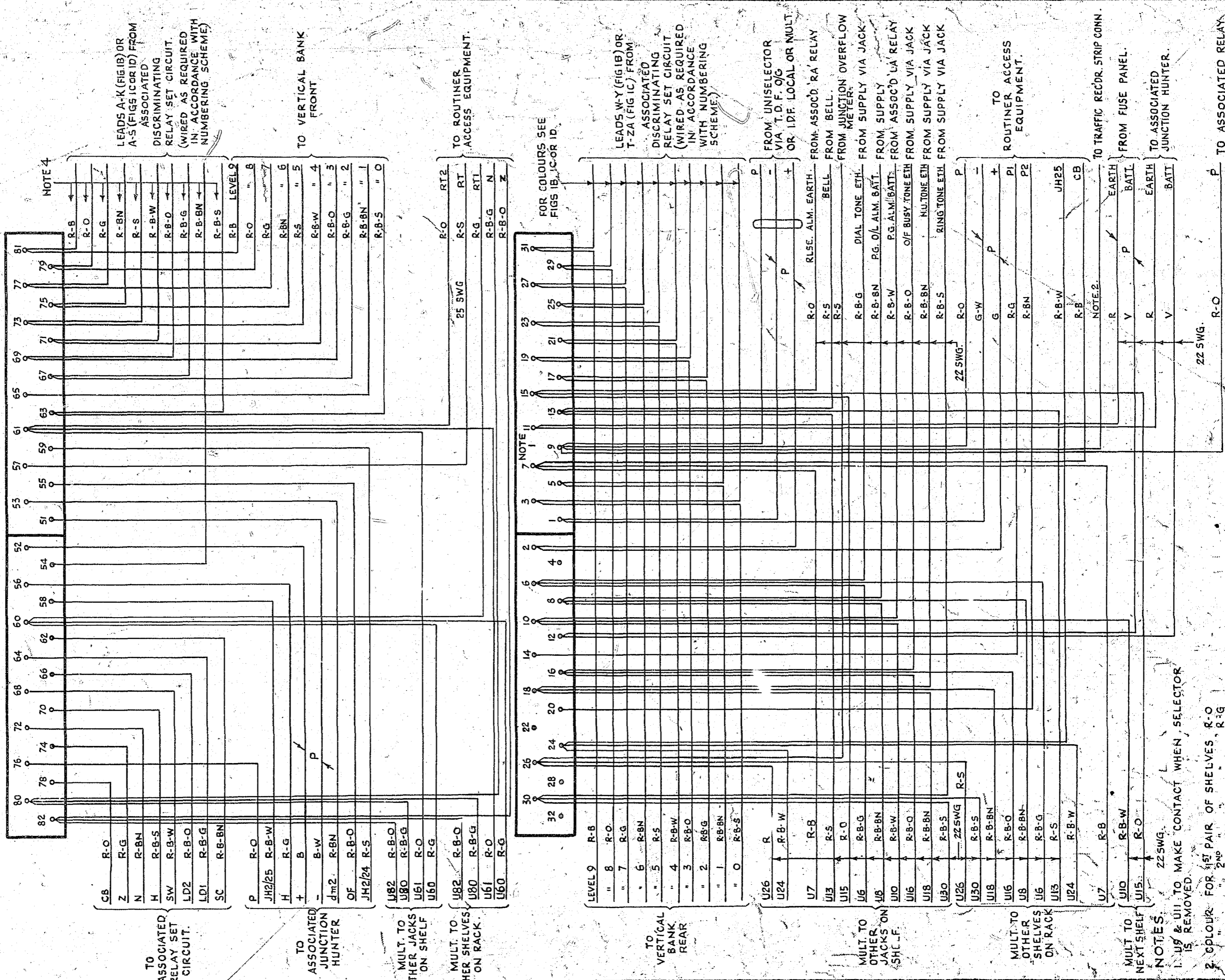


5 Centimetres 10 15 20 25 30

FIG. 1A, 1E, 1F OR 1G.
D.S.R. COIN BOX
AS SEEN FROM REAR



| | | | |
|---|-------|----------|----------|
| 10433 ADDED TO DGM. NUMBER (89769) | 7 | 28-8-64 | STR |
| REF TO I.D.F. LOCAL ADDED. WIRE SIZES REVISED (69525) | 6A | 20-11-63 | MB |
| FIGS. 1E, 1F & 1G ADDED (41796) | 5A | 26-5-61 | MB |
| NOTE 5 & DGM. No 10434 ADDED (13433) | 10 | 27-11-69 | RW |
| REF TO I.O.F. MULT ADDED (46820) | 9 | 31-8-66 | MB |
| NO. CHANGE. ISSUE ADVANCED ONLY | 8 | 31-8-66 | MB |
| AMENDMENT PARTICULARS | ISSUE | DATE | APPD |
| N.Z. PO. | DRAWN | CHECKED | WIRING |
| | | | ENGINERS |

DISCRIMINATING SELF REPEATING COIN BOX
200 OUTLET
2000 TYPE

GBU 10430 10433
10431 10434
10432

SHEET 3

NOTES
1. U8 & U11 TO MAKE CONTACT WHEN SELECTOR IS REMOVED.
2. COLOUR FOR 1ST PAIR OF SHELVES, R-O R-1G
3. ALL WIRE TO BE 25 SWG UNLESS OTHERWISE SPECIFIED.
4. THESE COLOURS APPLY ONLY WHEN SELECTOR IS USED IN CONJUNCTION WITH 5. ON SOME EARLY EQUIPMENT BATTERY WIRING IS BK. WHEN USED WITH FIG 1B SEE GBU10430 FIG 1B FOR COLOURS OF THESE LEADS.

5 Centimetres

10

15

20

25

30

AS SEEN FROM REAR

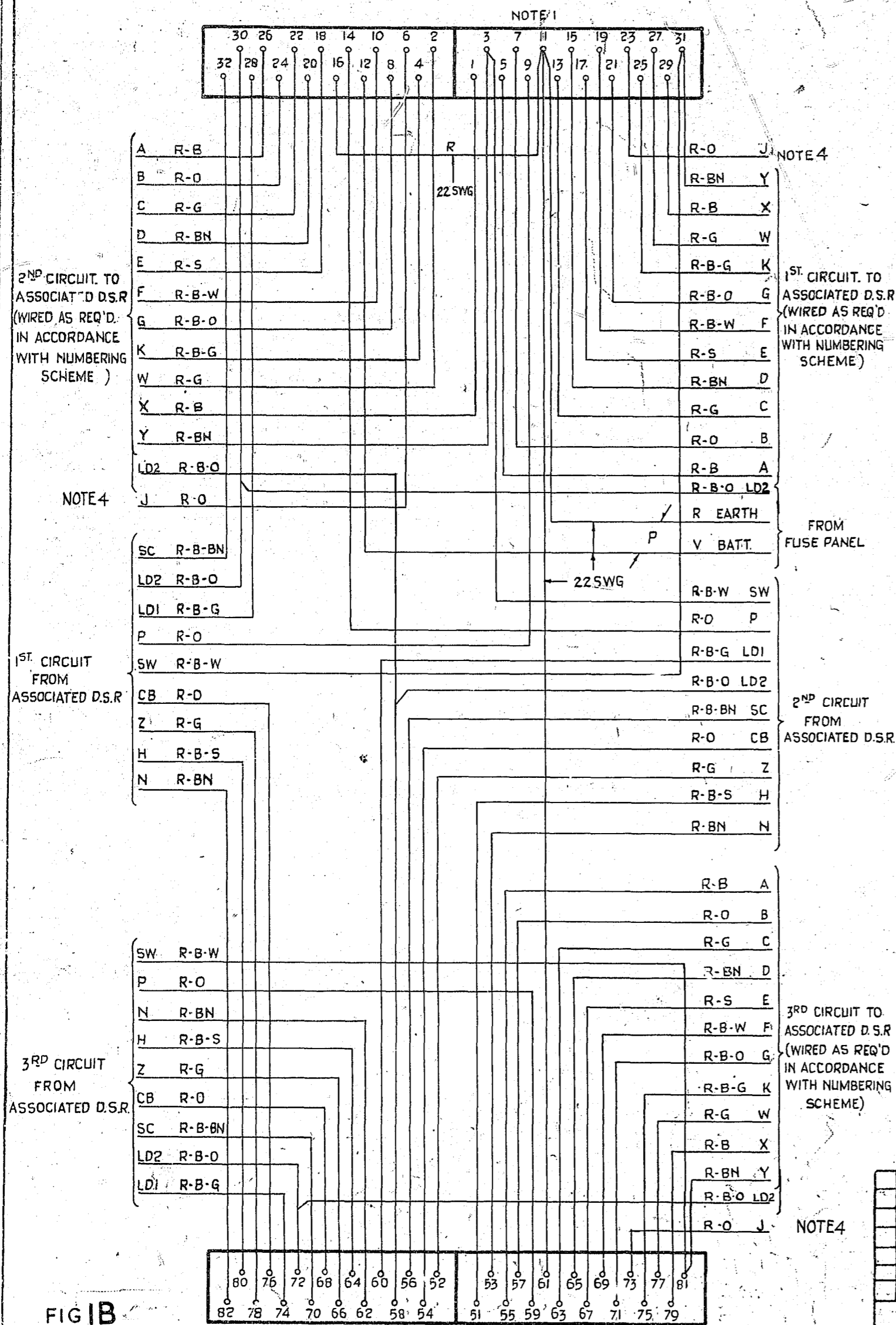


FIG 1B
DISCRIMINATING RELAY SET

ABSORBS 1ST DIGIT. DISCRIMINATES ON 1ST & 2ND

AS SEEN FROM REAR

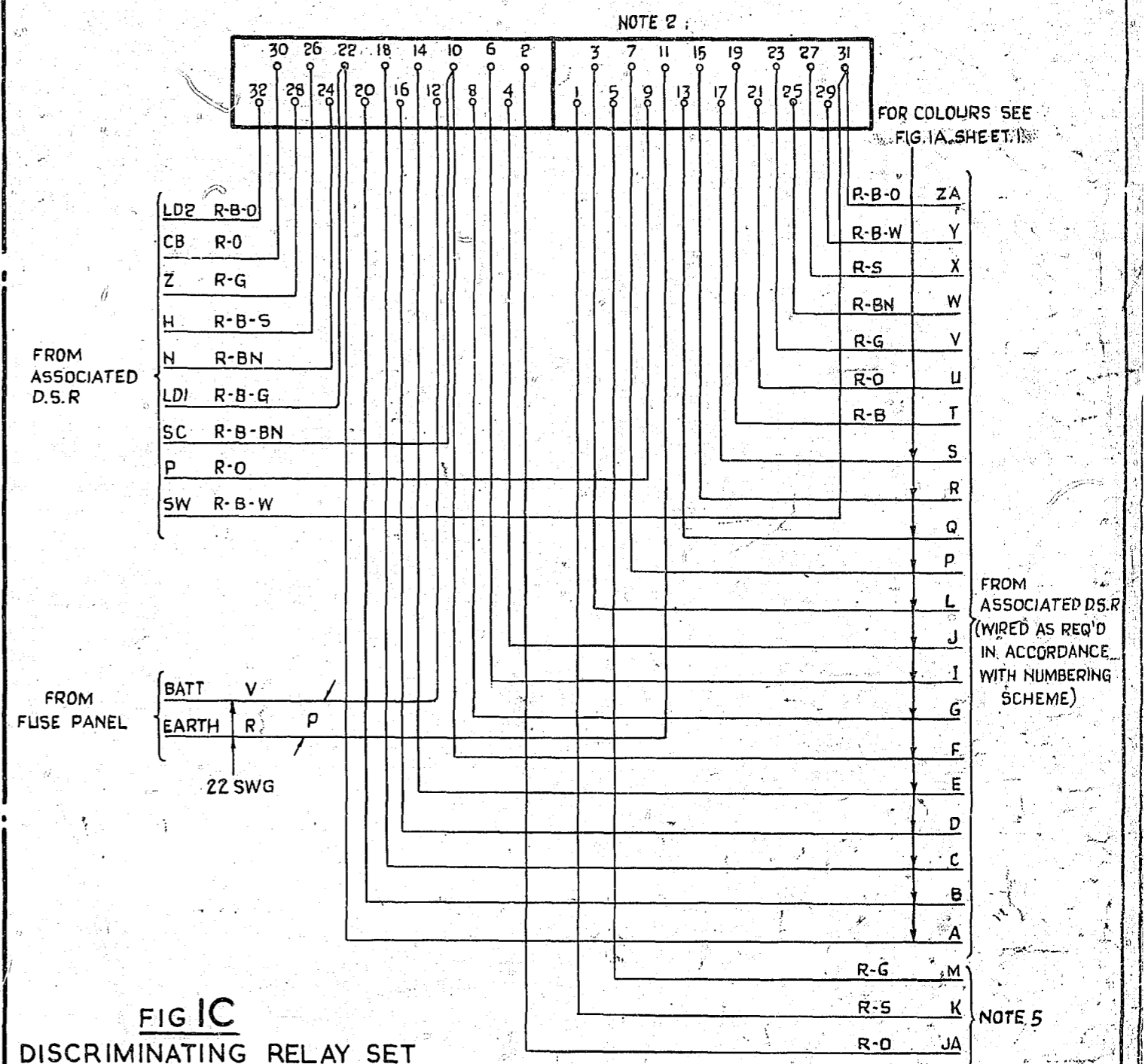


FIG 1C
DISCRIMINATING RELAY SET

ABSORBS 1ST & 2ND DIGITS. DISCRIMINATES ON 1ST, 2ND & 3RD
(ONE CIRCUIT PER BASE)

NOTES

- 1 JACK POINTS U9 & 11 U14 & 16 AND U59 & 61 (FIG. 1B) TO MAKE CONTACT WHEN RELAY SET IS REMOVED.
- 2 JACK POINTS U9 & 11 (FIG. 1C) TO MAKE CONTACT WHEN RELAY SET IS REMOVED.
- 3 ALL WIRING TO BE 25 SWG. UNLESS OTHERWISE SPECIFIED.
- 4 LEAD J (FIG. 1B) IS LOOPED TO POINT ON SAME SHELF JACK AS REQUIRED IN ACCORDANCE WITH NUMBERING SCHEME.
- 5 LEADS M, K & JA (FIG. 1C) ARE LOOPED TO POINTS ON SAME SHELF JACK AS REQUIRED IN ACCORDANCE WITH NUMBERING SCHEME.
- 6 ON SOME EARLY EQUIPMENT BATTERY WIRING IS BK.

| AMENDMENT PARTICULARS | ISSUE | DATE | APPD |
|--|-------|----------|------|
| 10433 ADDED TO DGM; NUMBER (89769) | 7 | 28-8-64 | DBH |
| WIRE SIZES REVISED (69525) | 6 | 20-11-63 | DBH |
| NO CHANGE. ISSUE ADVANCED ONLY (41796) | 5 | 26-5-61 | DBH |
| NOTE 6 & DGM N° 10434 ADDED (13433) | 10 | 27-11-69 | RW |
| NO CHANGE ISSUE ADVANCED ONLY (46620) | 9 | 31-8-66 | DBH |
| LD2 DISCRIMINATION LEADS ADDED | 8 | 31-8-66 | DBH |

| | | | | | |
|-----------|-----|-------|---------|--------|--------|
| N.Z. P.O. | M/B | DRAWN | CHECKED | WIRING | ENGR'S |
| | | | | | |

| | | | |
|-----|-------|-------|-------|
| GBU | 10430 | 10433 | SHEET |
| | 10431 | 10434 | 2-3 |
| | 10432 | | |

0 5 Centimetres 10 15 20 25 30

AS SEEN FROM REAR

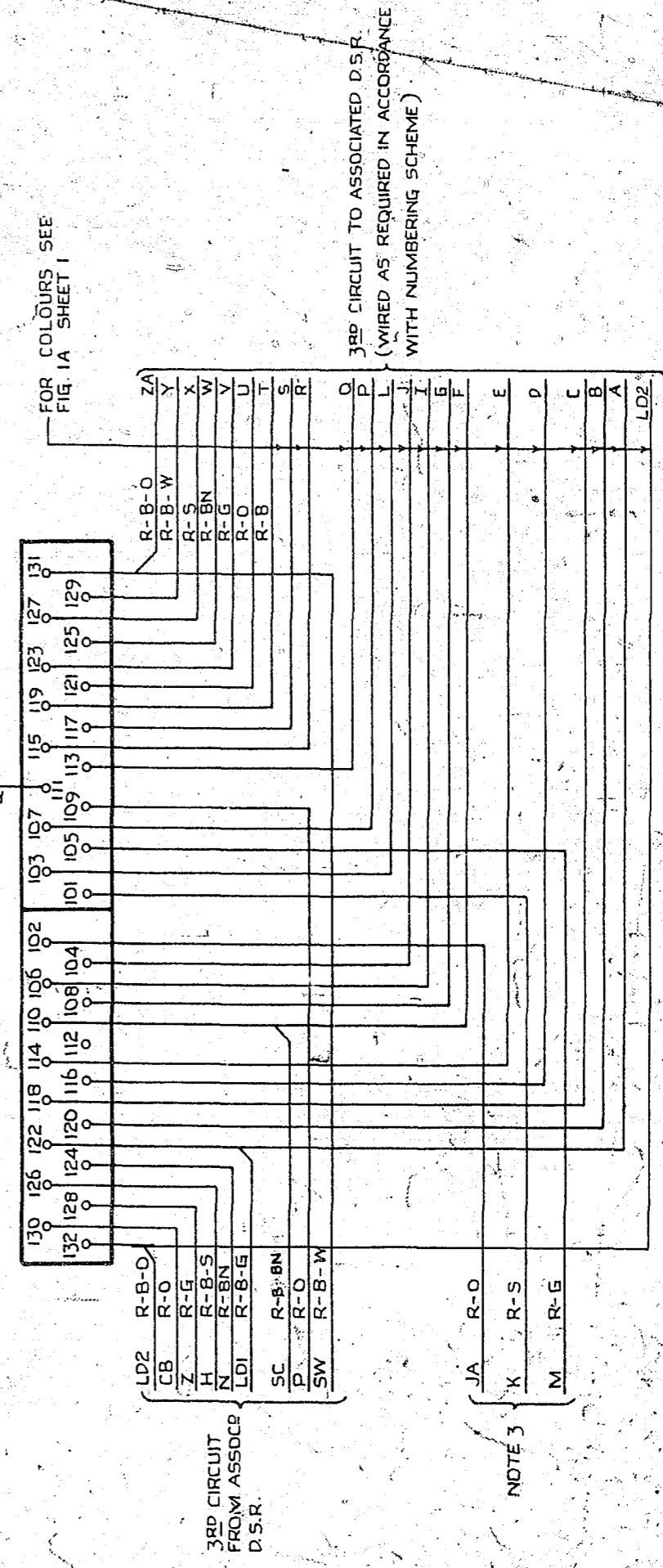
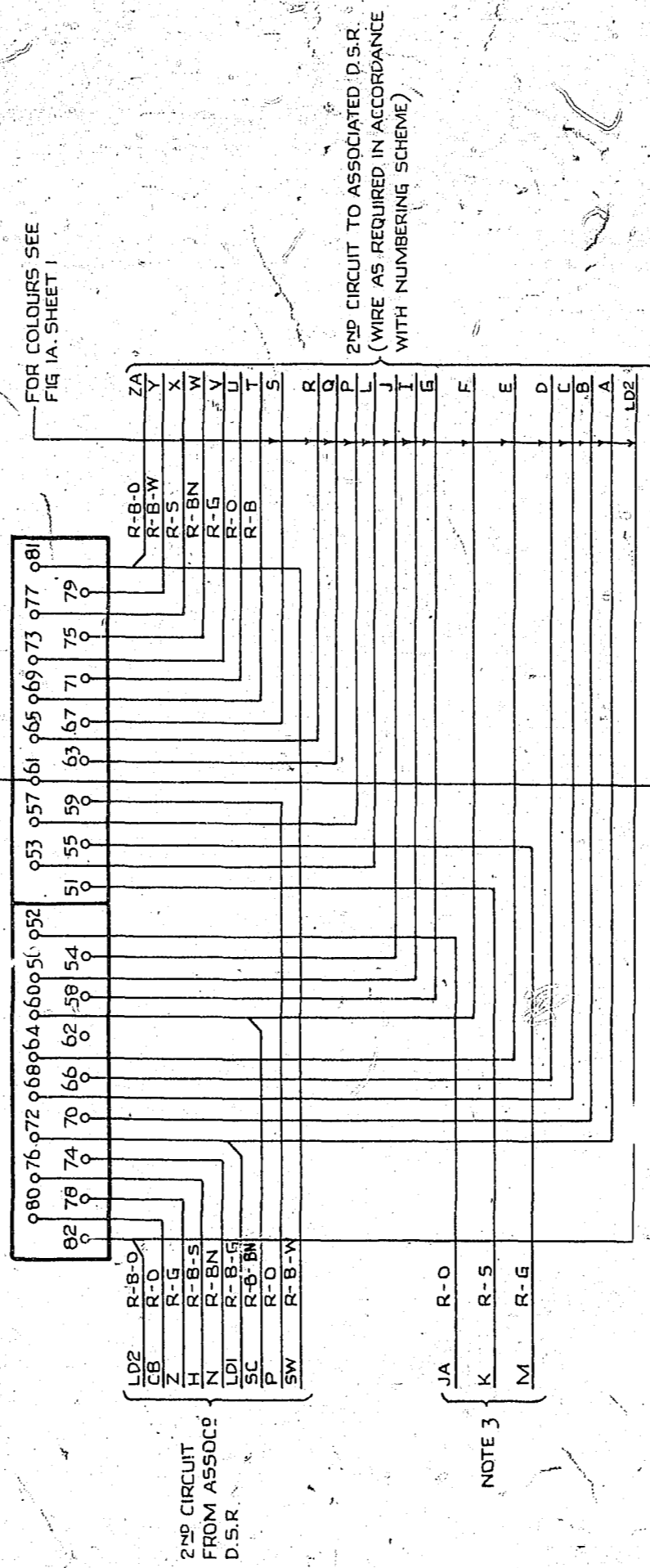
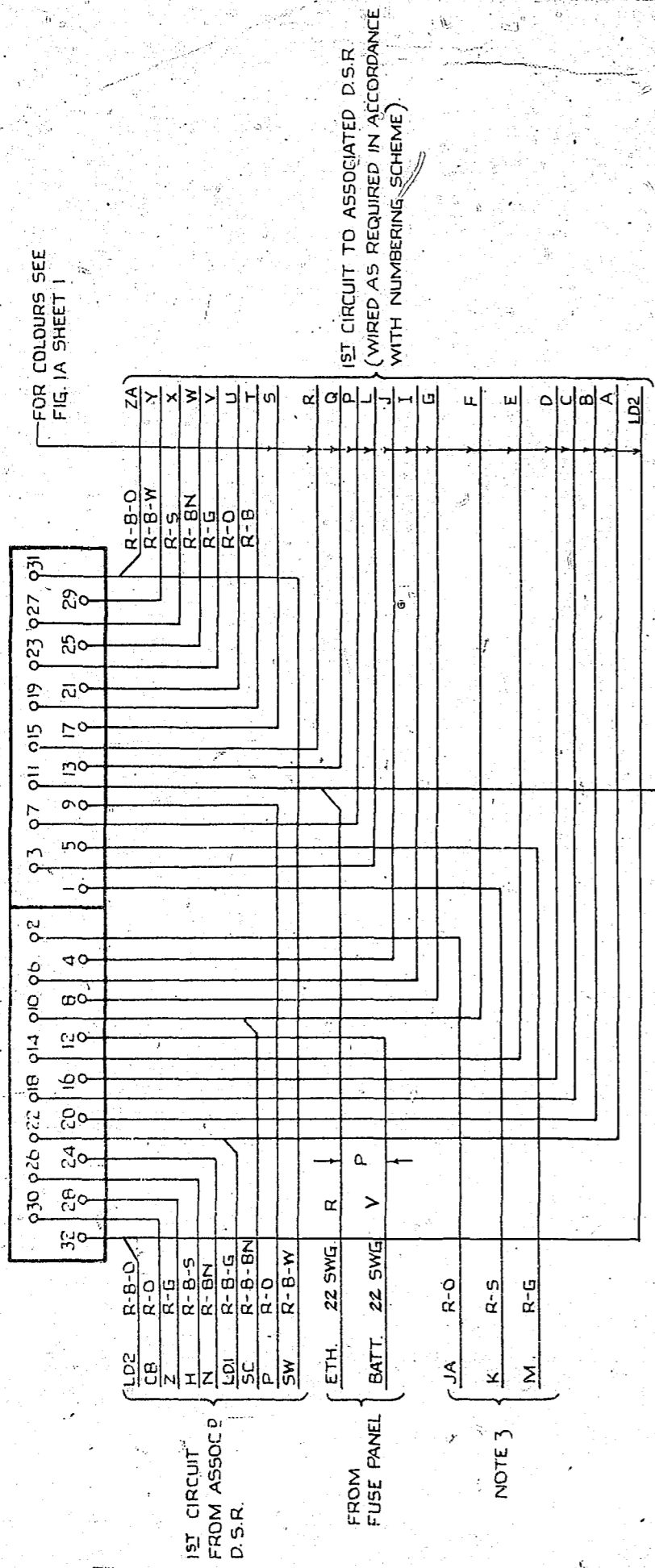


FIG. 1D
DISCRIMINATING RELAY SET

ABSORBS 1ST & 2ND DIGIT
DISCRIMINATES ON 1ST, 2ND & 3RD
(3 CIRCUITS PER BASE)

NOTES

1. ALL WIRING TO BE 25 SWG. UNLESS OTHERWISE SPECIFIED
2. JACK POINTS U9 & U11, U59 & U61, U109 & U111 TO MAKE CONTACT WHEN RELAY SET IS REMOVED.
3. LEADS M, K & JA ARE LOOPED TO POINTS ON SAME SHELF JACK AS REQUIRED IN ACCORDANCE WITH NUMBERING SCHEME.
4. ON SOME EARLY EQUIPMENT BATTERY WIRING IS BK.

| NOTE 4 & DGM NO 10434 ADDED (13433) | | 10 | 27.11.69 | Rw |
|---------------------------------------|--|------------------|----------|---------|
| NO CHANGE ISSUE ADVANCED ONLY (46620) | | 9 | 31.8.66 | KCH |
| LD2 DISCRIMINATION LEADS ADDED | | 8 | 31.8.66 | KCH |
| 10433 ADDED TO DGM. NUMBER (89769) | | 7 | 28.8.64 | XC |
| WIRE SIZES REVISED (69525) | | 6 | 20.11.63 | DBH |
| NO CHANGE ISSUE ADVANCED ONLY (41796) | | 5 | 26.5.61 | WLB |
| (31668) | | 4 | 4.5.54 | CLM |
| AMENDMENT PARTICULARS | | ISSUE | DATE | APP'D |
| N.Z. P.O. | | | | |
| DRAWN | | CHECKED | WIRING | CIRCUIT |
| | | | | |
| | | GBU. 10430 10433 | | SHEET |
| | | 10431 10434 | | 3-3 |
| | | 10432 | | |
| | | | | 50V E |