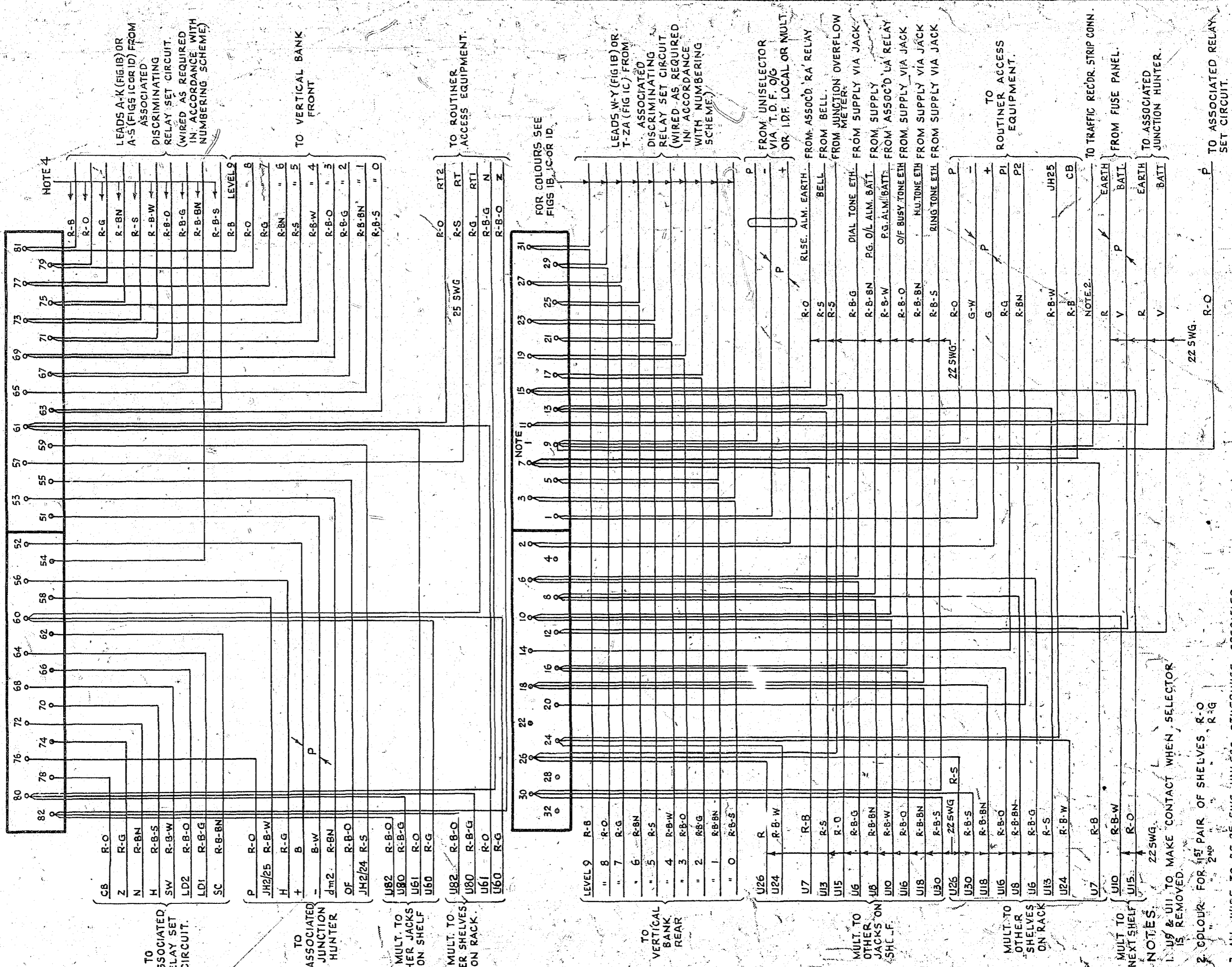


0 5 Centimetres 10 15 20 25 30

FIG. 1A, 1E, 1F OR 1G.
D.S.P. COIN BOX
AS SEEN FROM REAR



TO ASSOCIATED RELAY SET CIRCUIT.

TO ASSOCIATED JUNCTION HUNTER

MULT. TO OTHER JACKS ON SHELF

MULT. TO OTHER SHELVES ON RACK.

TO VERTICAL BANK REAR

MULT. TO OTHER JACKS ON SHELF

MULT. TO OTHER SHELVES ON RACK

MULT. TO NEXT SHELF

NOTES

1. U8 & U11 TO MAKE CONTACT WHEN SELECTOR IS REMOVED.

2. COLOUR FOR 1ST PAIR OF SHELVES, R-O R-G

3. ALL WIRE TO BE 25-SWG UNLESS OTHERWISE SPECIFIED.

4. THESE COLOURS APPLY ONLY WHEN SELECTOR IS USED IN CONJUNCTION WITH 5. ON SOME EARLY EQUIPMENT BATTERY WIRING IS BK. RELAY SET TO GBW 10430/112/14/ FIG. 1C OR GBW 10431/13/4/ FIG. 1D. WHEN USED WITH FIG. 1B SEE GBW 10430/1430 FIG. 1B FOR COLOURS OF THESE LEADS.

10433 ADDED TO DGM. NUMBER (89769)	7	28-8-64	STR
REF TO I.D.F. LOCAL ADDED. WIRE SIZES REVISED. (69525)	6A	20-11-63	MB
FIGS. 1E, 1F & 1G ADDED (41796)	5A	26-5-61	MB
NOTE 5 & DGM. No. 10434 ADDED (13433)	10	27-11-69	RW
REF TO I.O.F. MULT ADDED (46820)	9	31-8-66	MB
NO. CHANGE. ISSUE ADVANCED ONLY	8	31-8-66	MB
AMENDMENT PARTICULARS	ISSUE	DATE	APPD
NZ. PO.			
DRAWN	CHECKED	WIRING	ENGINEER

DISCRIMINATING SELR REPEATER
COIN BOX
200 OUTLET
2000 TYPE

50V

GBU 10430 10433
10431 10434
10432

SHEET 1/3

5 Centimetres

10

15

20

25

30

AS SEEN FROM REAR

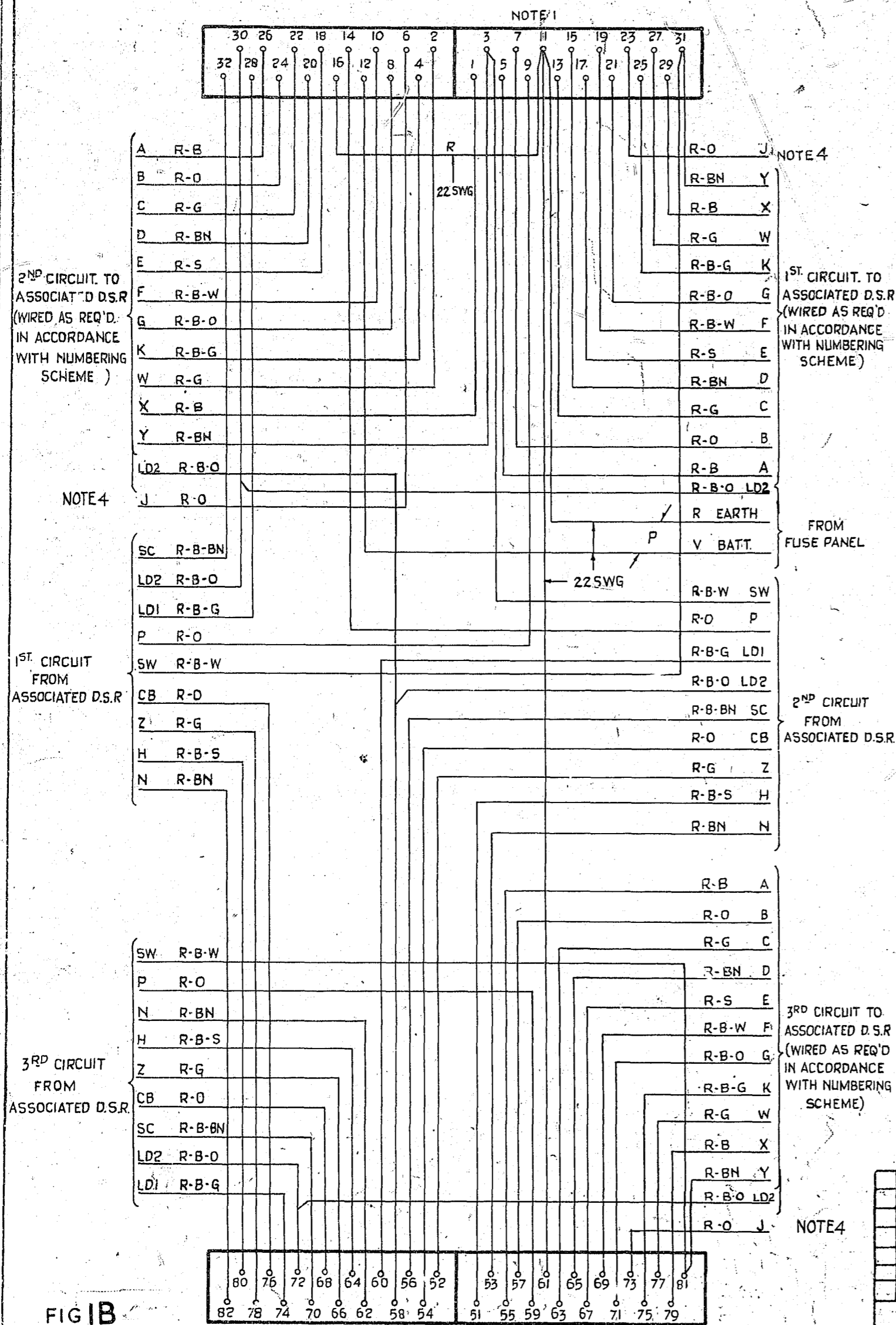


FIG 1B
DISCRIMINATING RELAY SET

ABSORBS 1ST DIGIT. DISCRIMINATES ON 1ST & 2ND

AS SEEN FROM REAR

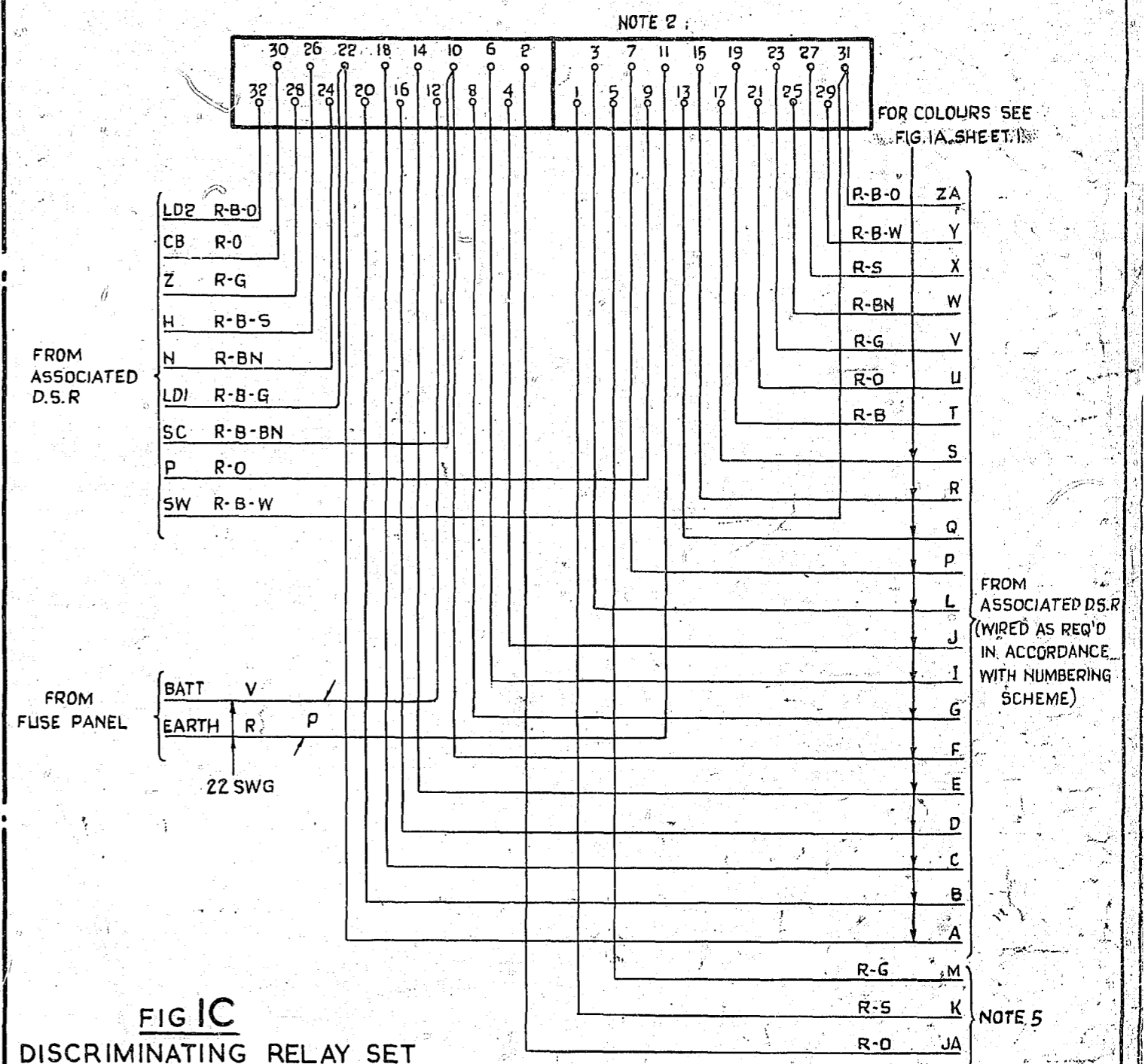


FIG 1C
DISCRIMINATING RELAY SET

ABSORBS 1ST & 2ND DIGITS. DISCRIMINATES ON 1ST, 2ND & 3RD
(ONE CIRCUIT PER BASE)

NOTES

- 1 JACK POINTS U9 & 11 U14 & 16 AND U59 & 61 (FIG. 1B) TO MAKE CONTACT WHEN RELAY SET IS REMOVED.
- 2 JACK POINTS U9 & 11 (FIG. 1C) TO MAKE CONTACT WHEN RELAY SET IS REMOVED.
- 3 ALL WIRING TO BE 25 SWG. UNLESS OTHERWISE SPECIFIED.
- 4 LEAD J (FIG. 1B) IS LOOPED TO POINT ON SAME SHELF JACK AS REQUIRED IN ACCORDANCE WITH NUMBERING SCHEME.
- 5 LEADS M, K & JA (FIG. 1C) ARE LOOPED TO POINTS ON SAME SHELF JACK AS REQUIRED IN ACCORDANCE WITH NUMBERING SCHEME.
- 6 ON SOME EARLY EQUIPMENT BATTERY WIRING IS BK.

AMENDMENT PARTICULARS	ISSUE	DATE	APP'D
10433 ADDED TO DGM; NUMBER (89769)	7	28-8-64	<i>DBH</i>
WIRE SIZES REVISED (69525)	6	20-11-63	<i>DBH</i>
NO CHANGE. ISSUE ADVANCED ONLY (41796)	5	26-5-61	<i>DBH</i>
NOTE 6 & DGM N° 10434 ADDED (13433)	10	27-11-69	<i>RW</i>
NO CHANGE ISSUE ADVANCED ONLY (46620)	9	31-8-66	<i>DBH</i>
LD2 DISCRIMINATION LEADS ADDED	8	31-8-66	<i>DBH</i>

N.Z. P.O.	M/B	DRAWN	CHECKED	WIRING	ENGINEERS
-----------	-----	-------	---------	--------	-----------

GBU	10430	10433	SHEET 2-3
	10431	10434	
	10432		

0 5 Centimetres 10 15 20 25 30

AS SEEN FROM REAR

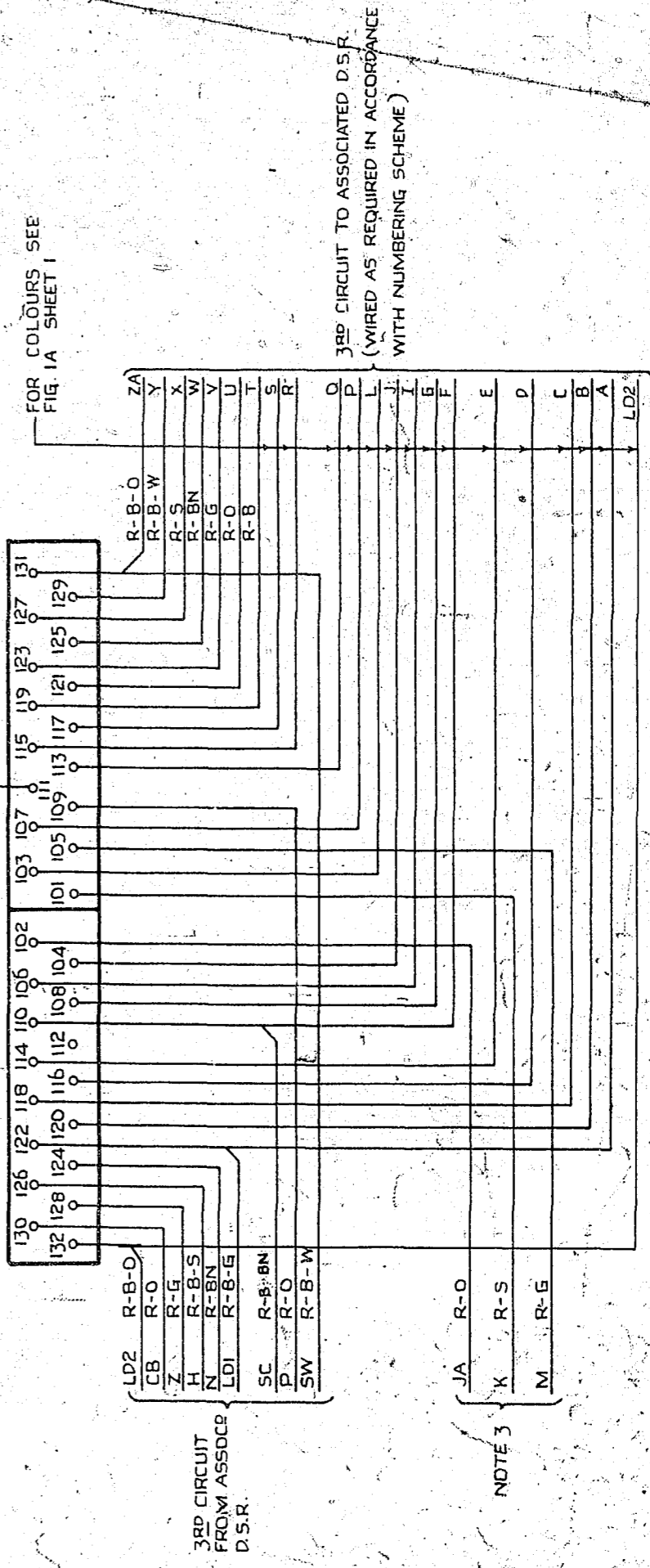
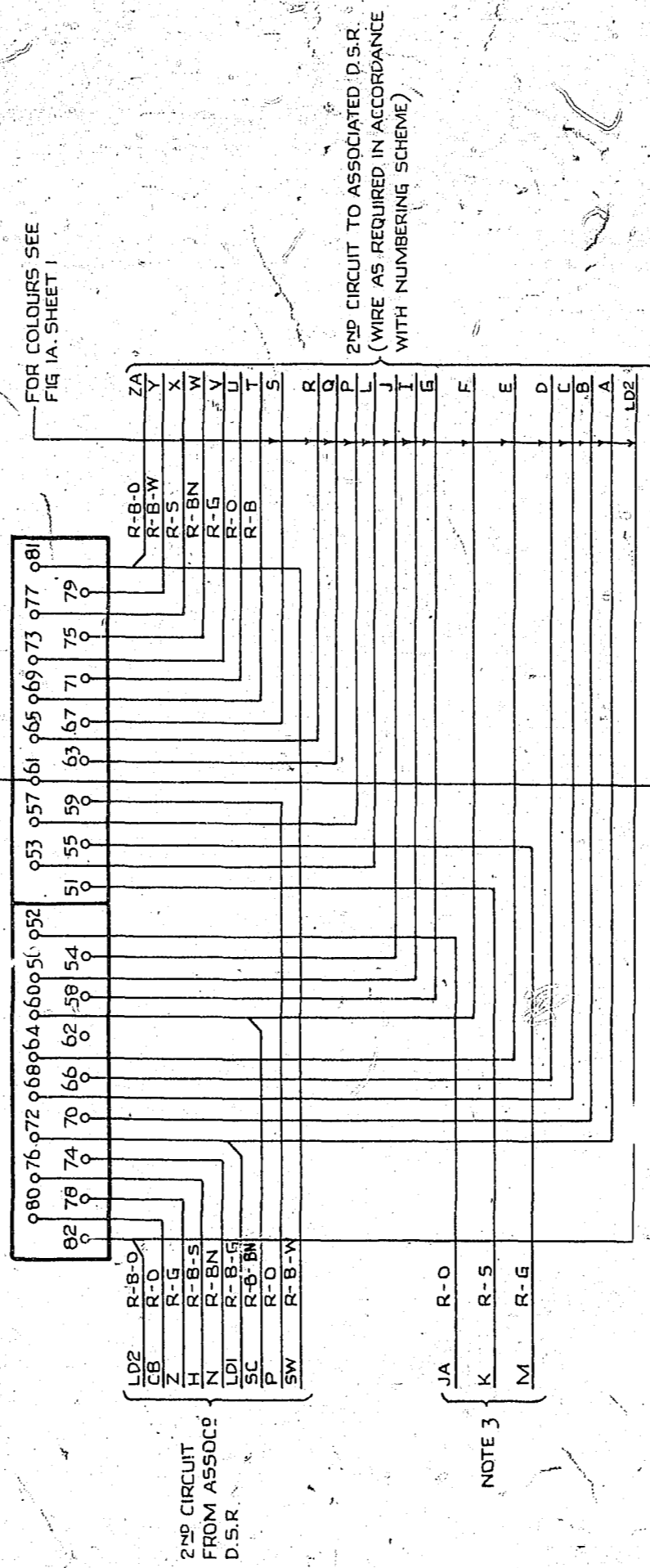
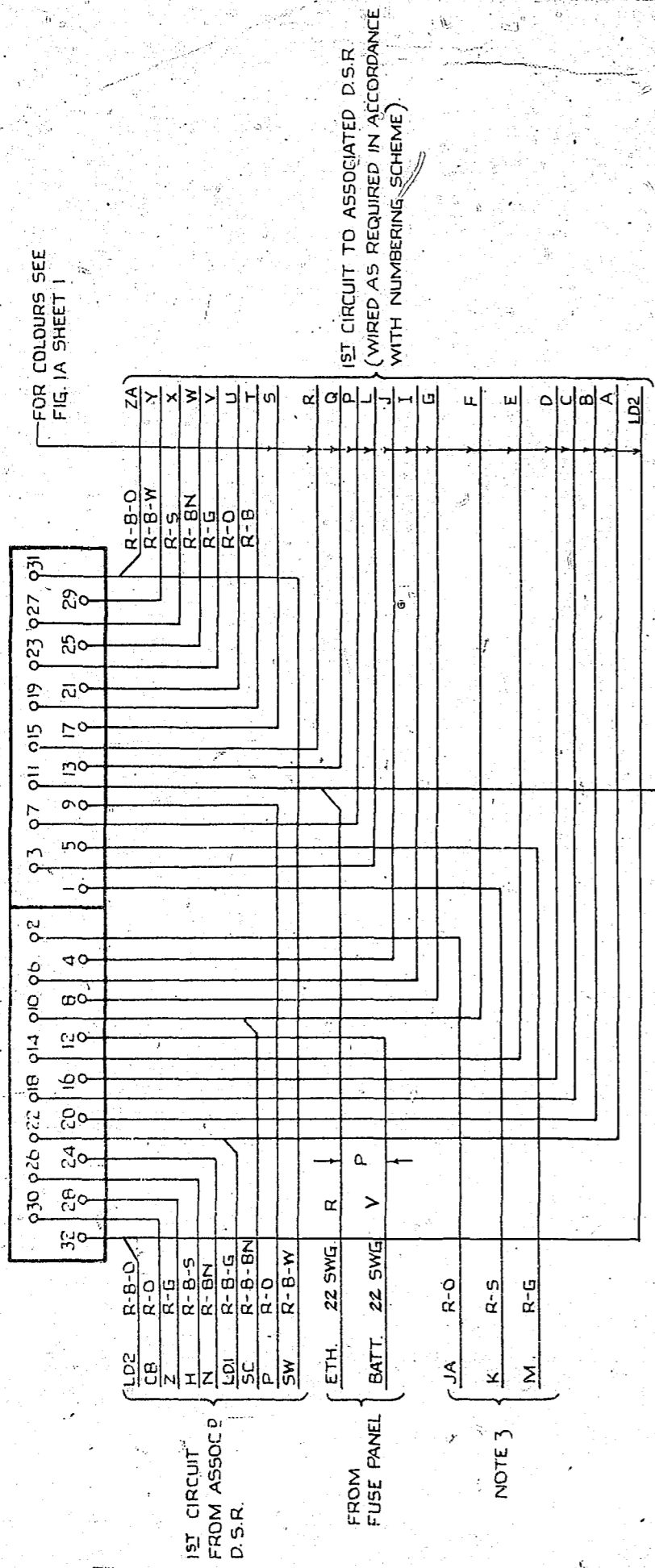


FIG. 1D
DISCRIMINATING RELAY SET

ABSORBS 1ST & 2ND DIGIT
DISCRIMINATES ON 1ST, 2ND & 3RD
(3 CIRCUITS PER BASE)

NOTES

1. ALL WIRING TO BE 25 SWG. UNLESS OTHERWISE SPECIFIED
2. JACK POINTS U9 & U11, U59 & U61, U109 & U111 TO MAKE CONTACT WHEN RELAY SET IS REMOVED.
3. LEADS M, K & JA ARE LOOPED TO POINTS ON SAME SHELF JACK AS REQUIRED IN ACCORDANCE WITH NUMBERING SCHEME.
4. ON SOME EARLY EQUIPMENT BATTERY WIRING IS BK.

AMENDMENT PARTICULARS				ISSUE	DATE	APP'D	50V	E
NOTE 4 & DGM NO 10434 ADDED (13433)				10	27.11.69	Rw		
NO CHANGE ISSUE ADVANCED ONLY (46620)				9	31.8.66	KCH		
LD2 DISCRIMINATION LEADS ADDED				8	31.8.66	KCH		
10433 ADDED TO DGM. NUMBER (89769)				7	28.8.64	XC		
WIRE SIZES REVISED (69525)				6	20.11.63	DBH		
NO CHANGE ISSUE ADVANCED ONLY (41796)				5	26.5.61	WLB		
(31668)				4	4.5.54	CLM		
DISCRIMINATING SEL'R REPEATER COIN BOX 200 OUTLET 2000 TYPE								
GBU. 10430 10433 10431 10434 10432							SHEET	3-3

N.Z. P.O.

DRAWN CHECKED

WIRING CIRCUIT

EN