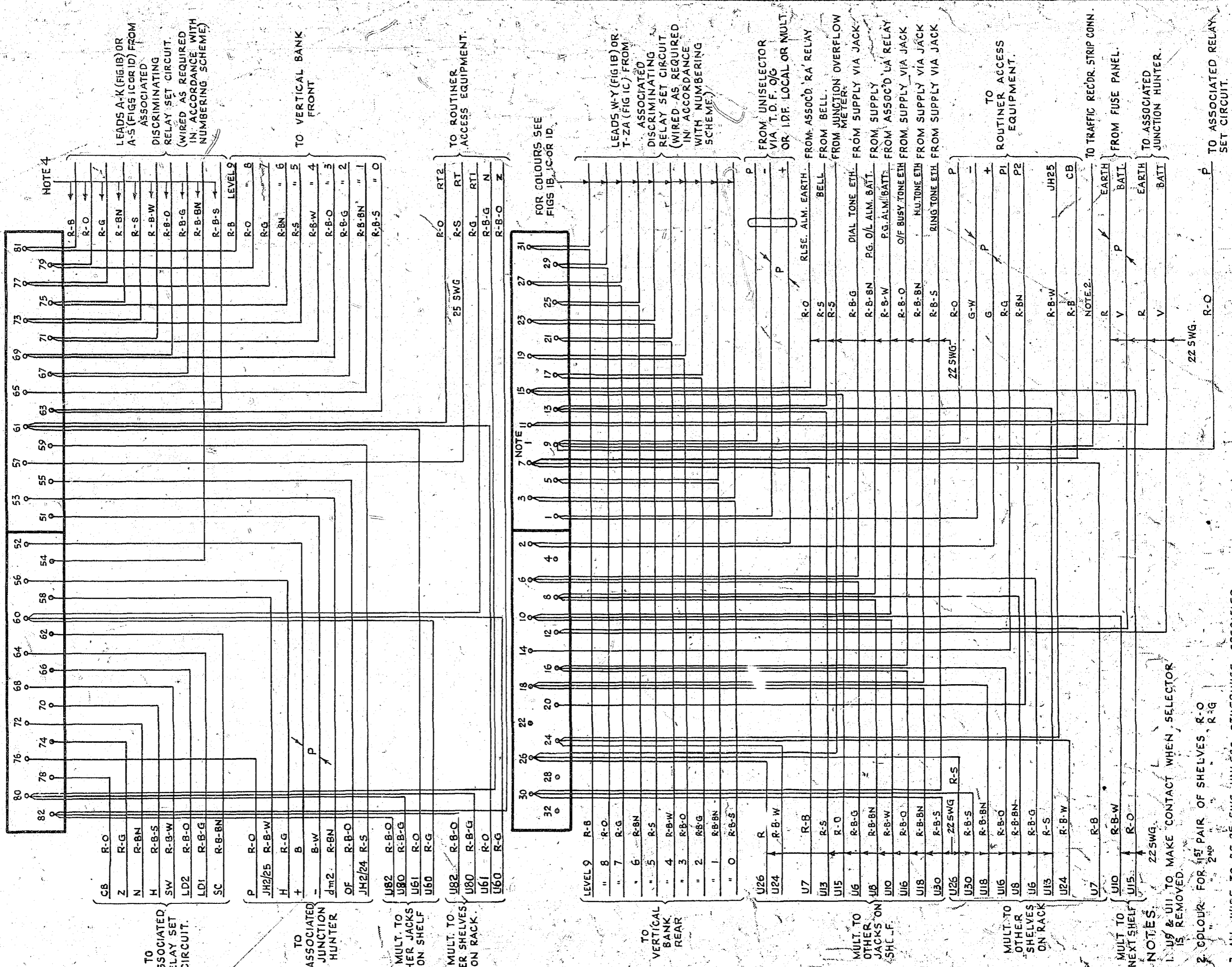


FIG. 1A, 1E, 1F OR 1G.
D.S.R. COIN BOX
AS SEEN FROM REAR



10433 ADDED TO DGM. NUMBER (89769)	7	28-8-64	STR
REF TO I.D.F. LOCAL ADDED. WIRE SIZES REVISED (69525)	6A	20-11-63	MB
FIGS 1E, 1F & 1G ADDED (41796)	5A	26-5-61	MB
NOTE 5 & DGM. No 10434 ADDED (13433)	10	27-11-69	RW
REF TO I.O.F. MULT ADDED (46820)	9	31-8-66	MB
NO. CHANGE. ISSUE ADVANCED ONLY	8	31-8-66	MB
AMENDMENT PARTICULARS	ISSUE	DATE	APPD.
N.Z. PO.	DRAWN	CHECKED	WIRING
			ENGINEER

**DISCRIMINATING SELR REPEATER
COIN BOX
200 OUTLET
2000 TYPE**

GBU 10430 10433
10431 10434
10432

SHEET 3

NOTES:
1. U8 & U11 TO MAKE CONTACT WHEN SELECTOR IS REMOVED.
2. COLOUR FOR 1ST PAIR OF SHELVES, R-O, R-G.
3. ALL WIRE TO BE 25 SWG UNLESS OTHERWISE SPECIFIED.
4. THESE COLOURS APPLY ONLY WHEN SELECTOR IS USED IN CONJUNCTION WITH 5. ON SOME EARLY EQUIPMENT BATTERY WIRING IS BK. WHEN USED WITH FIG 1B SEE GBU 10430 FIG 1B FOR COLOURS OF THESE LEADS.

5 Centimetres

10

15

20

25

30

AS SEEN FROM REAR

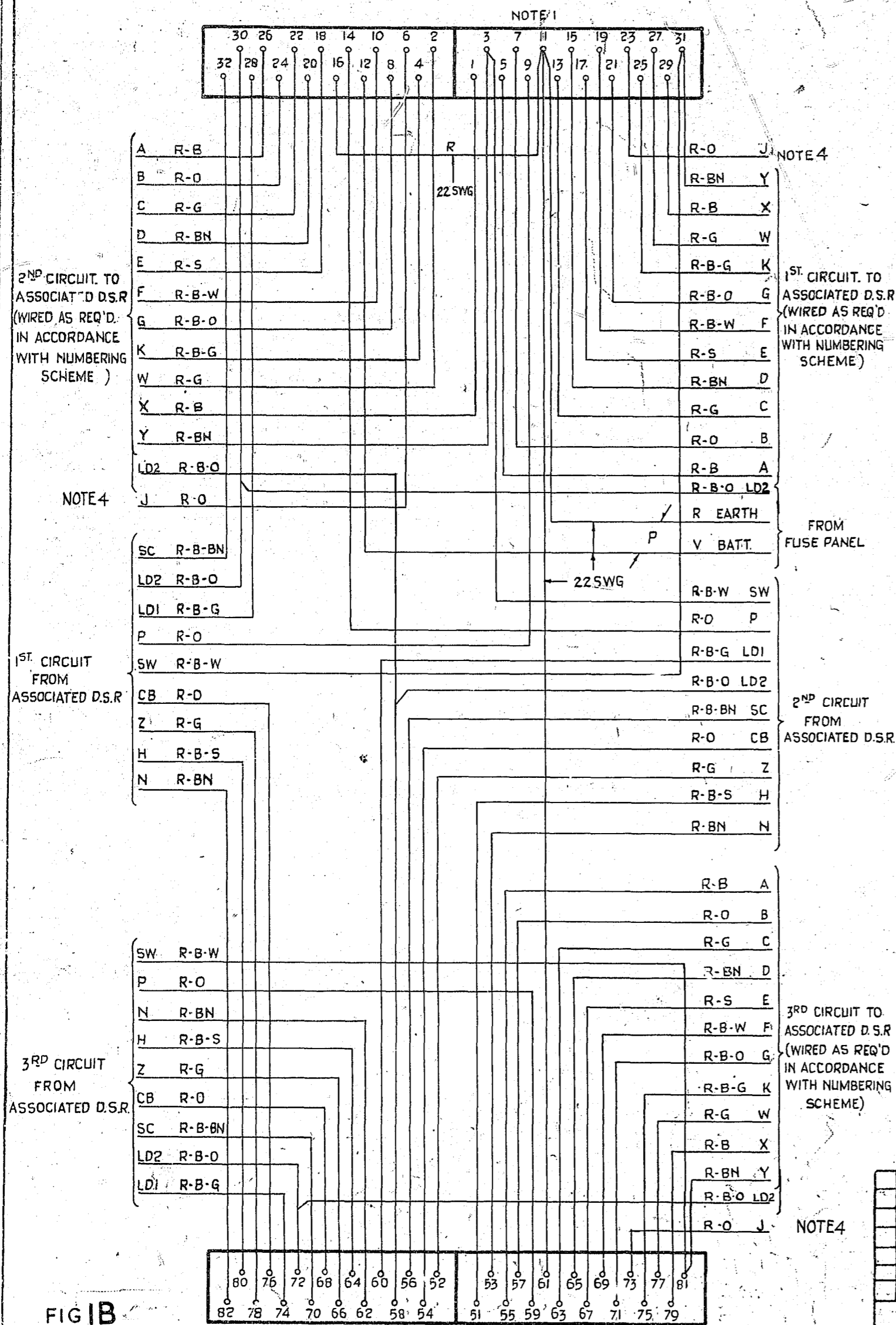


FIG 1B
DISCRIMINATING RELAY SET

ABSORBS 1ST DIGIT. DISCRIMINATES ON 1ST & 2ND

AS SEEN FROM REAR

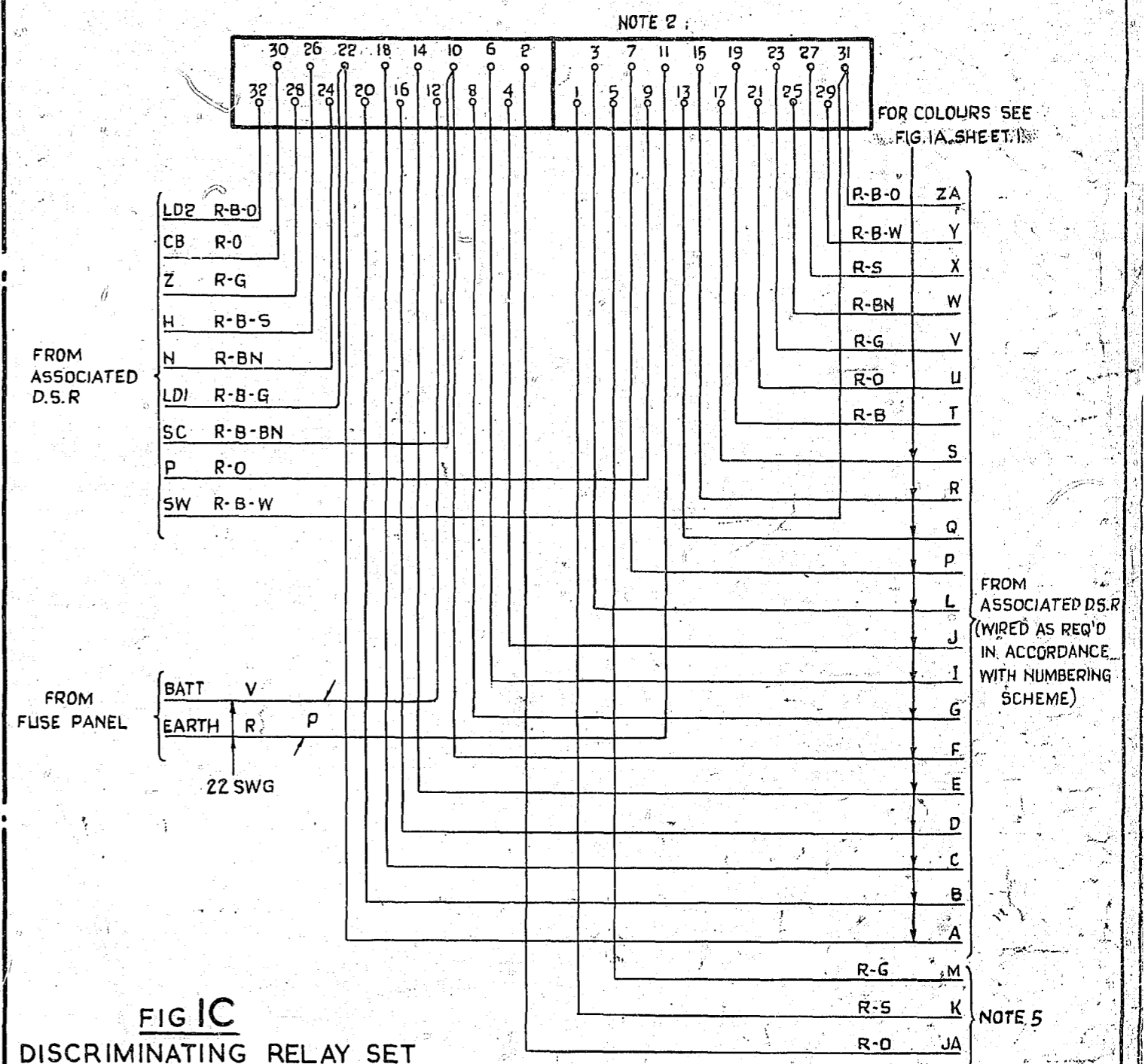


FIG 1C
DISCRIMINATING RELAY SET

ABSORBS 1ST & 2ND DIGITS. DISCRIMINATES ON 1ST, 2ND & 3RD
(ONE CIRCUIT PER BASE)

NOTES

- 1 JACK POINTS U9 & 11 U14 & 16 AND U59 & 61 (FIG. 1B) TO MAKE CONTACT WHEN RELAY SET IS REMOVED.
- 2 JACK POINTS U9 & 11 (FIG. 1C) TO MAKE CONTACT WHEN RELAY SET IS REMOVED.
- 3 ALL WIRING TO BE 25 SWG. UNLESS OTHERWISE SPECIFIED.
- 4 LEAD J (FIG. 1B) IS LOOPED TO POINT ON SAME SHELF JACK AS REQUIRED IN ACCORDANCE WITH NUMBERING SCHEME.
- 5 LEADS M, K & JA (FIG. 1C) ARE LOOPED TO POINTS ON SAME SHELF JACK AS REQUIRED IN ACCORDANCE WITH NUMBERING SCHEME.
- 6 ON SOME EARLY EQUIPMENT BATTERY WIRING IS BK.

AMENDMENT PARTICULARS		ISSUE	DATE	APPD	50V	E
10433 ADDED TO DGM; NUMBER (89769)	7	28-8-64				
WIRE SIZES REVISED (69525)	6	20-11-63	DBH			
NO CHANGE. ISSUE ADVANCED ONLY (41796)	5	26-5-61				
NOTE 6 & DGM N° 10434 ADDED (13433)	10	27-11-69	RW			
NO CHANGE ISSUE ADVANCED ONLY (46620)	9	31-8-66				
LD2 DISCRIMINATION LEADS ADDED	8	31-8-66				

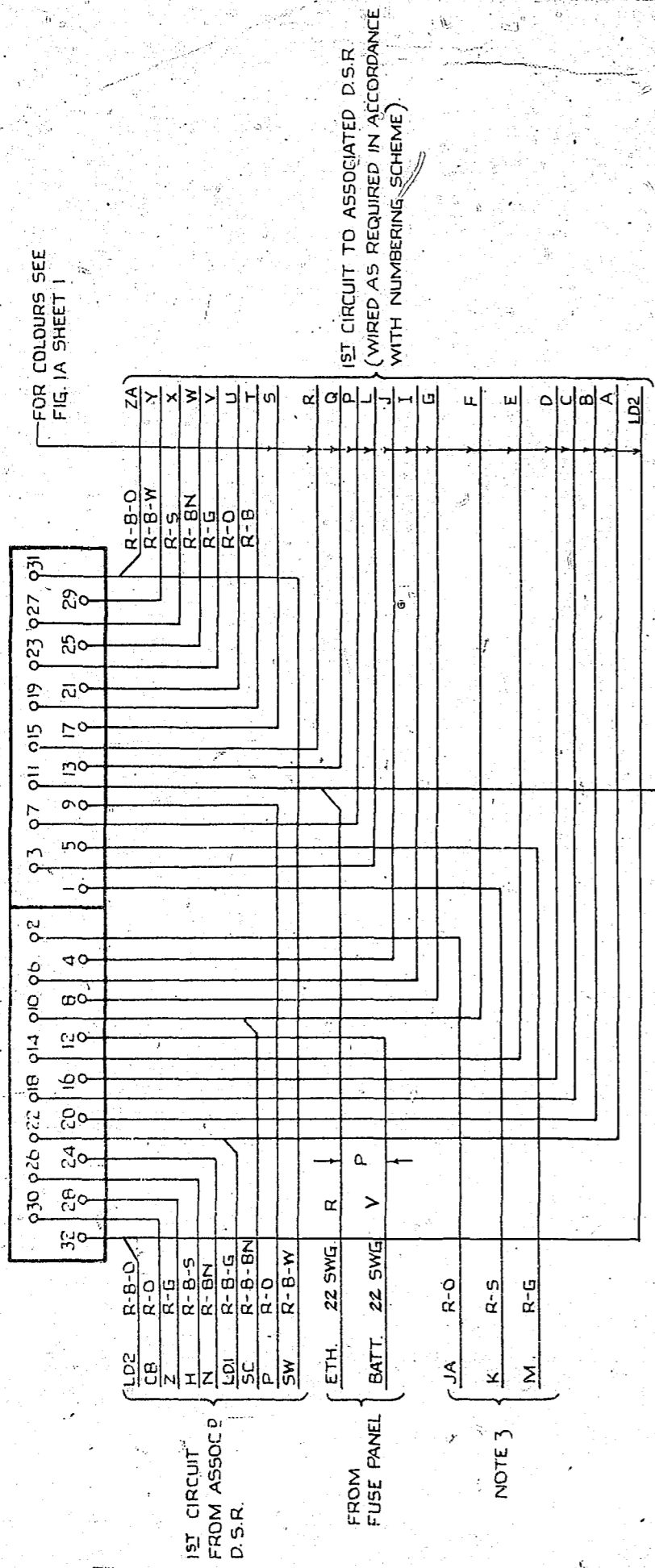
N.Z. P.O.	M	DRAWN	CHECKED	WIRING	ENGINEERS	GBU	10430	10433	SHEET
							10431	10434	2-3
							10432		

DISCRIMINATING SELF REPEATER
COIN BOX
200 OUTLET
2000 TYPE

GBU 10430 10433
10431 10434
10432

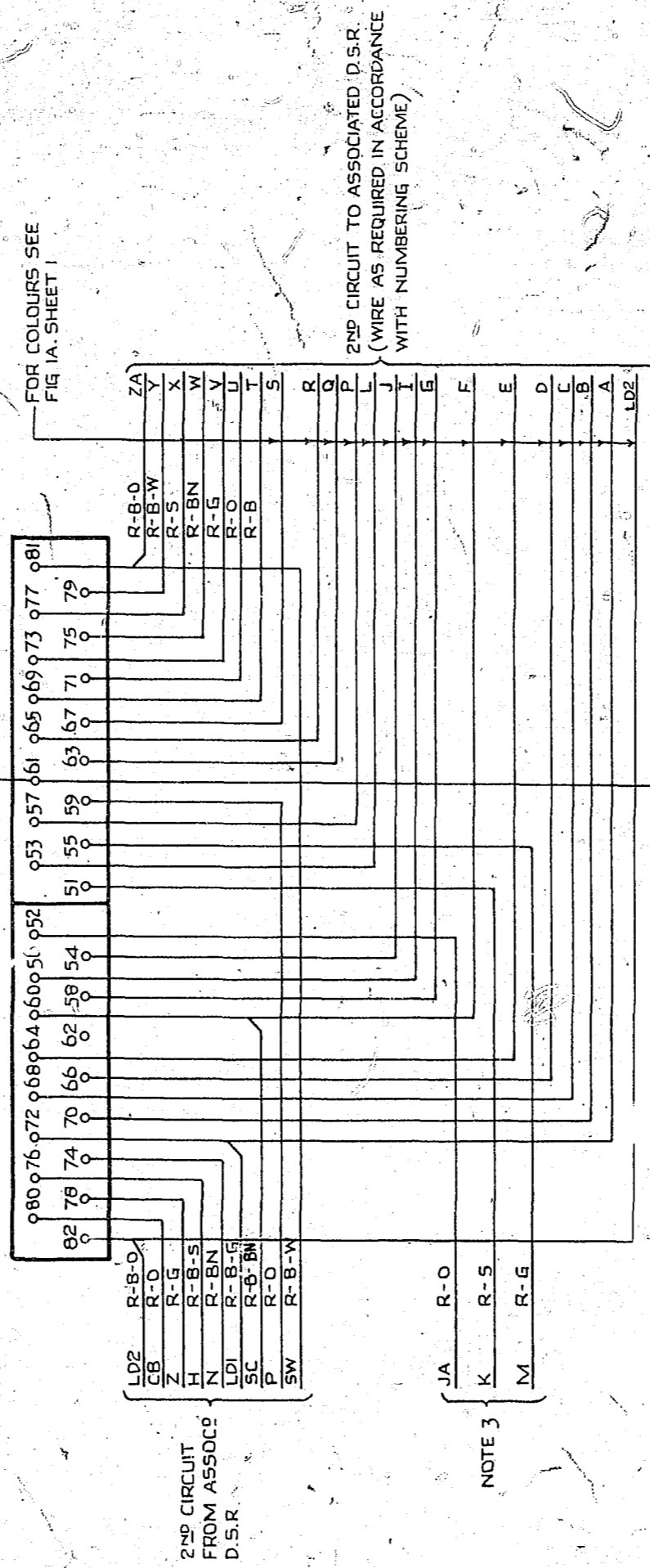
0 5 Centimetres 10 15 20 25 30

AS SEEN FROM REAR



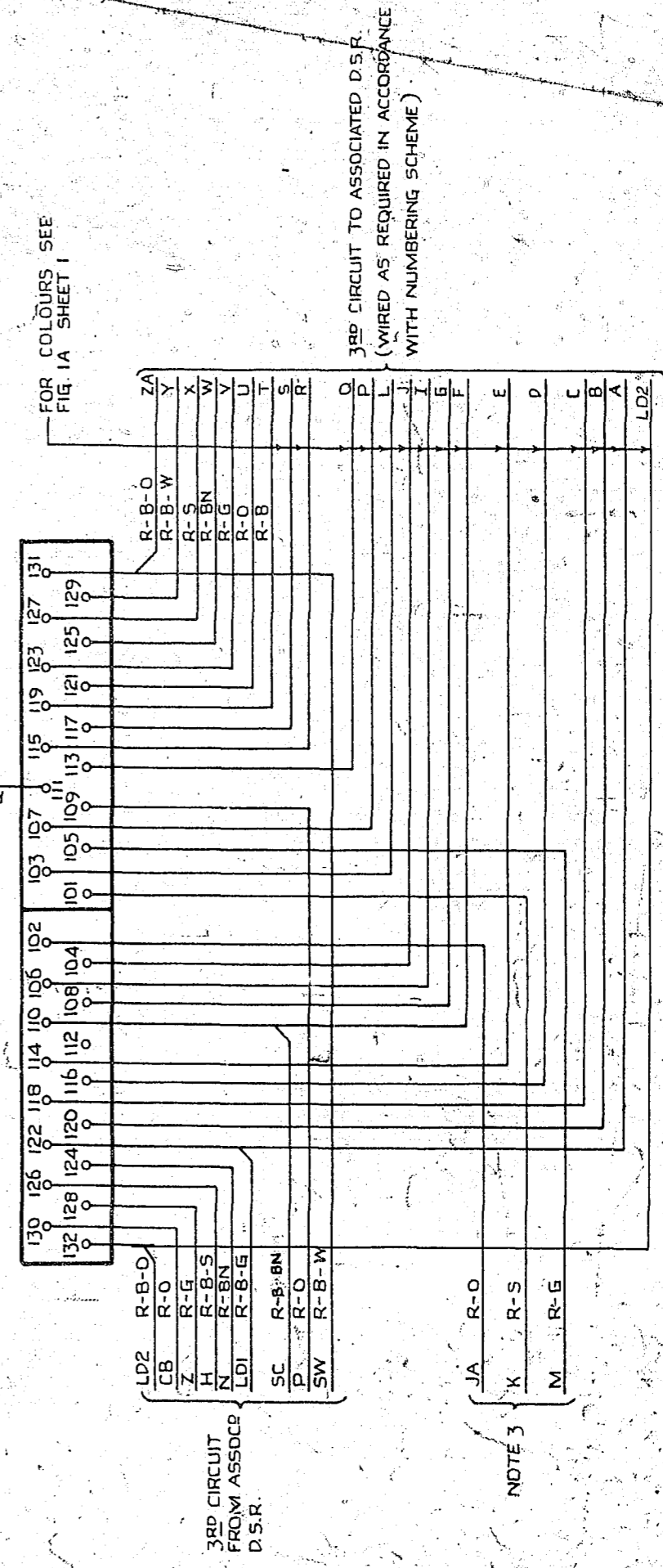
1ST CIRCUIT TO ASSOCIATED D.S.R.
(WIRED AS REQUIRED IN ACCORDANCE
WITH NUMBERING SCHEME)

FOR COLOURS SEE
FIG. 1A SHEET 1



2ND CIRCUIT TO ASSOCIATED D.S.R.
(WIRED AS REQUIRED IN ACCORDANCE
WITH NUMBERING SCHEME)

FOR COLOURS SEE
FIG. 1A SHEET 1



3RD CIRCUIT TO ASSOCIATED D.S.R.
(WIRED AS REQUIRED IN ACCORDANCE
WITH NUMBERING SCHEME)

FOR COLOURS SEE
FIG. 1A SHEET 1

NOTES

1. ALL WIRING TO BE 25 SWG UNLESS OTHERWISE SPECIFIED
2. JACK POINTS U9 & U11, U59 & U61, U109 & U111 TO MAKE CONTACT WHEN RELAY SET IS REMOVED.
3. LEADS M, K & JA ARE LOOPED TO POINTS ON SAME SHELF JACK AS REQUIRED IN ACCORDANCE WITH NUMBERING SCHEME.
4. ON SOME EARLY EQUIPMENT BATTERY WIRING IS BK.

FIG. 1D
DISCRIMINATING RELAY SET

ABSORBS 1ST & 2ND DIGIT
DISCRIMINATES ON 1ST, 2ND & 3RD
(3 CIRCUITS PER BASE)

NOTE 4 & DGM NO 10434 ADDED (13433)	10	27.11.69	Rw	DISCRIMINATING SEL'R REPEATER COIN BOX 200 OUTLET 2000 TYPE
NO CHANGE ISSUE ADVANCED ONLY (46620)	9	31.8.66	KCH	
LD2 DISCRIMINATION LEADS ADDED	8	31.8.66	KCH	
10433 ADDED TO DGM. NUMBER (89769)	7	28.8.64	XC	
WIRE SIZES REVISED (69525)	6	20.11.63	DBH	
NO CHANGE ISSUE ADVANCED ONLY (41796)	5	26.5.61	WLB	50V E
(31668)	4	4.5.54	CLM	
AMENDMENT PARTICULARS	ISSUE	DATE	APPD	SHEET 3-3
N.Z. P.O.	DRAWN	CHECKED	WIRING	