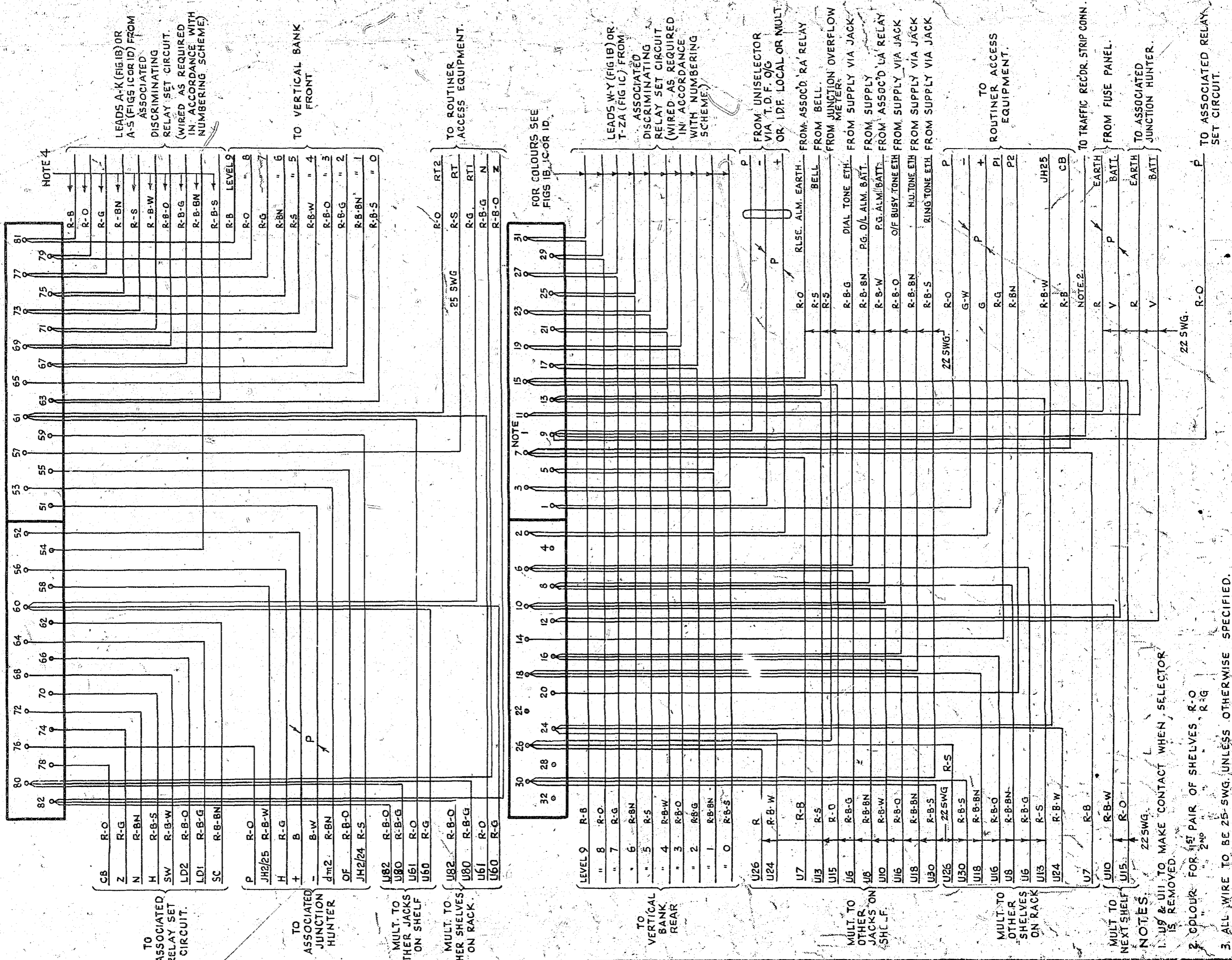


FIG. 1A, 1E, 1F OR 1G.
D.S.P. COIN BOX
AS SEEN FROM REAR



NOTES:
1. U8 & U11 TO MAKE CONTACT WHEN SELECTOR IS REMOVED.
2. COLOUR FOR 1ST PAIR OF SHELVES, R-O R-G
3. ALL WIRE TO BE 25 SWG UNLESS OTHERWISE SPECIFIED.
4. THESE COLOURS APPLY ONLY WHEN SELECTOR IS USED IN CONJUNCTION WITH 5. ON SOME EARLY EQUIPMENT BATTERY WIRING IS BK. WHEN USED WITH FIG 1B SEE GBU 10430 FIG 1B FOR COLOURS OF THESE LEADS.

10433 ADDED TO DGM. NUMBER (89769)	7	28.8.64	STR
REF TO I.D.F. LOCAL ADDED. WIRE SIZES REVISED (69525)	6A	20.11.63	MB
FIGS 1E, 1F & 1G ADDED (41796)	5A	26.5.61	MB
NOTE 5 & DGM. No 10434 ADDED (13433)	10	27.11.69	RW
REF TO I.O.F. MULT ADDED (46820)	9	31.8.66	MB
NO. CHANGE. ISSUE ADVANCED ONLY	8	31.8.66	MB
AMENDMENT PARTICULARS	ISSUE	DATE	APPD
N.Z. PO	DRAWN	CHECKED	WIRING
			ENGINEER

**DISCRIMINATING SELFR REPEATER
COIN BOX
200 OUTLET
2000 TYPE**

50V

GBU 10430 10433
10431 10434
10432

SHEET 1/3

5 Centimetres

10

15

20

25

30

AS SEEN FROM REAR

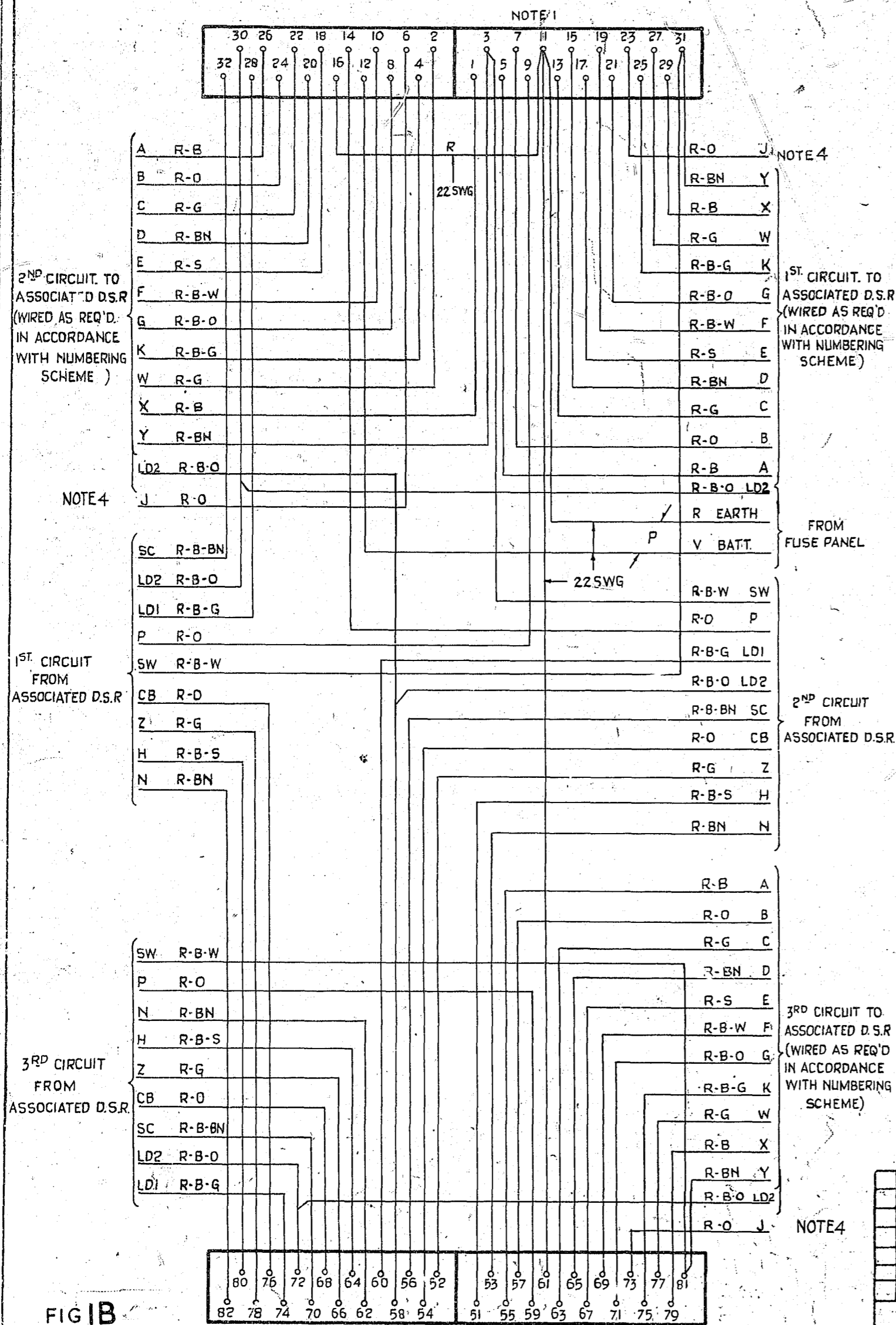


FIG 1B DISCRIMINATING RELAY SET

ABSORBS 1ST DIGIT. DISCRIMINATES ON 1ST & 2ND

AS SEEN FROM REAR

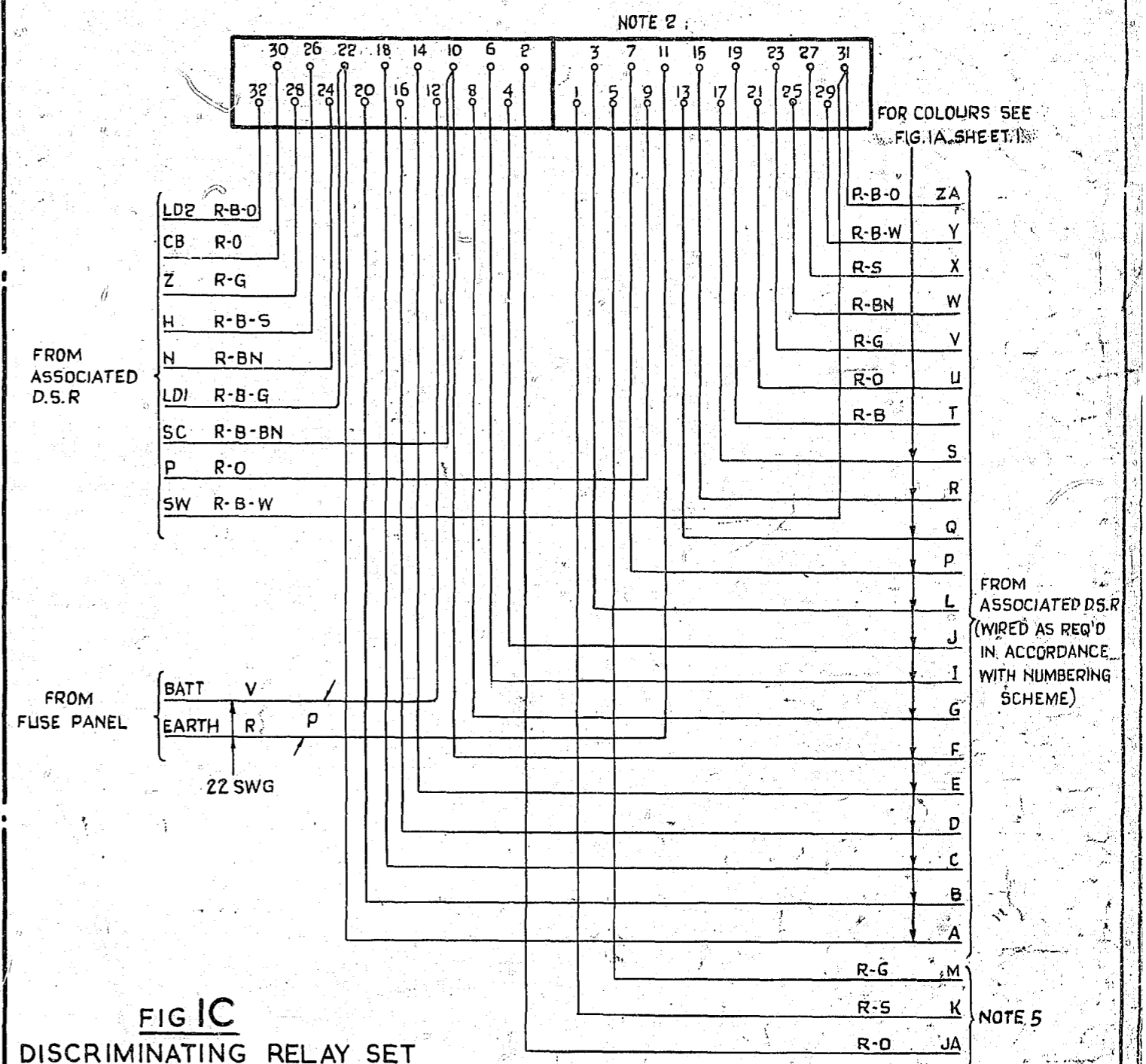


FIG 1C DISCRIMINATING RELAY SET

ABSORBS 1ST & 2ND DIGITS. DISCRIMINATES ON 1ST, 2ND & 3RD (ONE CIRCUIT PER BASE)

NOTES

- 1 JACK POINTS U9 & 11 U14 & 16 AND U59 & 61 (FIG. 1B) TO MAKE CONTACT WHEN RELAY SET IS REMOVED.
- 2 JACK POINTS U9 & 11 (FIG. 1C) TO MAKE CONTACT WHEN RELAY SET IS REMOVED.
- 3 ALL WIRING TO BE 25 SWG. UNLESS OTHERWISE SPECIFIED.
- 4 LEAD J (FIG. 1B) IS LOOPED TO POINT ON SAME SHELF JACK AS REQUIRED IN ACCORDANCE WITH NUMBERING SCHEME.
- 5 LEADS M, K & JA (FIG. 1C) ARE LOOPED TO POINTS ON SAME SHELF JACK AS REQUIRED IN ACCORDANCE WITH NUMBERING SCHEME.
- 6 ON SOME EARLY EQUIPMENT BATTERY WIRING IS BK.

AMENDMENT PARTICULARS				ISSUE	DATE	APPD
10433 ADDED TO DGM NUMBER (89769)	7	28-8-64	RA			
WIRE SIZES REVISED (69525)	6	20-11-63	DBH			
NO CHANGE. ISSUE ADVANCED ONLY (41796)	5	26-5-61	DBH			
NOTE 6 & DGM N° 10434 ADDED (13433)	10	27-11-69	RW			
NO CHANGE ISSUE ADVANCED ONLY (46620)	9	31-8-66	DBH			
LD2 DISCRIMINATION LEADS ADDED	8	31-8-66	DBH			

N.Z. P.O.	M/B	DRAWN	CHECKED	WIRING	ENGINEERS
-----------	-----	-------	---------	--------	-----------

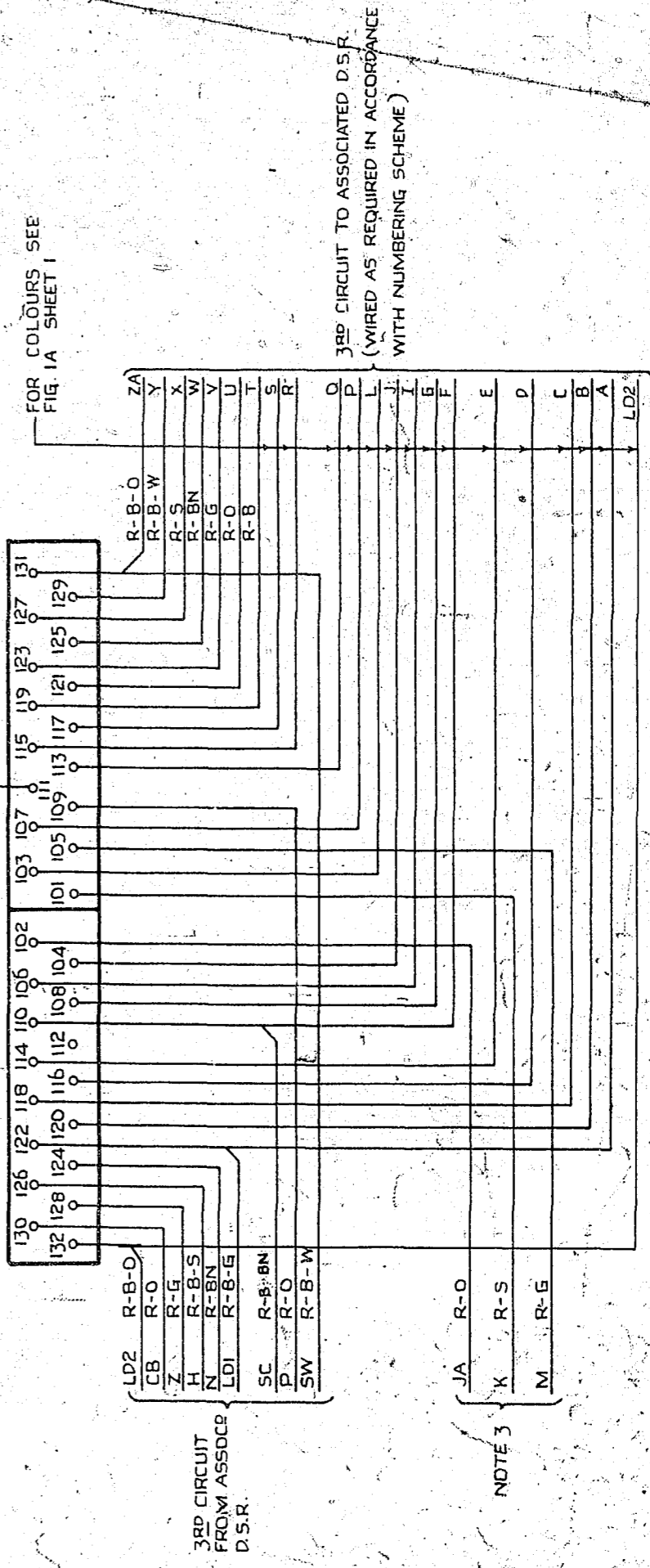
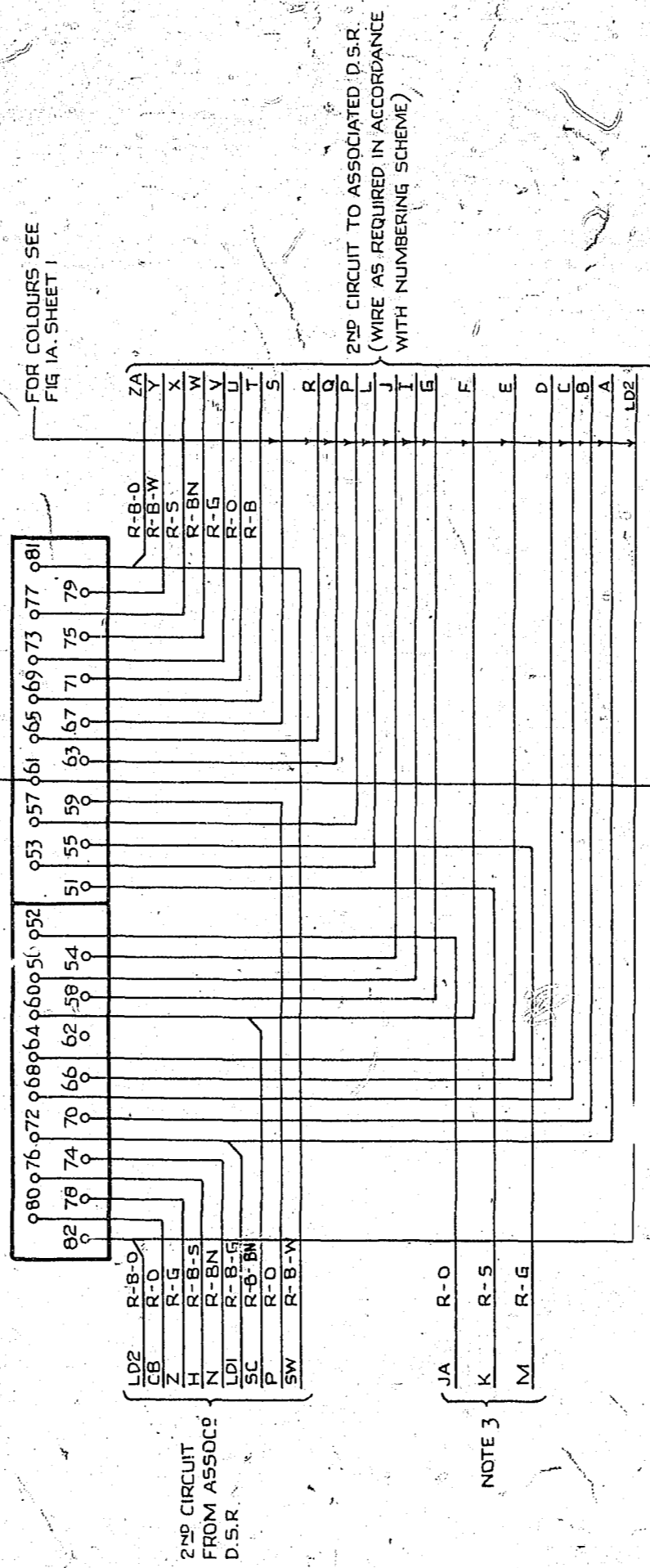
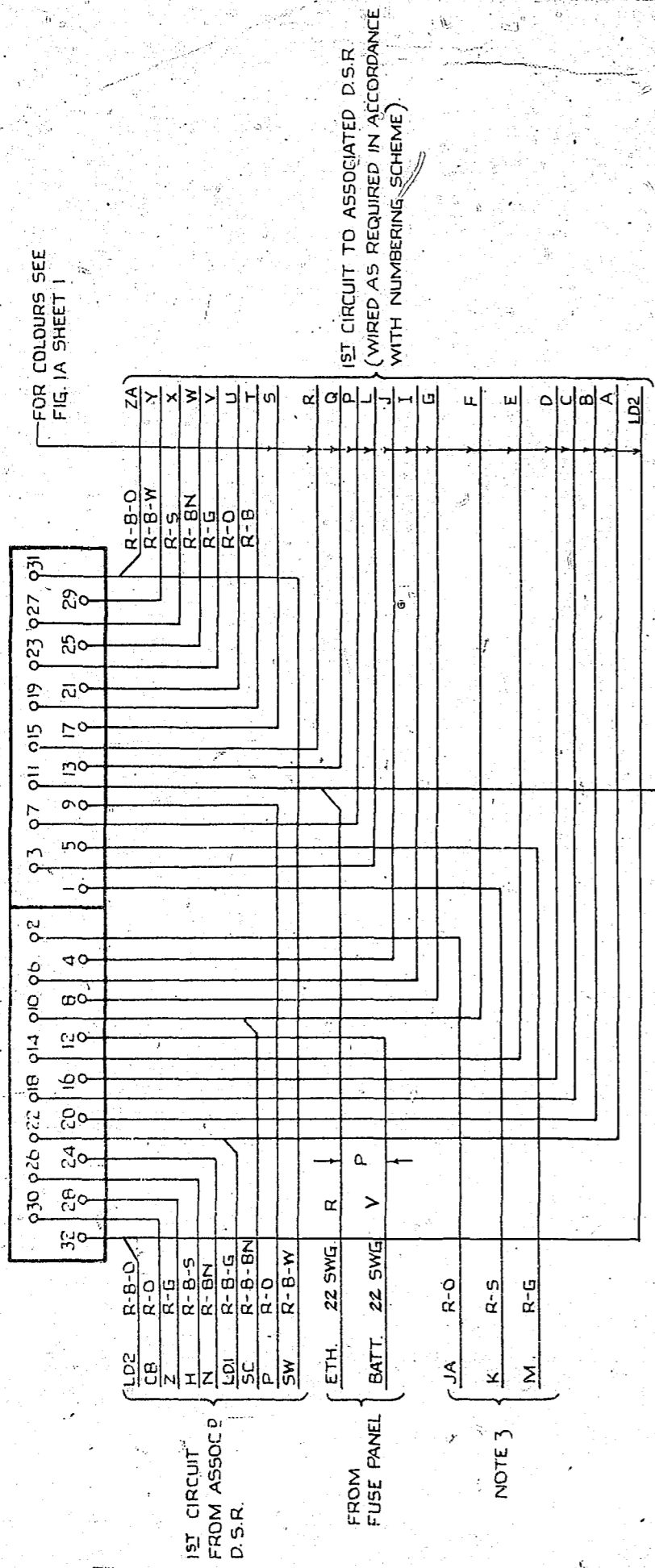
GBU	10430	10433	SHEET 2-3
	10431	10434	
	10432		

DISCRIMINATING SELF REPEATER COIN BOX. 200 OUTLET. 2000 TYPE.

50V

0 5 Centimetres 10 15 20 25 30

AS SEEN FROM REAR



NOTES

1. ALL WIRING TO BE 25 SWG UNLESS OTHERWISE SPECIFIED
2. JACK POINTS U9 & U11, U59 & U61, U109 & U111 TO MAKE CONTACT WHEN RELAY SET IS REMOVED.
3. LEADS M, K & JA ARE LOOPED TO POINTS ON SAME SHELF JACK AS REQUIRED IN ACCORDANCE WITH NUMBERING SCHEME.
4. ON SOME EARLY EQUIPMENT BATTERY WIRING IS BK.

AMENDMENT PARTICULARS		ISSUE	DATE	APP'D	50V	E
NOTE 4 & DGM NO 10434 ADDED (13433)		10	27.11.69	Rw		
NO CHANGE ISSUE ADVANCED ONLY (46620)		9	31.8.66	KCH		
LD2 DISCRIMINATION LEADS ADDED		8	31.8.66	KCH		
10433 ADDED TO DGM. NUMBER (89769)		7	28.8.64	XC		
WIRE SIZES REVISED (69525)		6	20.11.63	DBH		
NO CHANGE ISSUE ADVANCED ONLY (41796)		5	26.5.61	WLB		
(31668)		4	4.5.54	CLM		
DISCRIMINATING SEL'R REPEATER						
COIN BOX						
200 OUTLET						
2000 TYPE						
GBU. 10430 10433						SHEET
10431 10434						3-3
10432						

FIG. 1D
DISCRIMINATING RELAY SET

ABSORBS 1ST & 2ND DIGIT
DISCRIMINATES ON 1ST, 2ND & 3RD
(3 CIRCUITS PER BASE)