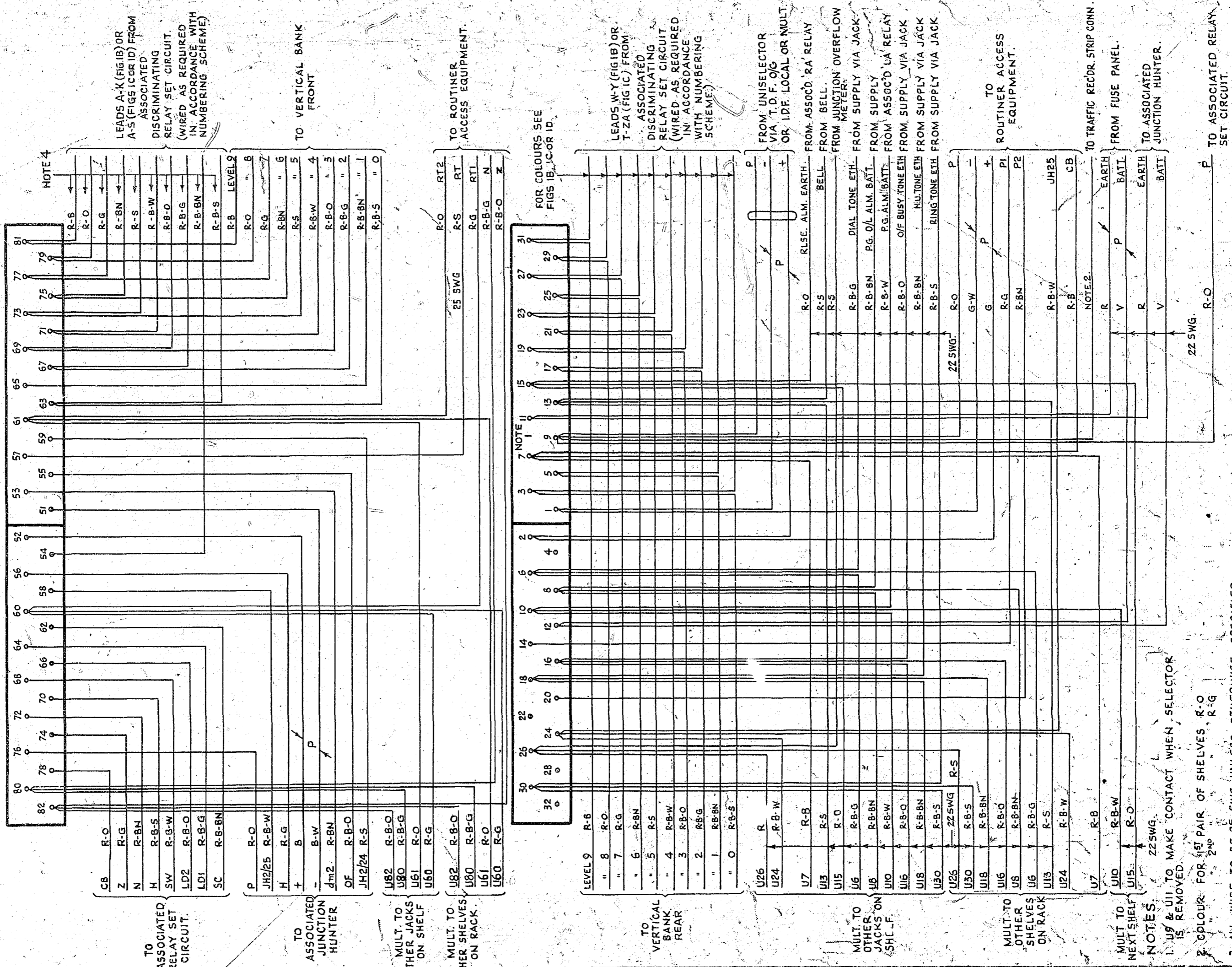


0 5 Centimetres 10 15 20 25 30

FIG. 1A, E, F OR IG.  
D.S.P. COIN BOX  
AS SEEN FROM REAR



10433 ADDED TO DGM. NUMBER (89769)	7	28-8-64	STR
REF TO I.D.F. LOCAL ADDED. WIRE SIZES REVISED. (69525)	6A	20-11-63	NBN
FIGS. 1E, 1F & 1G ADDED (41796)	5A	26-5-61	Mb
NOTE 5 & DGM. No 10434 ADDED (13433)	10	27-11-69	RW
REF TO I.O.F. MULT ADDED (46820)	9	31-8-66	NBN
NO. CHANGE. ISSUE ADVANCED ONLY	8	31-8-66	NBN
AMENDMENT PARTICULARS	ISSUE	DATE	APPD
N.Z. PO.	DRAWN	CHECKED	WIRING
			ENGINEER

**DISCRIMINATING SELF REPEATER COIN BOX 2000 TYPE**

50V F

GBU 10430, 10433, 10431, 10434, 10432

SHEET 1/3

- NOTES
- U8 & U11 TO MAKE CONTACT WHEN SELECTOR IS REMOVED.
  - COLOUR FOR 1ST PAIR OF SHELVES, R-O R-G
  - ALL WIRE TO BE 25-SWG UNLESS OTHERWISE SPECIFIED.
  - THESE COLOURS APPLY ONLY WHEN SELECTOR IS USED IN CONJUNCTION WITH 5. ON SOME EARLY EQUIPMENT BATTERY WIRING IS BK. RELAY SET TO GBW 10430/11/12/13/14 FIG 1C OR GBW 10437/13/14 FIG 1D. WHEN USED WITH FIG 1B SEE GBU 10430 FIG 1B FOR COLOURS OF THESE LEADS.

5 Centimetres

10

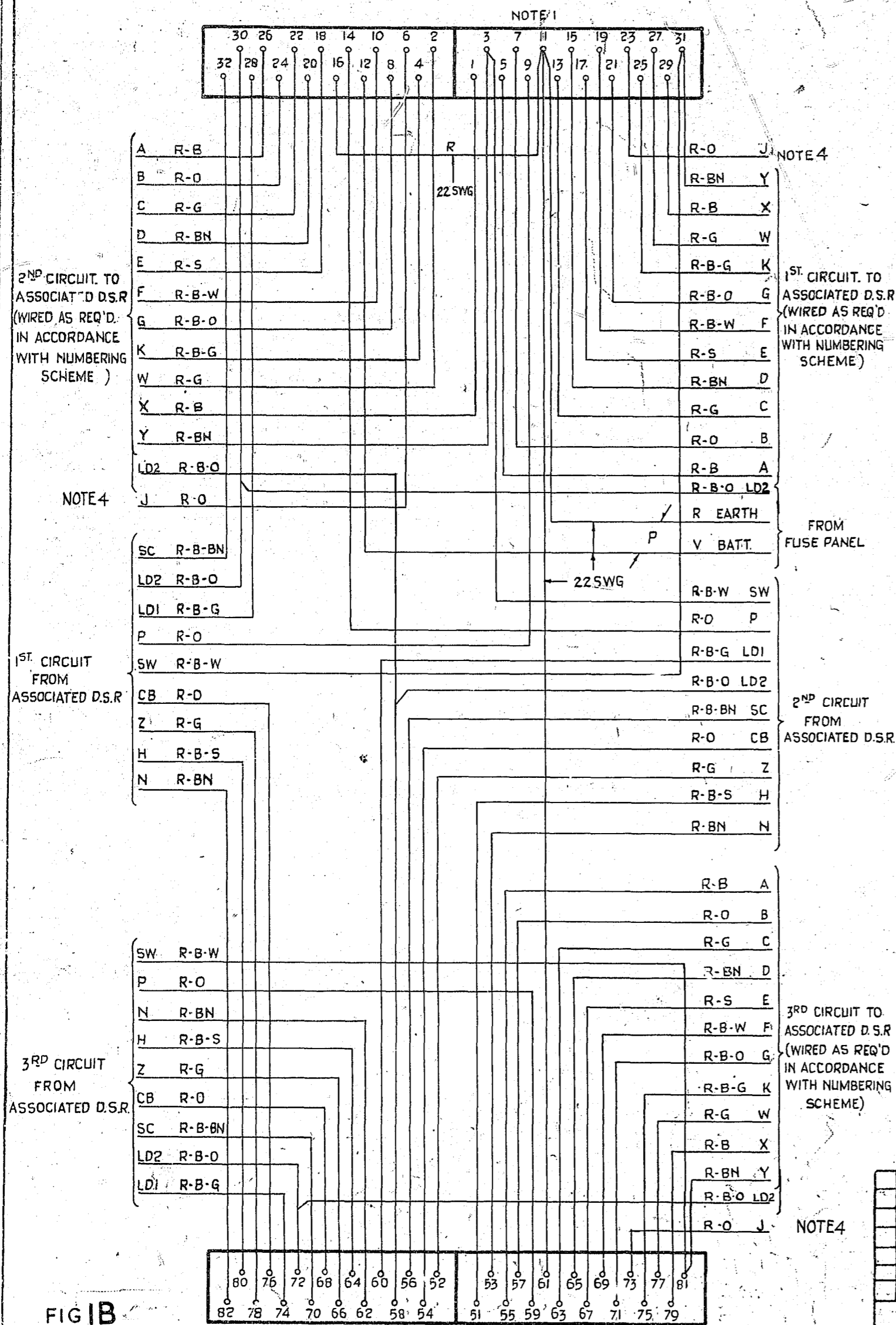
15

20

25

30

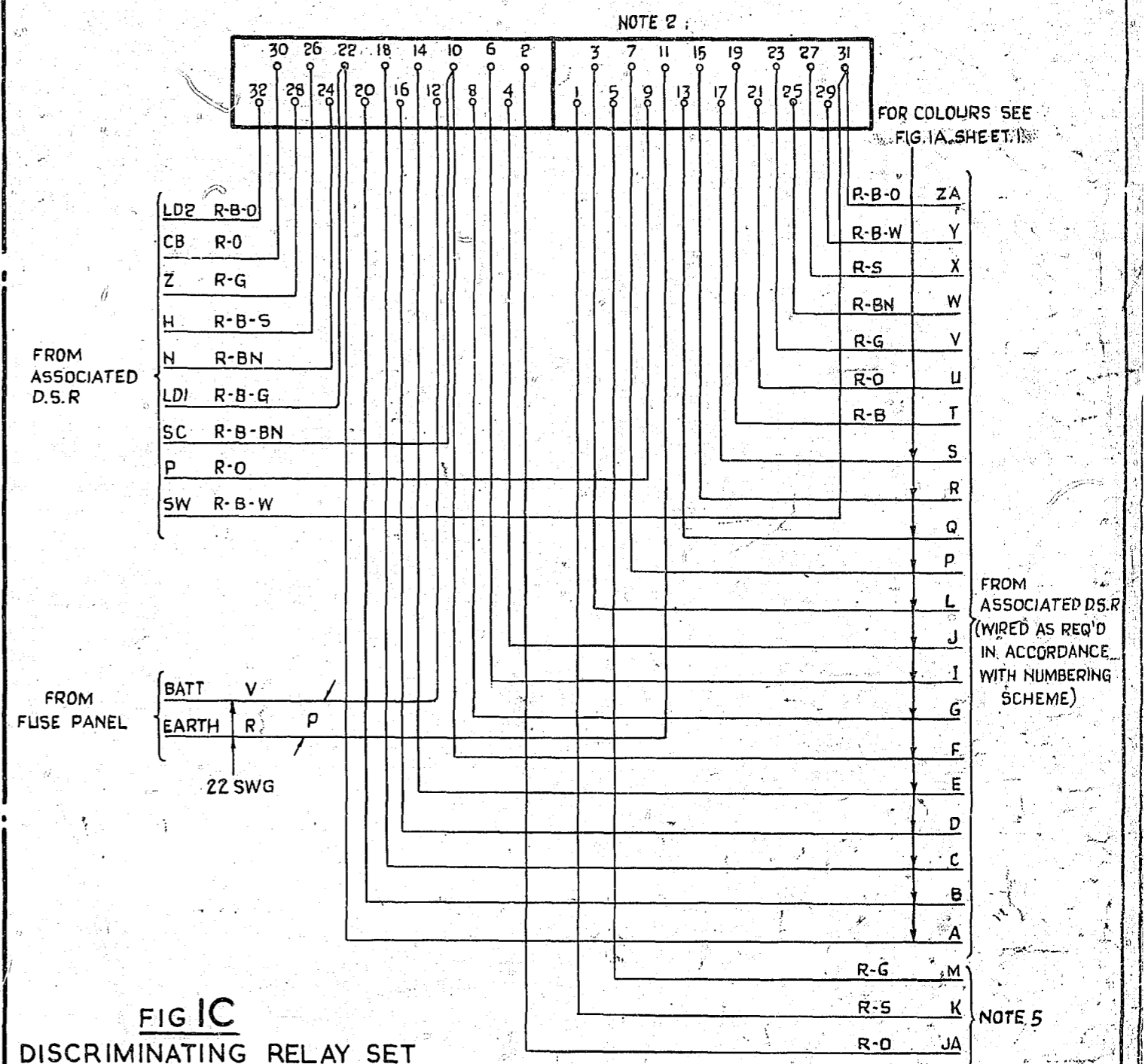
AS SEEN FROM REAR



**FIG 1B**  
DISCRIMINATING RELAY SET

ABSORBS 1ST DIGIT. DISCRIMINATES ON 1ST & 2ND

AS SEEN FROM REAR



**FIG 1C**  
DISCRIMINATING RELAY SET

ABSORBS 1ST & 2ND DIGITS. DISCRIMINATES ON 1ST, 2ND & 3RD  
(ONE CIRCUIT PER BASE)

**NOTES**

- 1 JACK POINTS U9 & 11 U14 & 16 AND U59 & 61 (FIG. 1B) TO MAKE CONTACT WHEN RELAY SET IS REMOVED.
- 2 JACK POINTS U9 & 11 (FIG. 1C) TO MAKE CONTACT WHEN RELAY SET IS REMOVED.
- 3 ALL WIRING TO BE 25 SWG. UNLESS OTHERWISE SPECIFIED.
- 4 LEAD J (FIG. 1B) IS LOOPED TO POINT ON SAME SHELF JACK AS REQUIRED IN ACCORDANCE WITH NUMBERING SCHEME.
- 5 LEADS M, K & JA (FIG. 1C) ARE LOOPED TO POINTS ON SAME SHELF JACK AS REQUIRED IN ACCORDANCE WITH NUMBERING SCHEME.
- 6 ON SOME EARLY EQUIPMENT BATTERY WIRING IS BK.

AMENDMENT PARTICULARS	ISSUE	DATE	APPD	50V	E
10433 ADDED TO DGM; NUMBER (89769)	7	28-8-64	DBH		
WIRE SIZES REVISED (69525)	6	20-11-63	DBH		
NO CHANGE. ISSUE ADVANCED ONLY (41796)	5	26-5-61	DBH		
NOTE 6 & DGM N° 10434 ADDED (13433)	10	27-11-69	RW		
NO CHANGE ISSUE ADVANCED ONLY (46620)	9	31-8-66	DBH		
LD2 DISCRIMINATION LEADS ADDED	8	31-8-66	DBH		

**DISCRIMINATING SELF REPEATER  
COIN BOX  
200 OUTLET  
2000 TYPE**

N.Z. P.O.	M	DRAWN	CHECKED	WIRING	ENGINEERS	GBU	10430	10433	SHEET
							10431	10434	2-3
							10432		

0 5 Centimetres 10 15 20 25 30

AS SEEN FROM REAR

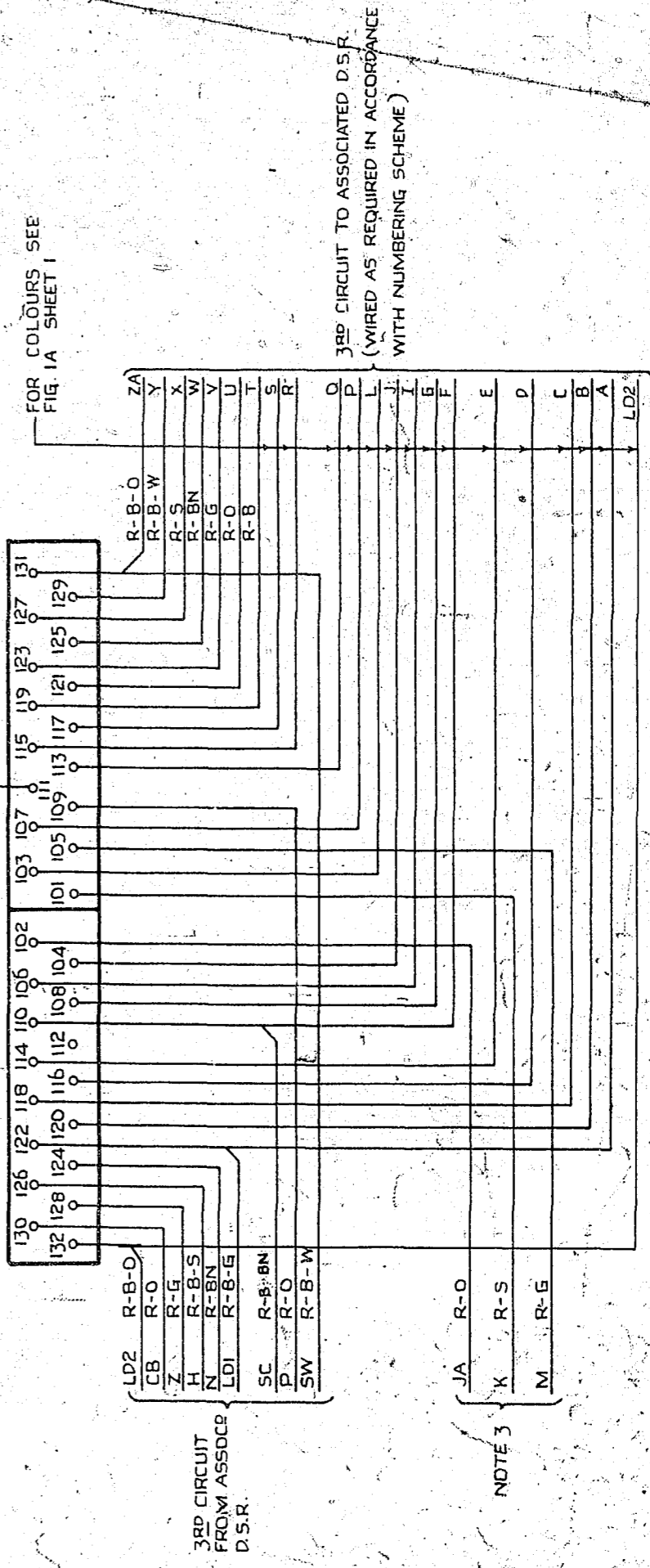
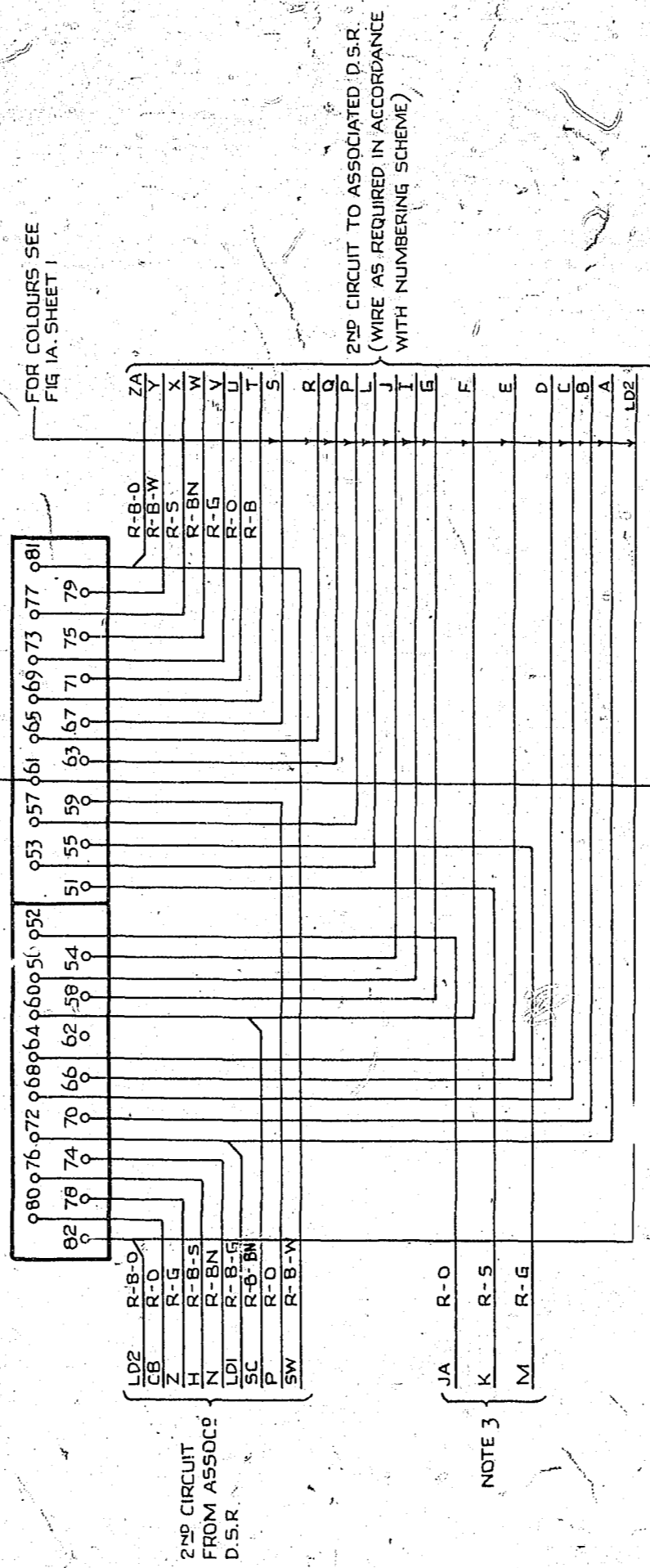
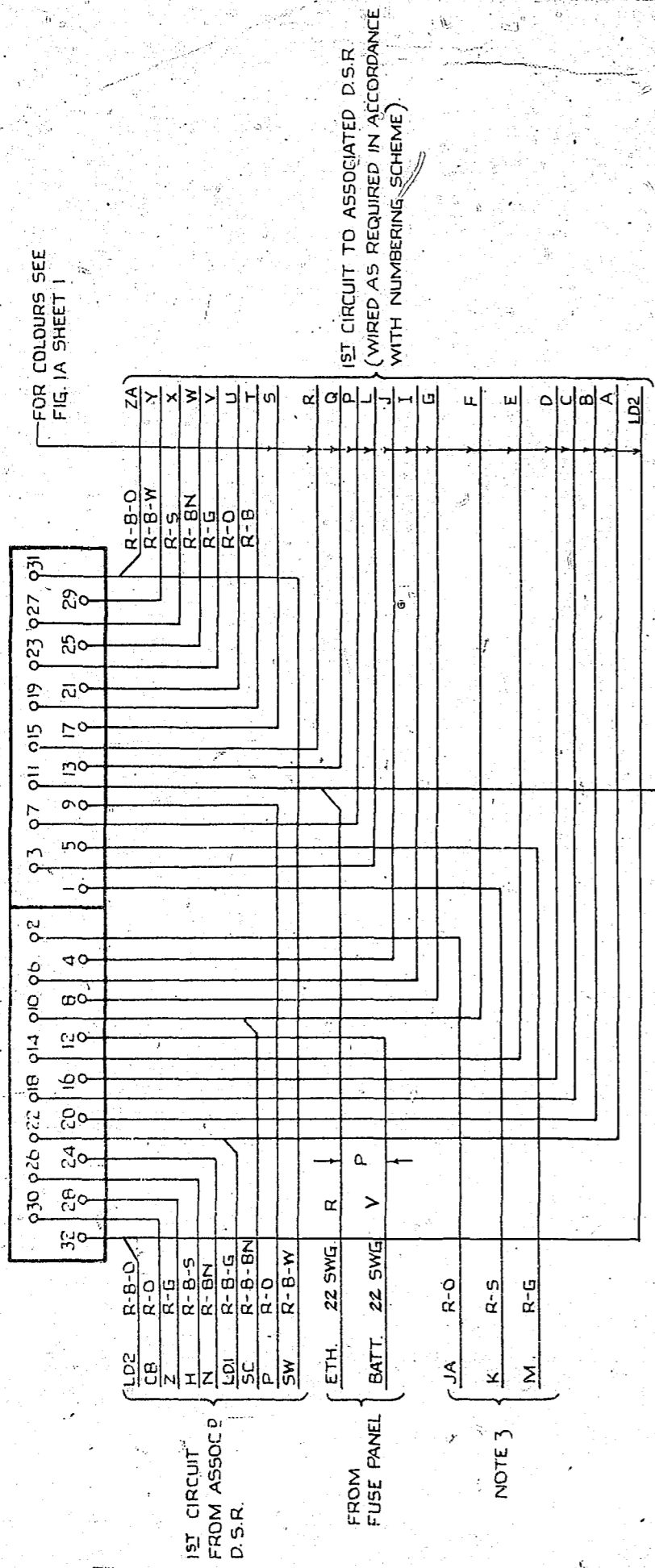


FIG. 1D  
DISCRIMINATING RELAY SET

ABSORBS 1ST & 2ND DIGIT  
DISCRIMINATES ON 1ST, 2ND & 3RD  
(3 CIRCUITS PER BASE)

NOTES

1. ALL WIRING TO BE 25 SWG. UNLESS OTHERWISE SPECIFIED
2. JACK POINTS U9 & U11, U59 & U61, U109 & U111 TO MAKE CONTACT WHEN RELAY SET IS REMOVED.
3. LEADS M, K & JA ARE LOOPED TO POINTS ON SAME SHELF JACK AS REQUIRED IN ACCORDANCE WITH NUMBERING SCHEME.
4. ON SOME EARLY EQUIPMENT BATTERY WIRING IS BK.

AMENDMENT PARTICULARS		ISSUE	DATE	APP'D	50V	E
NOTE 4 & DGM NO 10434 ADDED (13433)		10	27.11.69	Rw		
NO CHANGE ISSUE ADVANCED ONLY (46620)		9	31.8.66	KCH		
LD2 DISCRIMINATION LEADS ADDED		8	31.8.66	KCH		
10433 ADDED TO DGM. NUMBER (89769)		7	28.8.64	XC		
WIRE SIZES REVISED (69525)		6	20.11.63	DBH		
NO CHANGE ISSUE ADVANCED ONLY (41796)		5	26.5.61	WLB		
(31668)		4	4.5.54	CLM		
DISCRIMINATING SEL'R REPEATER COIN BOX 200 OUTLET 2000 TYPE						
GBU. 10430 10433 10431 10434 10432						SHEET 3-3
N.Z. P.O.	DRAWN	CHECKED	WIRING	CIRCUIT		