

Centimetres 0 5 10 15 20 25 30

AS SEEN FROM REAR

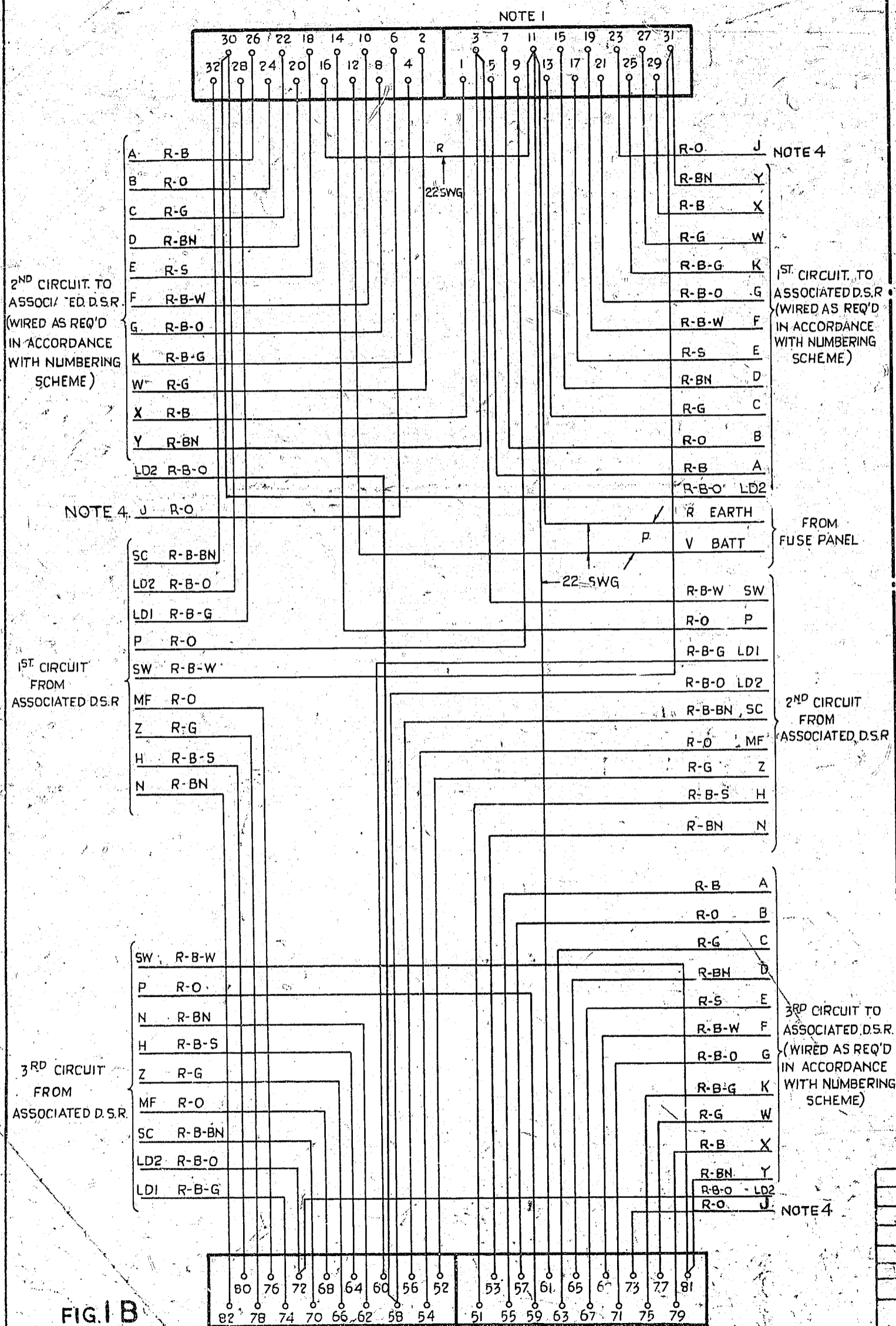


FIG. 1B
DISCRIMINATING RELAY SET.

ABSORBS 1ST DIGIT. DISCRIMINATES ON 1ST & 2ND

AS SEEN FROM REAR

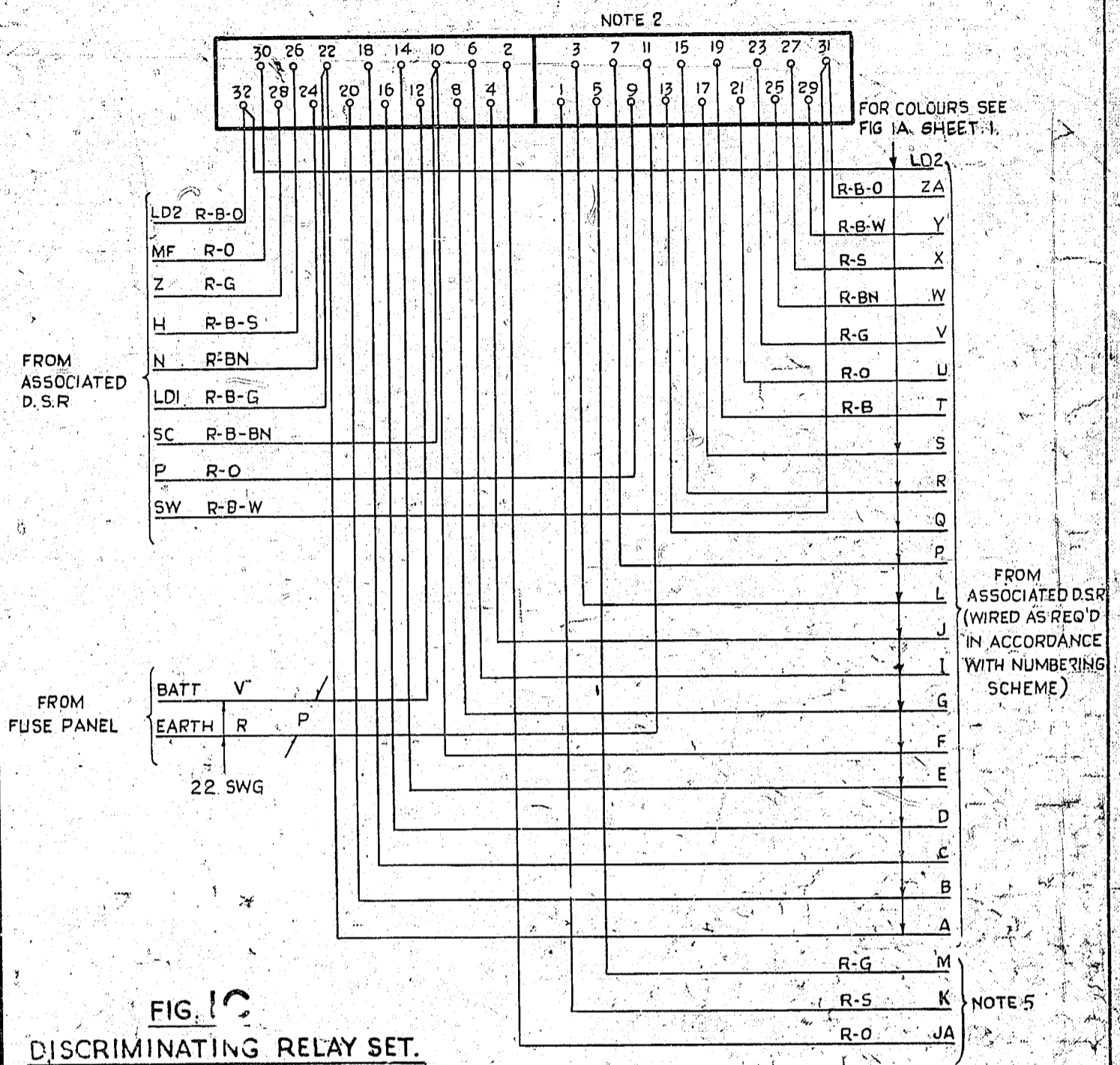


FIG. 1C
DISCRIMINATING RELAY SET.

ABSORBS 1ST & 2ND DIGITS, DISCRIMINATES ON 1ST, 2ND & 3RD.
(ONE CIRCUIT PER BASE)

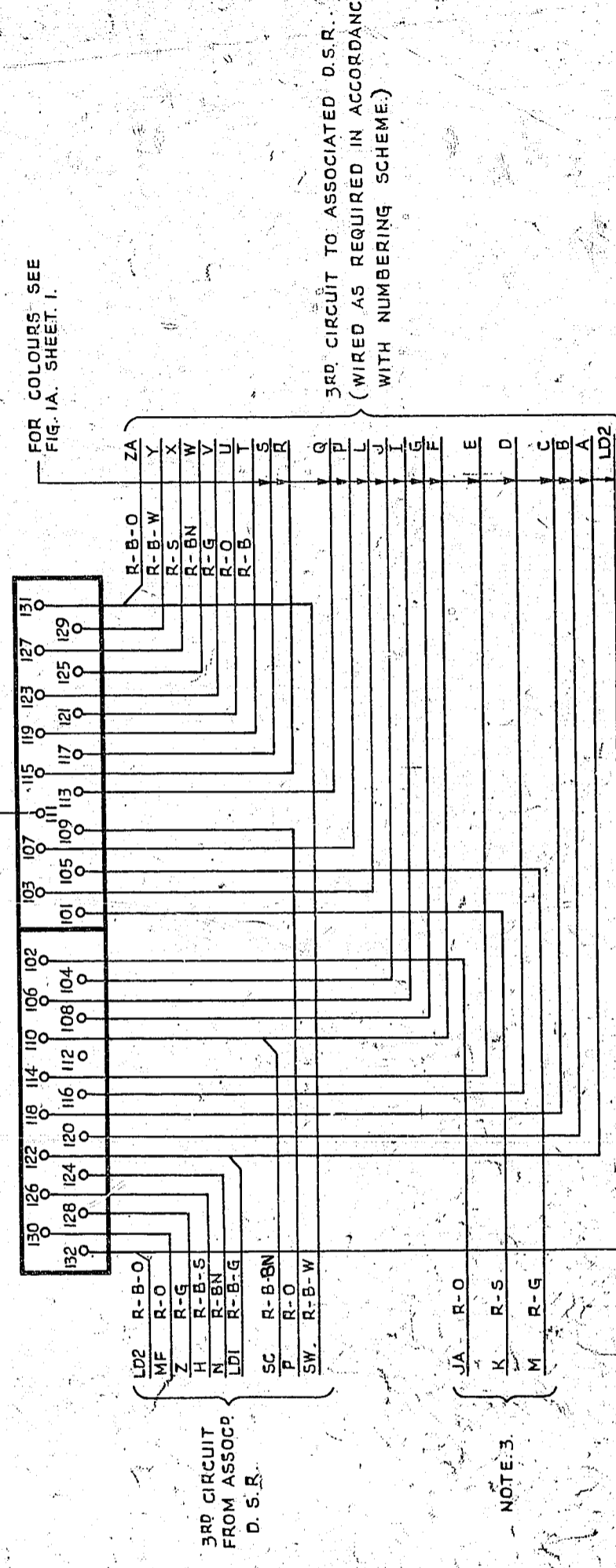
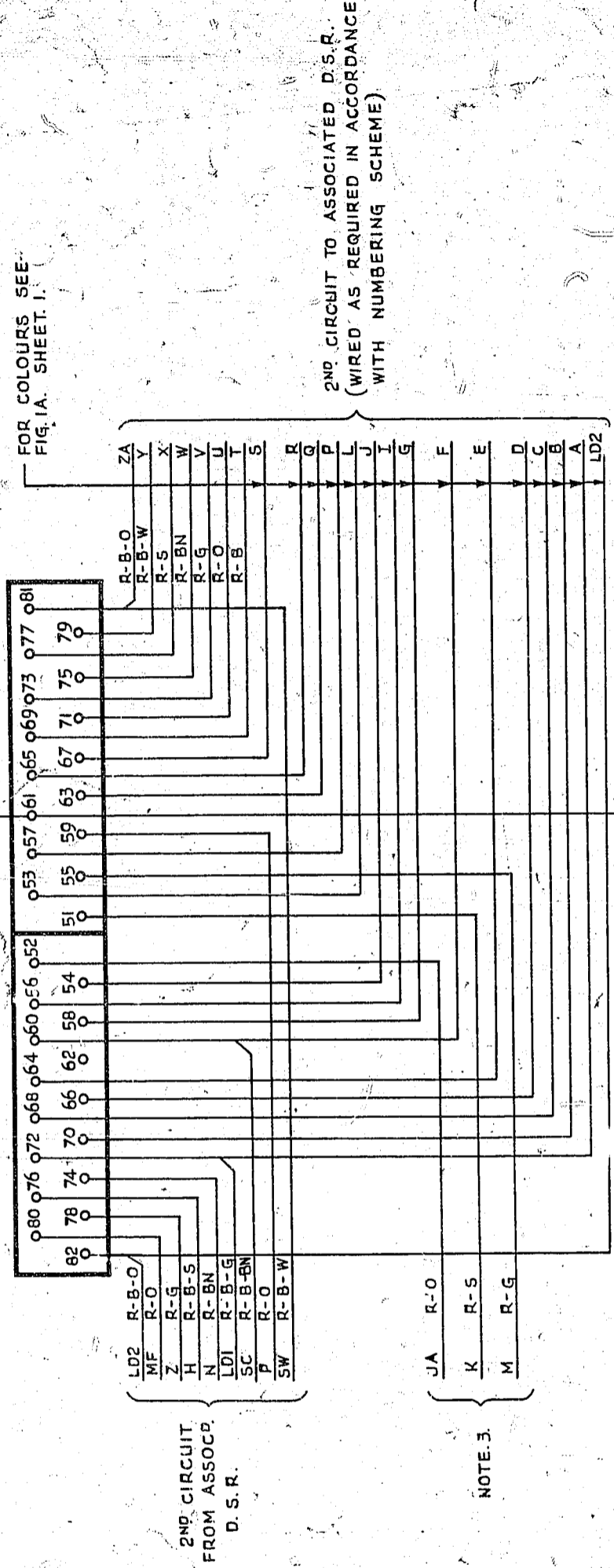
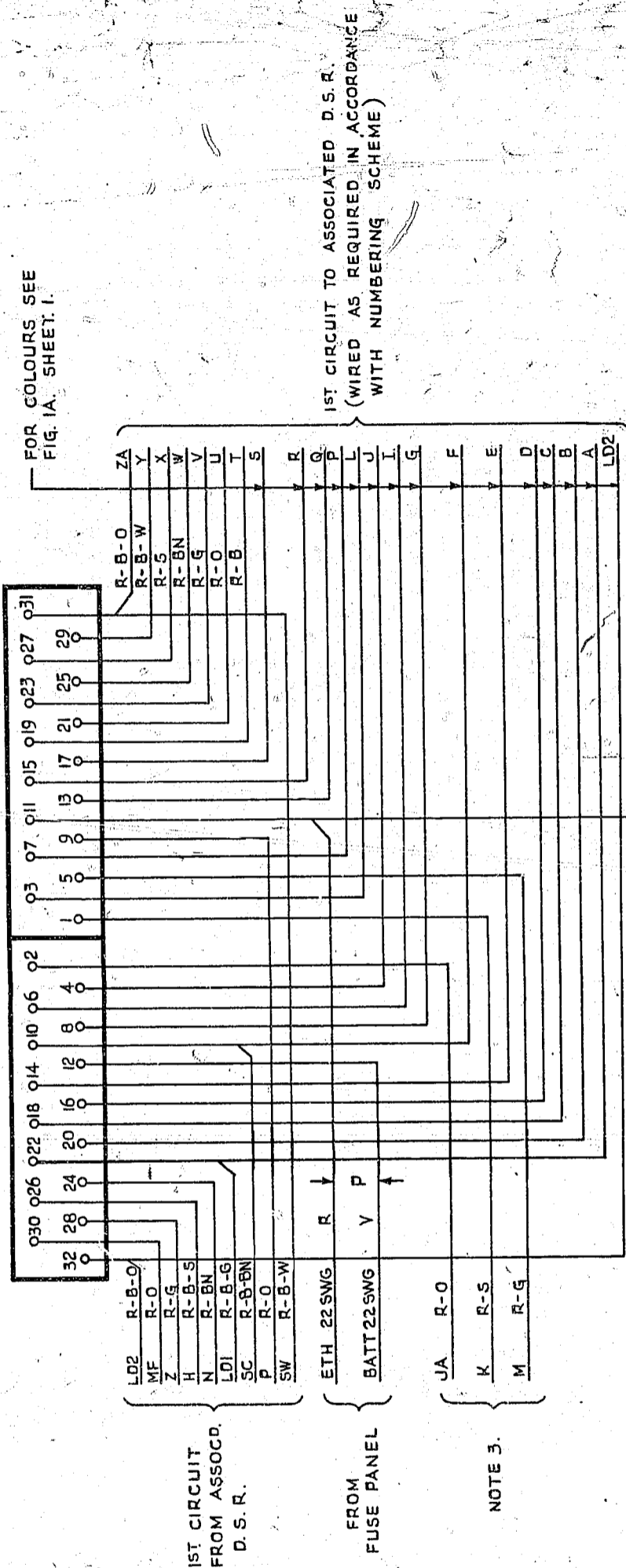
NOTES

- JACK POINTS U9 - 11 U14 & 16 AND U59 & 61 (FIG 1B) TO MAKE CONTACT WHEN RELAY SET IS REMOVED.
- JACK POINTS U9 - 11 (FIG 1C) TO MAKE CONTACT WHEN RELAY SET IS REMOVED.
- ALL WIRING TO BE .25 SWG UNLESS OTHERWISE SPECIFIED.
- LEAD J (FIG 1B) IS LOOPED TO POINT ON SAME SHELF JACK AS REQUIRED IN ACCORDANCE WITH NUMBERING SCHEME.
- LEADS M, K & JA (FIG 1C) ARE LOOPED TO POINTS ON SAME SHELF JACK AS REQUIRED IN ACCORDANCE WITH NUMBERING SCHEME.
- ON SOME EARLY EQUIPMENT WIRING IS BK.

DISCRIMINATING SELF REPEATER				
REGULAR & PARTY LINE				
200 OUTLET				
2000 TYPE				
AMENDMENT PARTICULARS	ISSUED	DATE	APP'D	SOY
NOTE 6 & DGM. N° 10424 ADDED (13/32)	11	25/1/69	RW	
NO CHANGE, ISSUE ADVANCED ONLY (46621)	10	1/9/66		
10423 ADDED TO BGM. NUMBER (89768)	9	3/8/64		
N.Z. P.O.	M	DRAWN	CHECKED	WIRING ENGINEER

0 5 Centimetres 10 15 20 25 30

AS SEEN FROM REAR.



NOTES:-

1. ALL WIRING TO BE 25 SWG. UNLESS OTHERWISE SPECIFIED.
2. JACK-POINTS U9 & U11, U59 & U61, U109 & U111 TO MAKE CONTACT WHEN RELAY SET IS REMOVED.
3. LEADS M, K & JA ARE LOOPED TO POINTS ON SAME SHELF JACK AS REQUIRED IN ACCORDANCE WITH NUMBERING SCHEME.
4. ON SOME EARLY EQUIPMENT BATTERY WIRING IS BK.

NOTE 4 & DGM. N° 10424 ADDED (13432)		11	28-11-69	Rw
NO. CHANGE. ISSUE ADVANCED ONLY (26621)		10	1-9-66	
10423 ADDED TO DGM NUMBER (89768)		9	3-8-64	
NO CHANGE ISSUE ADVANCED ONLY (69524)		8	20-11-63	
ADDITIONAL LD2 LEADS ADDED (63507)		7	12-6-62	
NO CHANGE. ISSUE ADVANCED ONLY (41795)		6	26-5-61	
		(31668)	4-5-54	
AMENDMENT PARTICULARS.		ISSUE	DATE	APPR.
N.Z. P.O.	DRAWN	CHECKED	WIRING	CIRCUIT

DISCRIMINATING SELF REPEATER
REGULAR & PARTY LINE
200 OUTLET
2000-TYPE.

50V E

GBU 10420 10423
10421 10424
10422

SHEET 3-3

FIG. 1D.
DISCRIMINATING RELAY SET.

ABSORBS 1ST & 2ND DIGIT
DISCRIMINATES ON 1ST, 2ND & 3RD
(3 CIRCUITS PER BASE.)