

Centimetres

AS SEEN FROM REAR

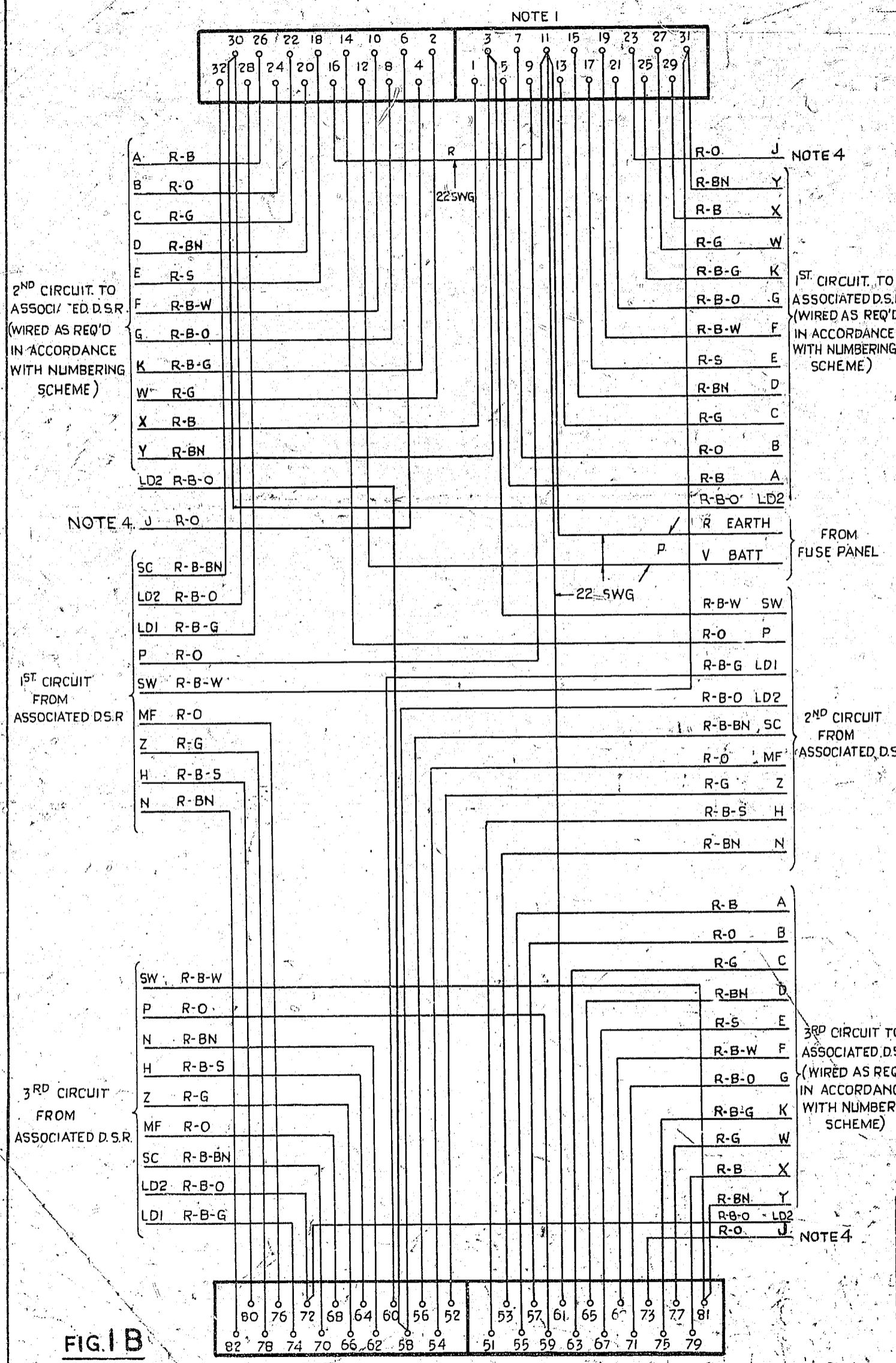


FIG 1B
DISCRIMINATING RELAY SET.

ABSORBS 1ST DIGIT. DISCRIMINATES ON 1ST & 2ND

AS SEEN FROM REAR

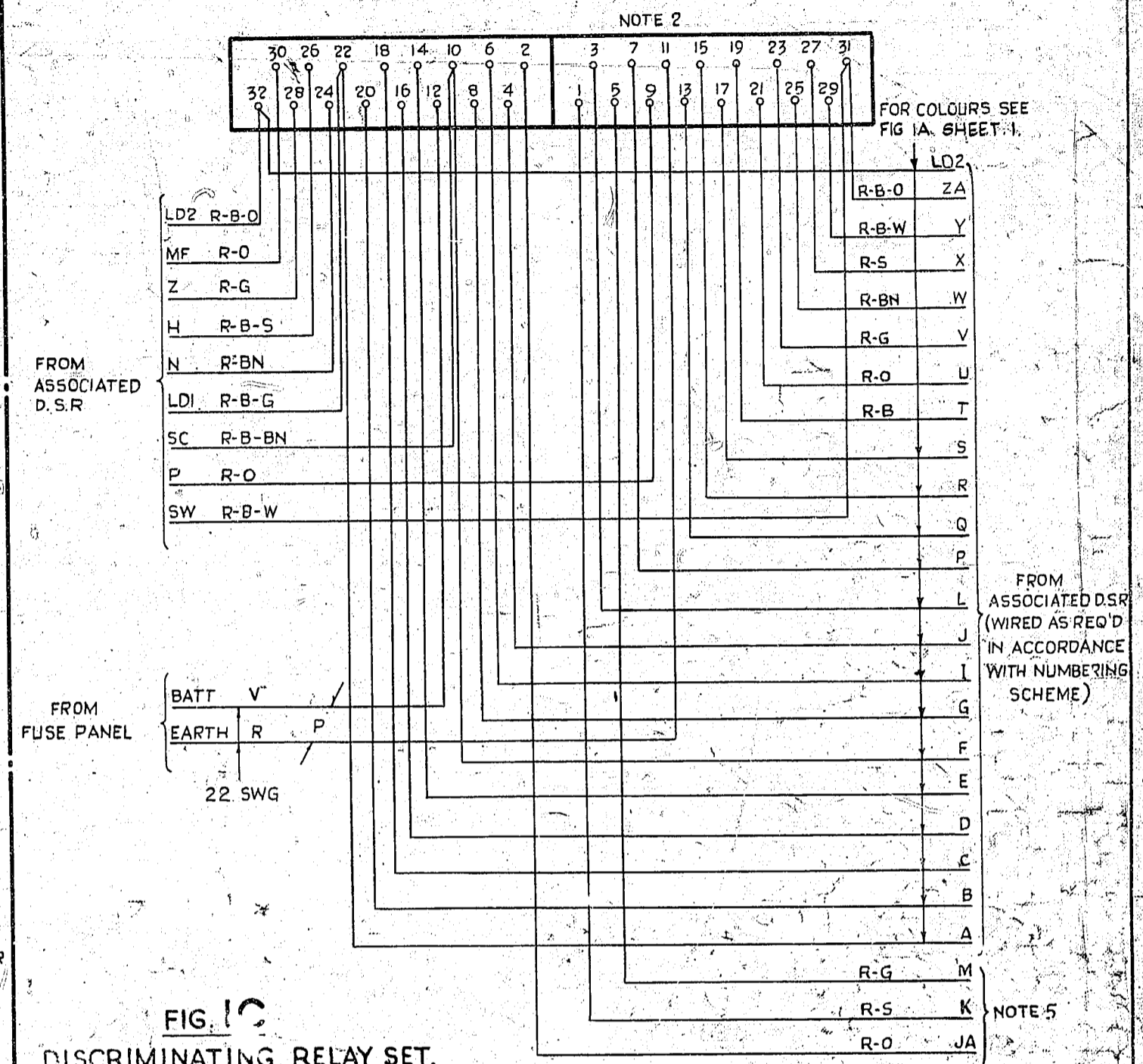


FIG 1C
DISCRIMINATING RELAY SET.

ABSORBS 1ST & 2ND DIGITS, DISCRIMINATES ON 1ST, 2ND & 3RD.

(ONE CIRCUIT PER BASE)

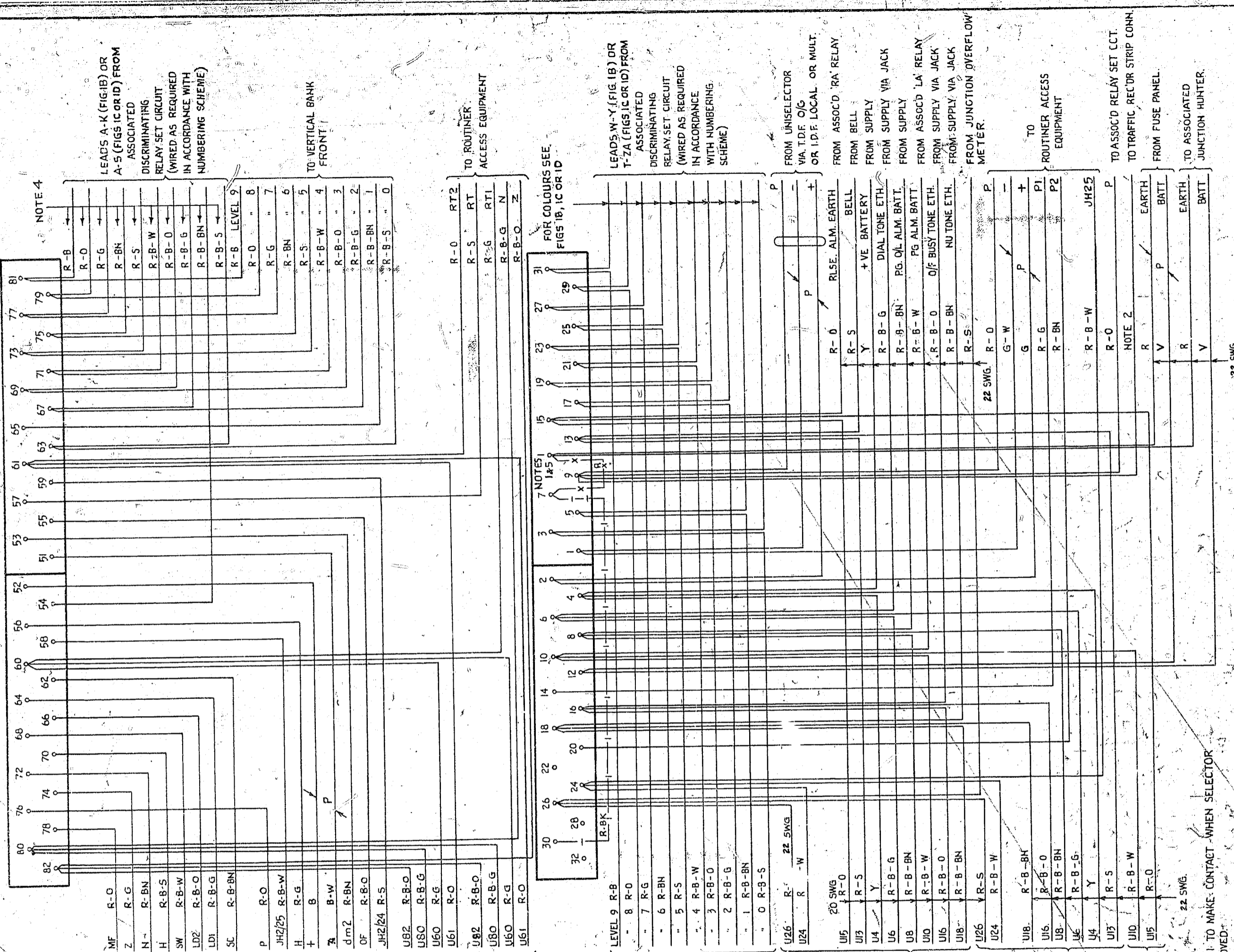
NOTES

- 1 JACK POINTS U9 - 11 U14 & 16 AND U59 & 61 (FIG 1B) TO MAKE CONTACT WHEN RELAY SET IS REMOVED.
- 2 JACK POINTS U9 - 11 (FIG 1C) TO MAKE CONTACT WHEN RELAY SET IS REMOVED.
- 3 ALL WIRING TO BE 25 SWG UNLESS OTHERWISE SPECIFIED.
- 4 LEAD J (FIG 1B) IS LOOPED TO POINT ON SAME SHELF JACK AS REQUIRED IN ACCORDANCE WITH NUMBERING SCHEME.
- 5 LEADS M, K & JA (FIG 1C) ARE LOOPED TO POINTS ON SAME SHELF JACK AS REQUIRED IN ACCORDANCE WITH NUMBERING SCHEME.
- 6 ON SOME EARLY EQUIPMENT WIRING IS BK.

DISCRIMINATING SELR REPEATER			
REGULAR & PARTY LINE			
2000 OUTLET			
2000 TYPE			
AMENDMENT PARTICULARS	ISSUED	DATE	APP'D
NOTE 6 & DGM. N° 10424 ADDED. (13432)	11	25/1/69	RW
NO CHANGE, ISSUE ADVANCED ONLY. (46621)	10	1/9/66	MC
10423 ADDED TO BGM. NUMBER (89768)	9	3/8/64	MC
N.Z. P.O.	M	DRAWN	CHECKED
		WIRING	ENGINEER

GBU 10420 10423
10421 10424
10422 SHEET 2-3

FIG. 1A. E. FOR G.
D.S.R. REGULAR & PARTY LINE.
AS SEEN FROM REAR.



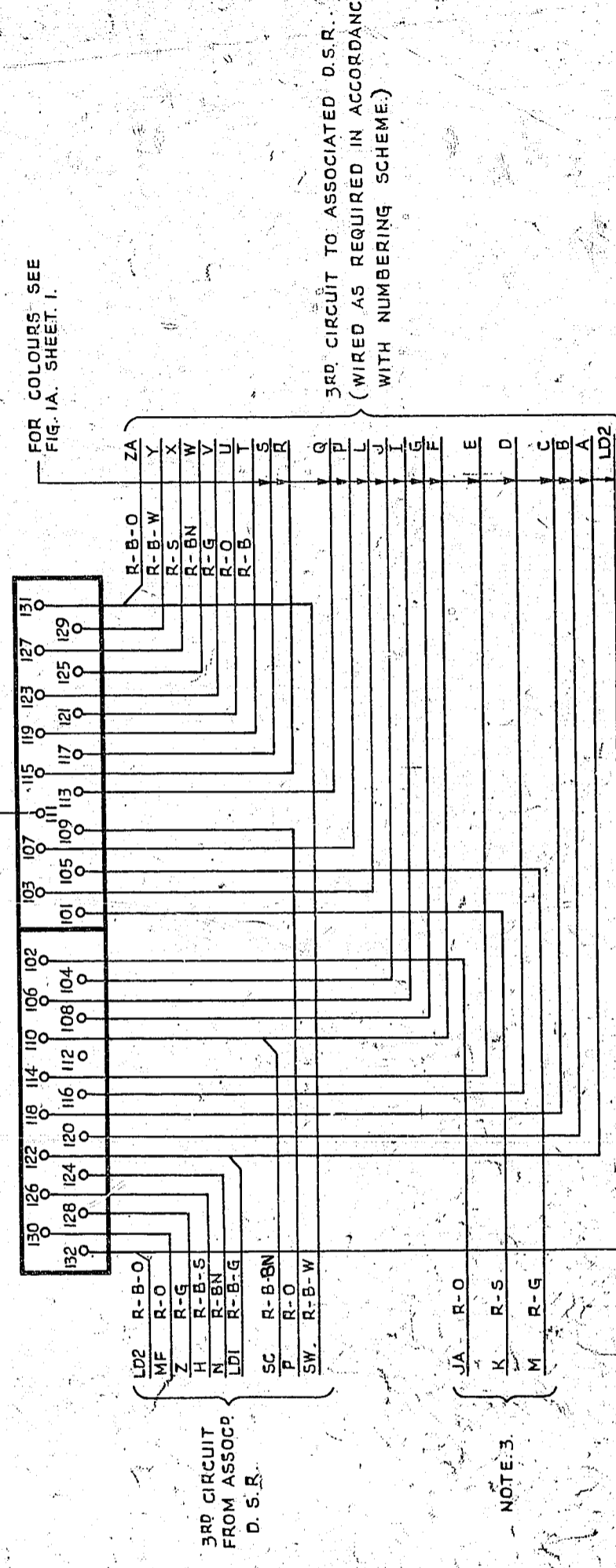
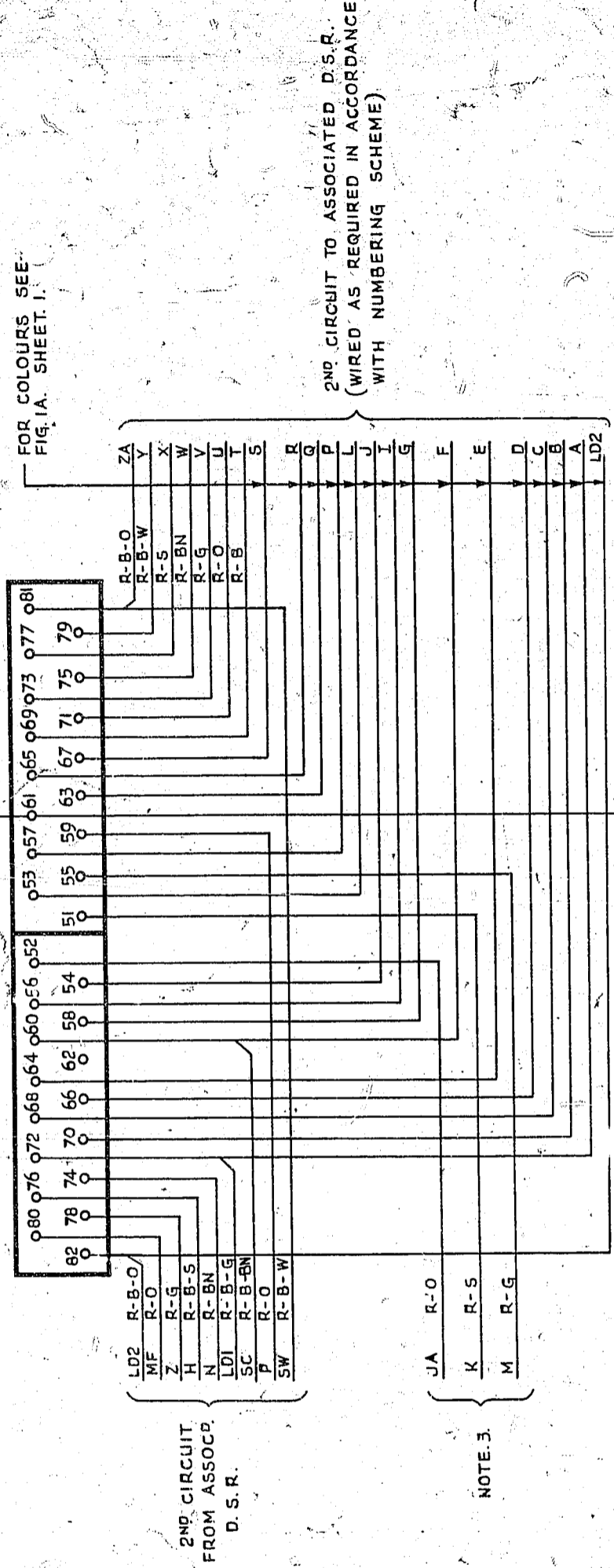
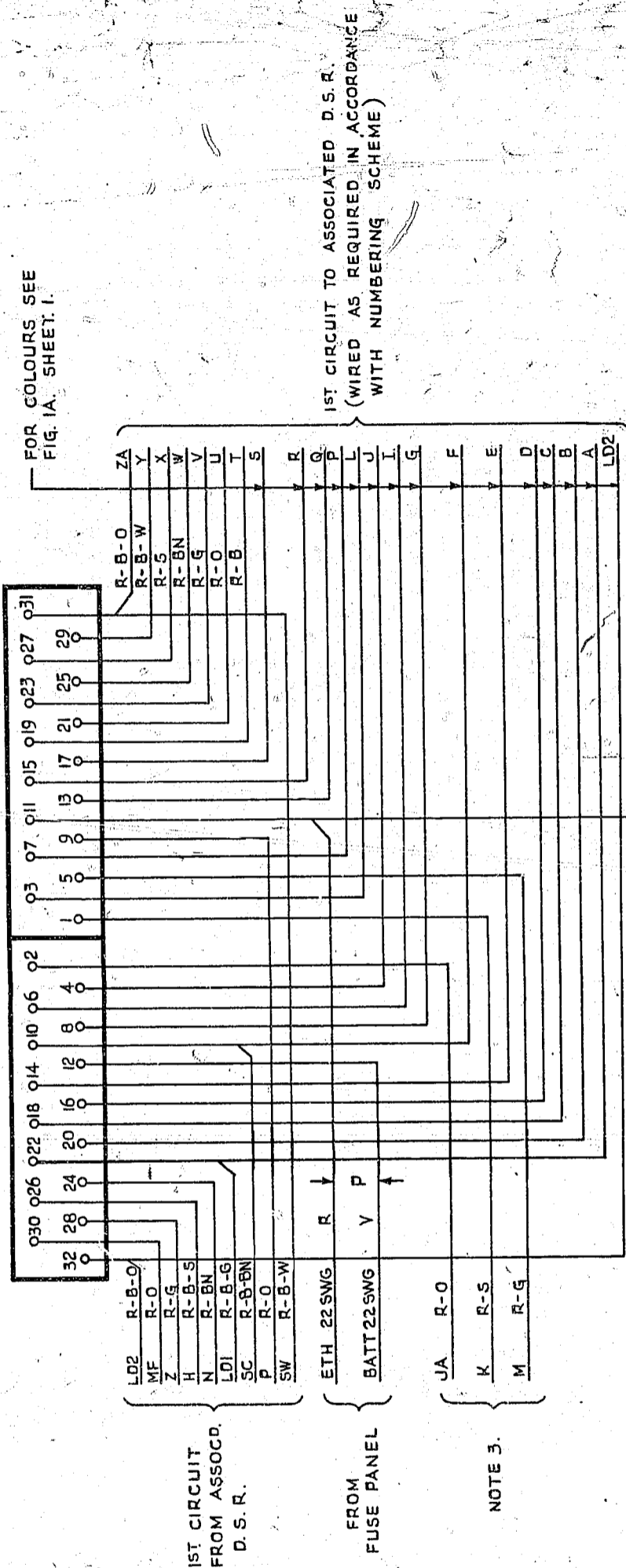
NOTES:
1. U9 & U11 TO MAKE CONTACT WHEN SELECTOR IS REMOVED.
2. COLOUR FOR 1ST. PAIR OF SHELVES R-O R-G
3. ALL WIRE TO BE 23 SWG. UNLESS OTHERWISE SPECIFIED.
4. THESE COLOURS APPLY ONLY WHEN SELECTOR IS USED IN CONDUCTION WITH RELAY SET TO GBW10420/11/12/34F IG. IC OR GBW10422/34F IG. IC WHEN USED WITH FIG 1B SEE GBU10420 FIG 1B FOR COLOURS OF THESE LEADS.

5. ON SHELF JACKS MOUNTING D.S.R.S TO GBW 10421, GBW10422 AND GBW10423 ONLY WHEN METERING IS REQUIRED FOR ADJACENT SATELLITE EXCHANGE WORKING. ADD STRAP U7-U30 AND OMIT STRAP U7-U11. WHEN METERING IS NOT REQ'D, OMIT STRAP U7-U30 AND ADD STRAP U7-U11.
6. ON SOME EARLY EQUIPT. NEG BATT WIRING IS BK AND POS. BATT WIRING IS R-B.

DISCRIMINATING SELF REPEATER REGULAR & PARTY LINE. 200 OUTLET 2000 TYPE				
NOTE 6 & DGM N ^o 10424 ADDED (13432)		11	28-11-69	RW
REF TO I.D.F. MULT ADDED (40621)		10	1-9-66	MB
10423 ADDED TO DGM NUMBER (89768)		9	31-8-64	MT
AMENDMENT PARTICULARS		ISSUE	DATE	APPRO
NZ. P.O.	DRAWN	CHECKED	WIRED	ENGINEER
GBU 10420 10423 10421 10424 10422		SHEET 1-3		

0 5 Centimetres 10 15 20 25 30

AS SEEN FROM REAR.



NOTES:-

- ALL WIRING TO BE 25 SWG. UNLESS OTHERWISE SPECIFIED.
- JACK-POINTS U9 & U11, U59 & U61, U109 & U111 TO MAKE CONTACT WHEN RELAY SET IS REMOVED.
- LEADS M, K & JA ARE LOOPED TO POINTS ON SAME SHELF JACK AS REQUIRED IN ACCORDANCE WITH NUMBERING SCHEME.
- ON SOME EARLY EQUIPMENT BATTERY WIRING IS BK.

AMENDMENT PARTICULARS.	ISSUE	DATE	APPR.
NOTE 4 & DGM. NO 10424 ADDED (13432)	11	28-11-69	Rw
NO CHANGE. ISSUE ADVANCED ONLY (26621)	10	1-9-66	
10423 ADDED TO DGM NUMBER (89768)	9	3-8-64	
NO CHANGE ISSUE ADVANCED ONLY (69524)	8	20-11-63	
ADDITIONAL LD2 LEADS ADDED (63507)	7	12-6-62	
NO CHANGE. ISSUE ADVANCED ONLY (41795)	6	26-5-61	
	(31668)	15	4-5-54

DISCRIMINATING SELF REPEATER
REGULAR & PARTY LINE
200 OUTLET
2000-TYPE.

50V E

GBU 10420 10423
10421 10424
10422

SHEET 3-3

FIG. 1D.
DISCRIMINATING RELAY SET.

ABSORBS 1ST & 2ND DIGIT
DISCRIMINATES ON 1ST, 2ND & 3RD
(3 CIRCUITS PER BASE.)