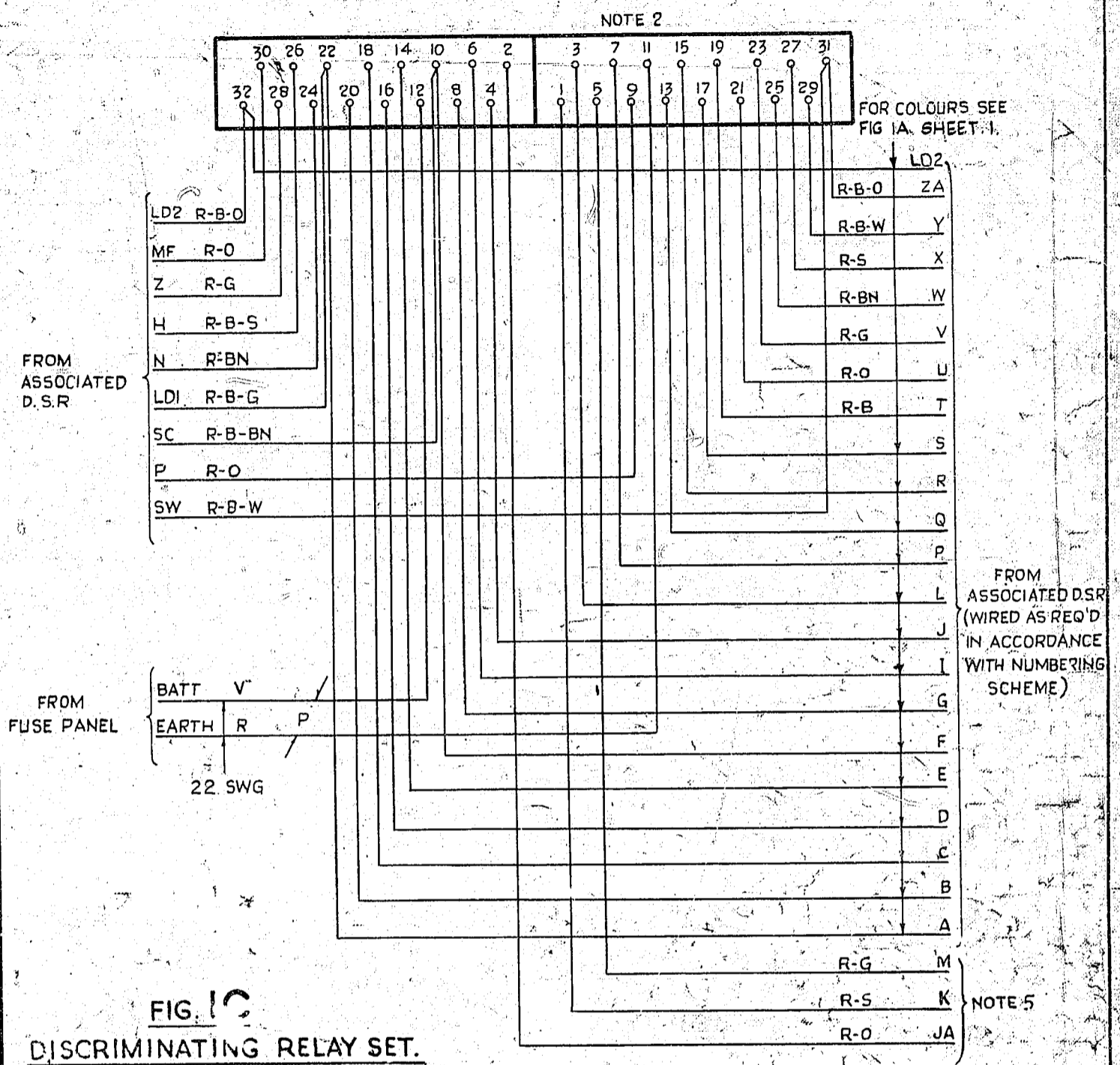
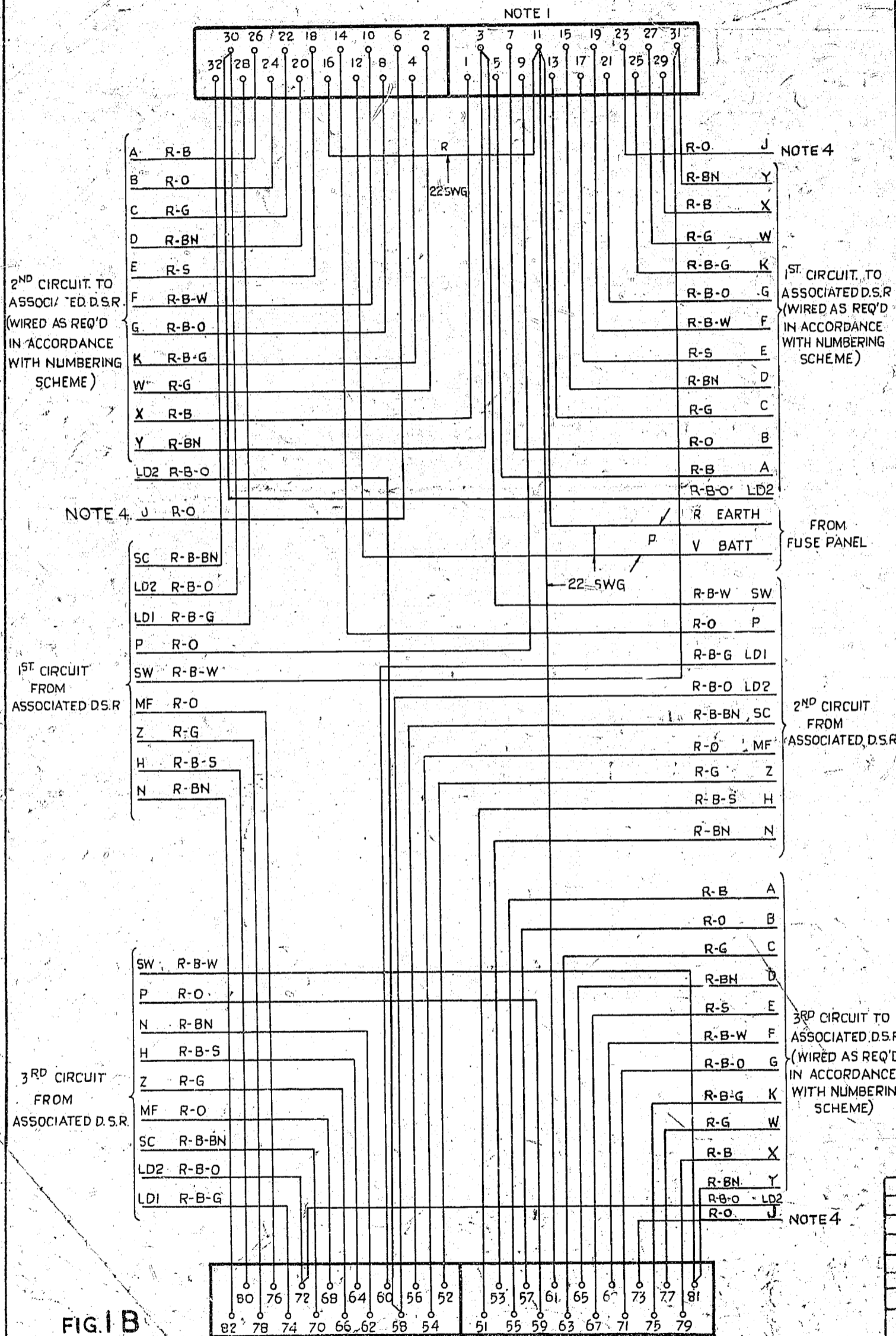


0  
5 Centimetres  
10  
15  
20  
25  
30

AS SEEN FROM REAR

AS SEEN FROM REAR



**FIG. 1C**  
**DISCRIMINATING RELAY SET.**  
ABSORBS 1ST & 2ND DIGITS, DISCRIMINATES ON 1ST, 2ND & 3RD.  
(ONE CIRCUIT PER BASE)

- NOTES**
- 1 JACK POINTS U9 - 11 U14 & 16 AND U59 & 61 (FIG 1B) TO MAKE CONTACT WHEN RELAY SET IS REMOVED.
  - 2 JACK POINTS U9 - 11 (FIG 1C) TO MAKE CONTACT WHEN RELAY SET IS REMOVED.
  - 3 ALL WIRING TO BE 25 SWG UNLESS OTHERWISE SPECIFIED.
  - 4 LEAD J (FIG 1B) IS LOOPED TO POINT ON SAME SHELF JACK AS REQUIRED IN ACCORDANCE WITH NUMBERING SCHEME.
  - 5 LEADS M, K & JA (FIG 1C) ARE LOOPED TO POINTS ON SAME SHELF JACK AS REQUIRED IN ACCORDANCE WITH NUMBERING SCHEME.
  6. ON SOME EARLY EQUIPMENT WIRING IS BK.

**FIG. 1B**  
**DISCRIMINATING RELAY SET.**  
ABSORBS 1ST DIGIT. DISCRIMINATES ON 1ST & 2ND

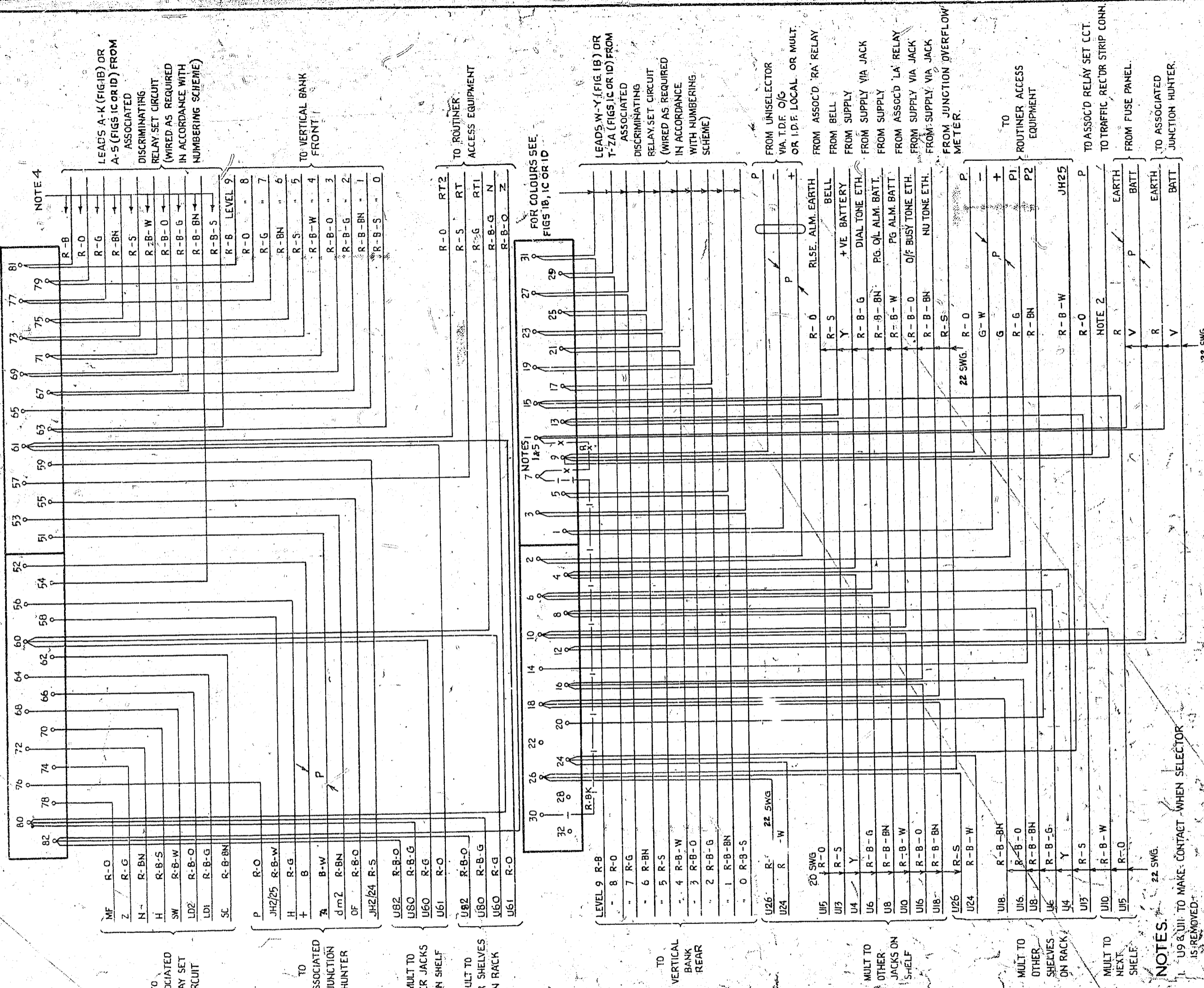
**DISCRIMINATING SELR REPEATER**  
**REGULAR & PARTY LINE**  
**200 OUTLET**  
**2000 TYPE**

NOTE 6 & DGM. N° 10424 ADDED. (13432)	11	25/11/69	RW
NO CHANGE, ISSUE ADVANCED ONLY. (46621)	10	11/9/66	JYC
10423 ADDED TO BGM. NUMBER (89768)	9	31/8/64	JYC
AMENDMENT PARTICULARS	ISSUE	DATE	APP'D
		50V	E
		10420 10423	SHEET 2-5
		10421 10424	
		10422	

**GBU**

N.Z. P.O.	DRAWN	CHECKED	WIRING ENGINEER

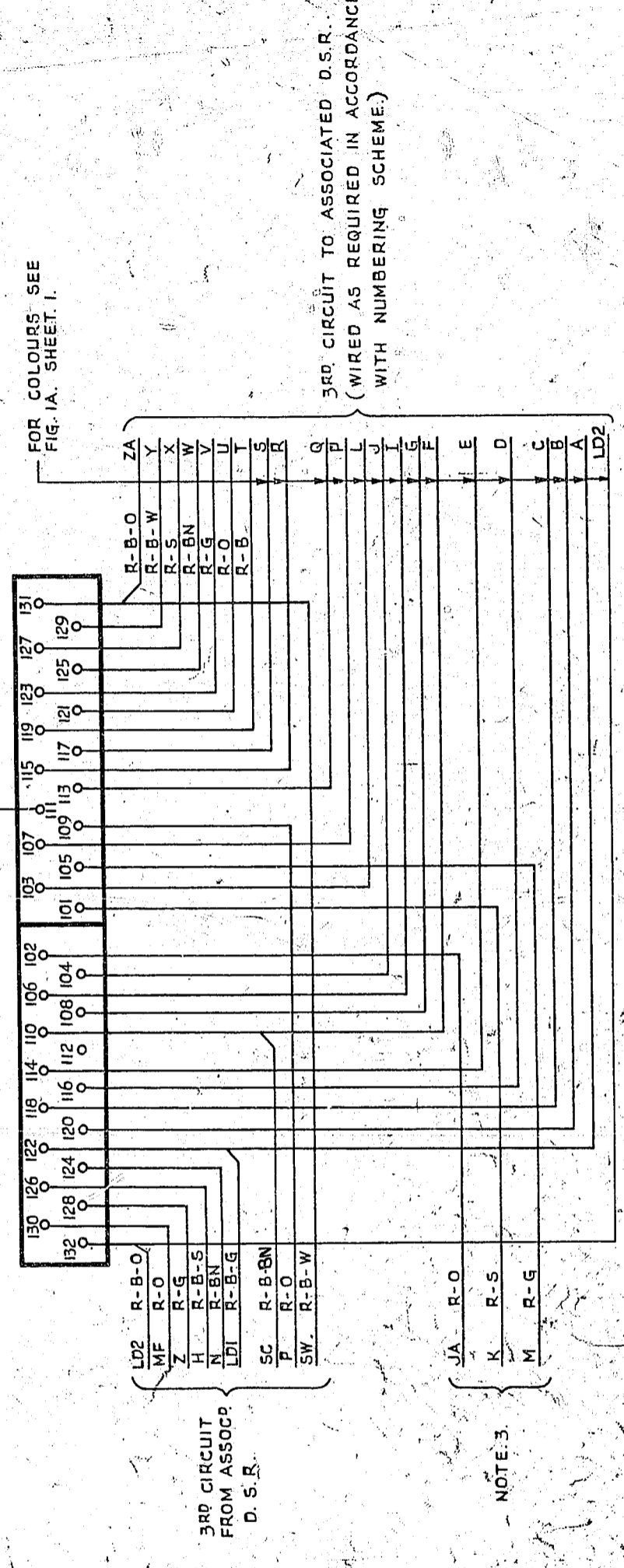
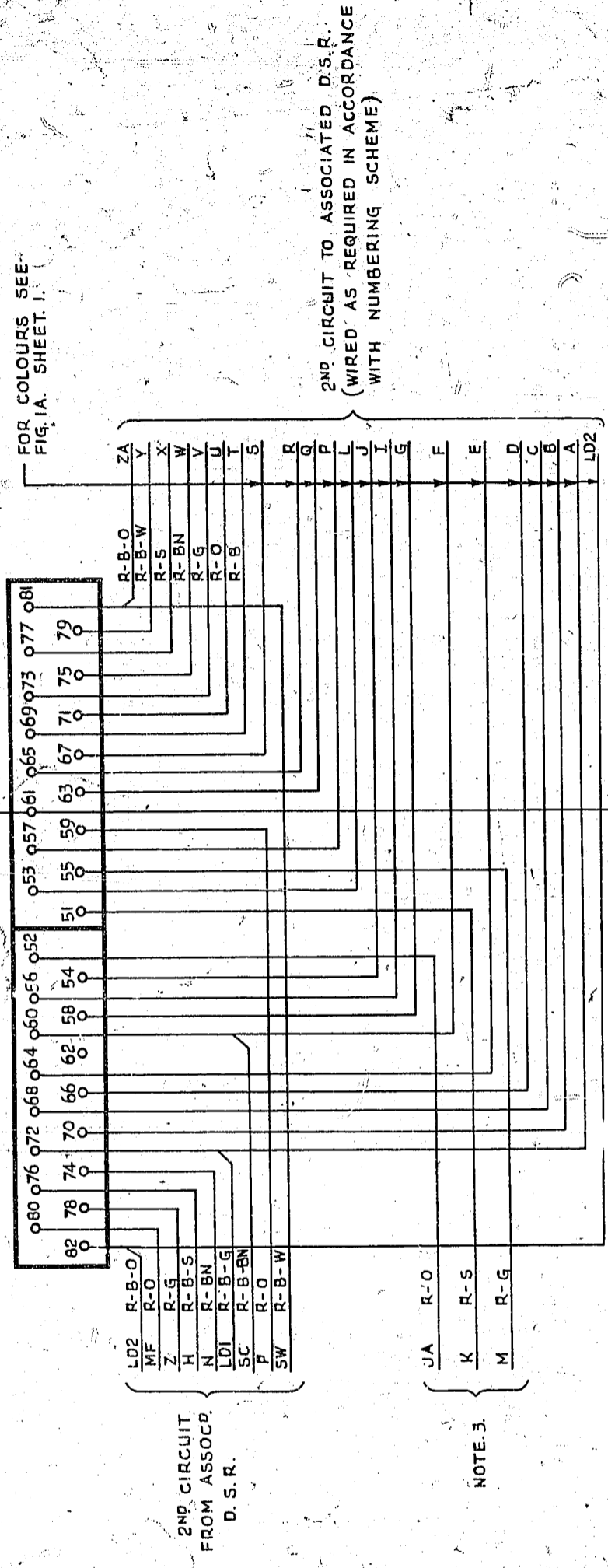
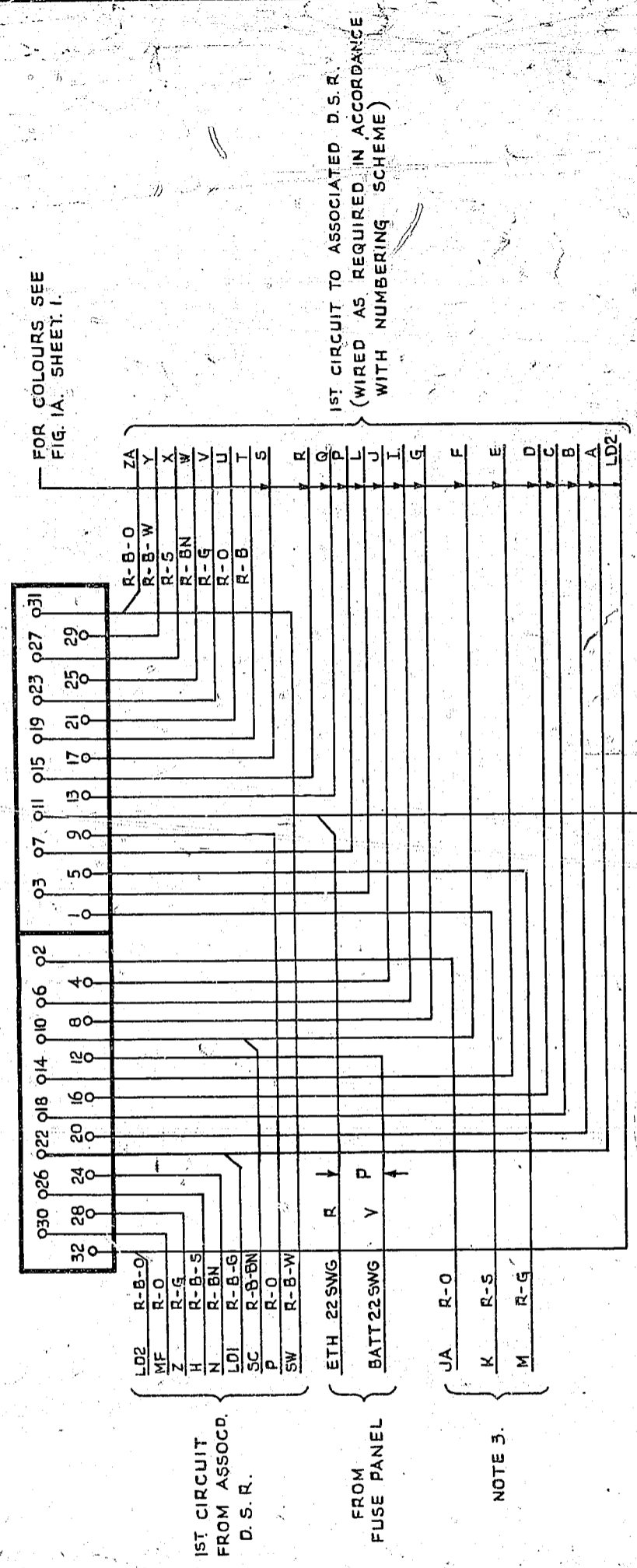
**FIG. 1A, E, FOR I.G.  
D.S.R. REGULAR & PARTY LINE.  
AS SEEN FROM REAR.**



- NOTES.**
- U9 & U11 TO MAKE CONTACT WHEN SELECTOR IS REMOVED.
  - COLOUR FOR 1ST. PAIR OF SHELVES R-O R-G
  - ALL WIRE TO BE 23 SWG. UNLESS OTHERWISE SPECIFIED.
  - THESE COLOURS APPLY ONLY WHEN SELECTOR IS USED IN CONDUCTION WITH RELAY SET TO GBW 10420/11/234F I.G. OR GBW 10422/234F I.G. ID WHEN USED WITH FIG 1B SEE GBU 10420 FIG 1B FOR COLOURS OF THESE LEADS.
  - ON SHELF JACKS MOUNTING D.S.R.S TO GBW 10421/GBW 10422 AND GBW 10423 ONLY WHEN METERING IS REQUIRED FOR ADJACENT SATELLITE EXCHANGE WORKING. ADD STRAP U7-U30 AND OMIT STRAP U7-U11. STRAP U7-U11.
  - ON SOME EARLY EQUIPT. NEG BATT WIRING IS BK AND POS. BATT WIRING IS R-B.

DISCRIMINATING SELF REPEATER REGULAR & PARTY LINE 200 OUTLET 2000 TYPE					
NOTE 6 & DGM N <sup>o</sup> 10424 ADDED (13432)	11	28-11-69	RW		
REF TO I.D.F. MULT ADDED (26621)	10	1-9-66			
10423 ADDED TO DGM NUMBER (89768)	9	31-8-64			
AMENDMENT PARTICULARS	ISSUE	DATE	APPD		
NZ. P.O.	DRAWN	CHECKED	WIRED	ENGINEER	
					GBU 10420 10423 10421 10424 10422
					SHEET 1-3

AS SEEN FROM REAR.



NOTES:-

1. ALL WIRING TO BE 25 SWG. UNLESS OTHERWISE SPECIFIED.
2. JACK-POINTS U9 & U11, U59 & U61, U109 & U111 TO MAKE CONTACT WHEN RELAY SET IS REMOVED.
3. LEADS M, K & JA ARE LOOPED TO POINTS ON SAME SHELF JACK AS REQUIRED IN ACCORDANCE WITH NUMBERING SCHEME.
4. ON SOME EARLY EQUIPMENT BATTERY WIRING IS BK.

AMENDMENT PARTICULARS.	ISSUE	DATE	APPR.
NOTE 4 & DGM. N° 10424 ADDED (13432)	11	28-11-69	Rw
NO. CHANGE. ISSUE ADVANCED ONLY (26621)	10	1-9-66	
10423 ADDED TO DGM NUMBER (89768)	9	3-8-64	
NO CHANGE ISSUE ADVANCED ONLY (69524)	8	20-11-63	
ADDITIONAL LD2 LEADS ADDED (63507)	7	12-6-62	
NO CHANGE. ISSUE ADVANCED ONLY (41795)	6	26-5-61	
	(31668)	15	4-5-54

DISCRIMINATING SELF REPEATER	
REGULAR & PARTY LINE	
200 OUTLET	
2000-TYPE.	
50V	E
GBU 10420 10423	SHEET 3-3
10421 10424	
10422	

FIG. 1D.  
DISCRIMINATING RELAY SET.

ABSORBS 1ST & 2ND DIGIT  
DISCRIMINATES ON 1ST, 2ND & 3RD  
(3 CIRCUITS PER BASE.)

FOR COLOURS SEE FIG. 1A, SHEET 1.

1ST CIRCUIT TO ASSOCIATED D.S.R. (WIRED AS REQUIRED IN ACCORDANCE WITH NUMBERING SCHEME)

FOR COLOURS SEE FIG. 1A, SHEET 1.

2ND CIRCUIT TO ASSOCIATED D.S.R. (WIRED AS REQUIRED IN ACCORDANCE WITH NUMBERING SCHEME)

FOR COLOURS SEE FIG. 1A, SHEET 1.

3RD CIRCUIT TO ASSOCIATED D.S.R. (WIRED AS REQUIRED IN ACCORDANCE WITH NUMBERING SCHEME)